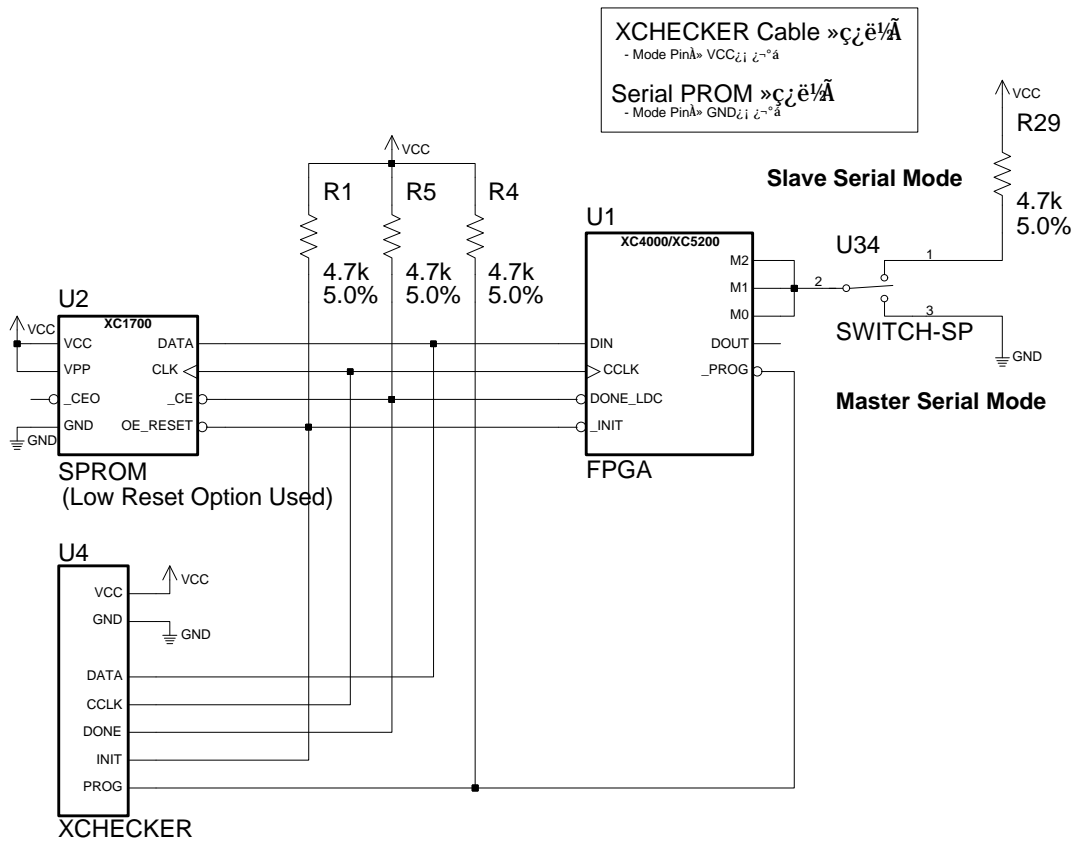


FPGA의 Serial PROM / X-Checker Cable



SPROM
(Low Reset Option Used)

XCHECKER

M0	M1	M2	
0	0	0	MASTER
1	1	1	SLAVE
1	1	1	X-Checker

=====

- * SPARTAN Device Mode pin M0, M1, M2 No Connection
- * Device Pin name Underscore Active LOW
- * DONE_LDC DONE pin / LDC pin
- * XC1700 Serial PROM RESET, OE ROM Writer
- * 2K - 10K

Hyun Myung Electronics Co., Ltd.
+82-2-3141-0147
hmkor@hmelec.co.kr

Project: CONFIG
Sheet: CONFIG6
Date: 10/03/98