

## Chapter 4

# Design Elements (CAPTURE\_VIRTEX to DECODE64)

This chapter describes design elements included in the Unified Libraries. The elements are organized in alphanumeric order with all numeric suffixes in ascending order.

Information on the specific architectures supported by each of the following libraries is contained under the Applicable Architectures section of the Unified Libraries Chapter.

- [XC3000 Library](#)
- [XC4000E Library](#)
- [XC4000X Library](#)
- [XC5200 Library](#)
- [XC9000 Library](#)
- [Spartan Library](#)
- [SpartanXL Library](#)
- [Virtex Library](#)

**Note:** Wherever *XC4000* is mentioned, the information applies to all architectures supported by the XC4000E and XC4000X libraries.

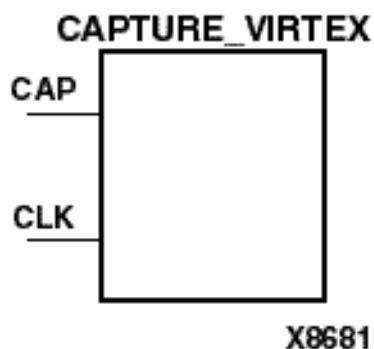
**Note:** Wherever *Spartans* or *Spartan series* is mentioned, the information applies to all architectures supported by the Spartan and SpartanXL libraries.

Schematics are included for each library if the implementation differs. Design elements with bused or multiple I/O pins (2-, 4-, 8-, 16-bit versions) typically include just one schematic — generally the 8-bit version. When only one schematic is included, implementation of the smaller and larger elements differs only in the number of sections. In cases where an 8-bit version is very large, an appropriate smaller element serves as the schematic example.

## CAPTURE\_VIRTEX

### Virtex Register State Capture for Bitstream Readback

XC3000	XC4000 E	XC4000 X	XC5200	XC9000	Spartan	Spartan XL	Virtex
N/A	N/A	N/A	N/A	N/A	N/A	N/A	Primitive



CAPTURE\_VIRTEX provides user control over when to capture register (flip-flop and latch) information for readback. Virtex provides the readback function through dedicated configuration port instructions, instead of with a READBACK component as in other FPGA architectures. The CAPTURE\_VIRTEX symbol is optional. Without it readback is still performed, but the asynchronous capture function it provides for register states is not available.

**Note:** Virtex only allows for capturing register (flip-flop and latch) states. Although LUT RAM, SRL, and block RAM states are read back, they cannot be captured.

An asserted High CAP signal indicates that the registers in the device are to be captured at the next Low-to-High clock transition. The Low-to-High clock transition triggers the capture clock (CLK) which clocks out the readback data.

Two BitGen options control when capture can occur.

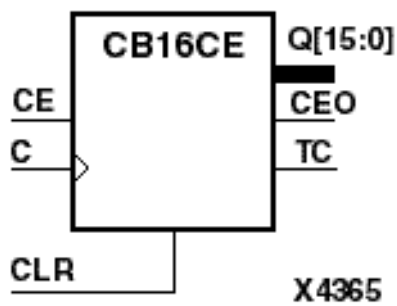
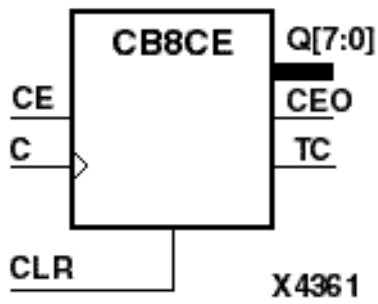
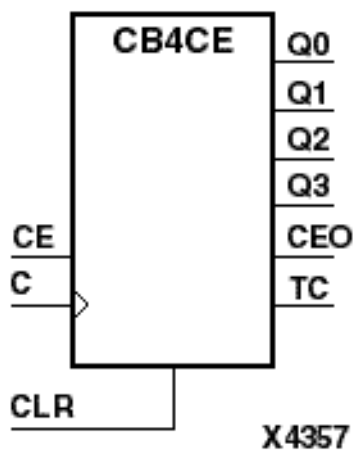
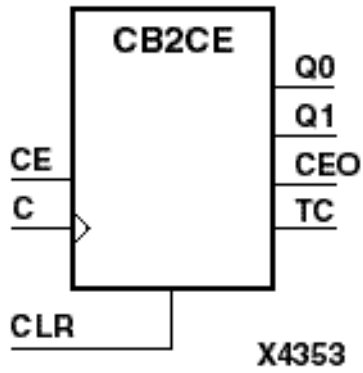
- When ONESHOT mode is set, only a single capture of registers for readback is allowed. After a trigger (transition on CLK while CAP is asserted), all register information is captured and no additional captures can occur until the readback operation is completed.
- When CONTINUOUS mode is set, data is captured after every trigger (transition on CLK while CAP is asserted).

For details on the Virtex readback function, refer to the Xilinx web site, <http://www.xilinx.com>.

## CB2CE, CB4CE, CB8CE, CB16CE

### 2-, 4-, 8-, 16-Bit Cascadable Binary Counters with Clock Enable and Asynchronous Clear

XC3000	XC4000 E	XC4000 X	XC5200	XC9000	Spartan	Spartan XL	Virtex
Macro	Macro	Macro	Macro	Macro	Macro	Macro	Macro



CB2CE, CB4CE, CB8CE, and CB16CE are, respectively, 2-, 4-, 8-, and 16-bit (stage), asynchronous, clearable, cascadable binary counters. The asynchronous clear (CLR) is the highest priority input. When CLR is High, all other

inputs are ignored; the Q outputs, terminal count (TC), and clock enable out (CEO) go to logic level zero, independent of clock transitions. The Q outputs increment when the clock enable input (CE) is High during the Low-to-High clock (C) transition. The counter ignores clock transitions when CE is Low. The TC output is High when all Q outputs are High.

Larger counters are created by connecting the CEO output of the first stage to the CE input of the next stage and connecting the C and CLR inputs in parallel. CEO is active (High) when TC and CE are High. The maximum length of the counter is determined by the accumulated CE-to-TC propagation delays versus the clock period. The clock period must be greater than  $n(t_{CE-TC})$ , where  $n$  is the number of stages and the time  $t_{CE-TC}$  is the CE-to-TC propagation delay of each stage. When cascading counters, use the CEO output if the counter uses the CE input; use the TC output if it does not.

The counter is asynchronously cleared, outputs Low, when power is applied. For CPLDs, the power-on condition can be simulated by applying a High-level pulse on the PRLD global net. FPGAs simulate power-on when global reset (GR) or global set/reset (GSR) is active. GR for XC3000 is active-Low. GR for XC5200 and GSR (XC4000, Spartans, Virtex) default to active-High but can be inverted by adding an inverter in front of the GR/GSR input of the STARTUP or STARTUP\_VIRTEX symbol.

Inputs			Outputs		
CLR	CE	C	Qz – Q0	TC	CEO
1	X	X	0	0	0
0	0	X	No Chg	No Chg	0
0	1	↑	Inc	TC	CEO

z= 1 for CB2CE; z = 3 for CB4CE; z = 7 for CB8CE; z = 15 for CB16CE

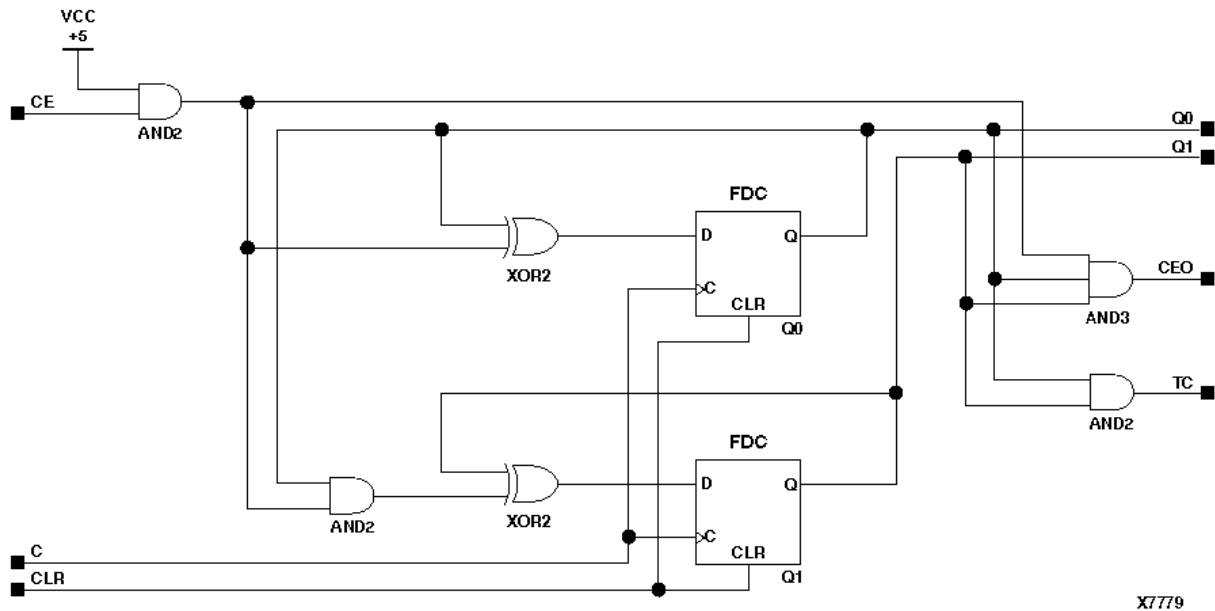
$TC = Qz \bullet Q(z-1) \bullet Q(z-2) \bullet \dots \bullet Q0$

$CEO = TC \bullet CE$

Figure 4-1CB8CE Implementation XC3000, XC4000, XC5200, Spartans, Virtex

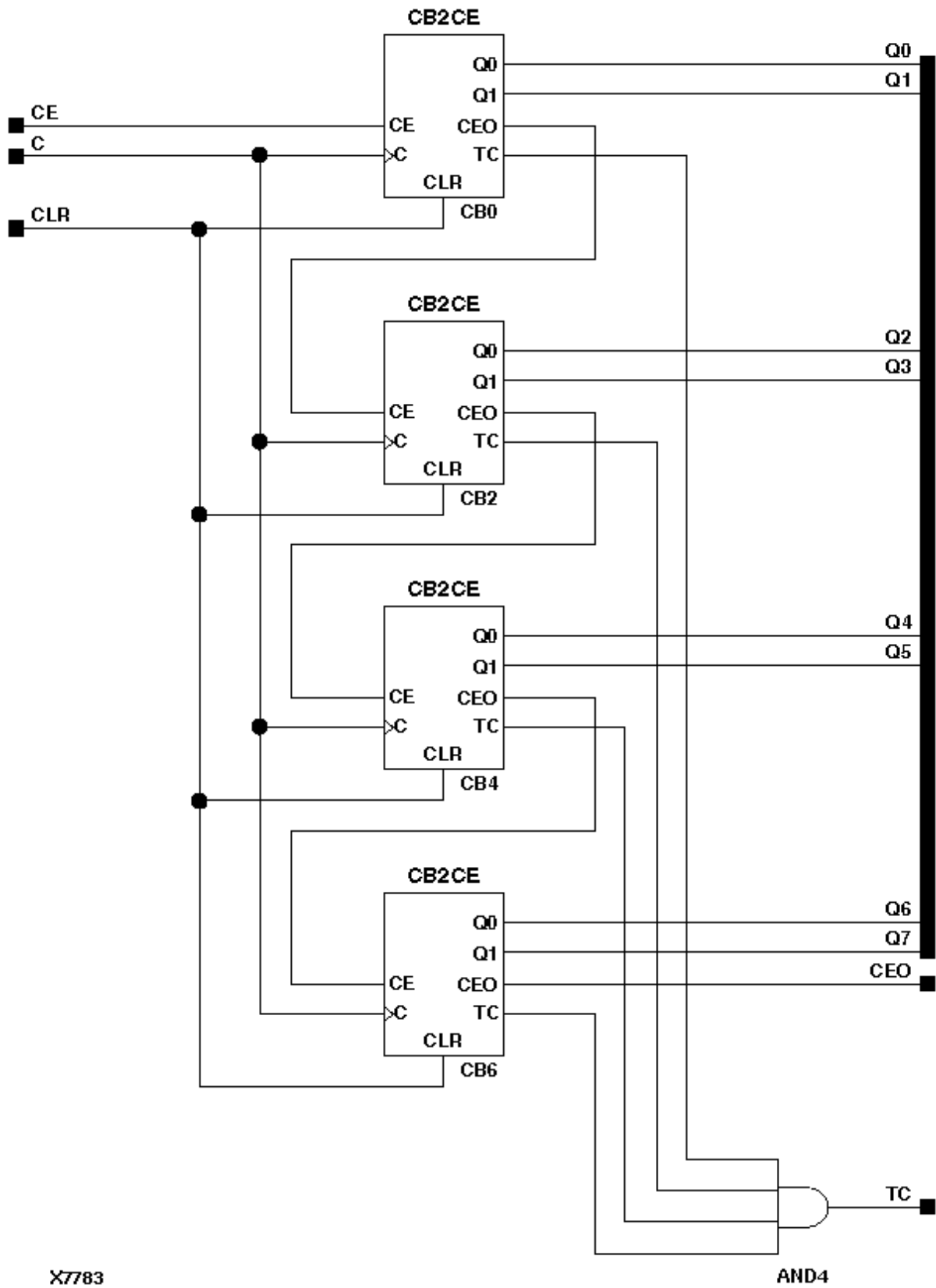


Figure 4-2CB2CE Implementation XC9000



X7779

Figure 4-3CB8CE Implementation XC9000

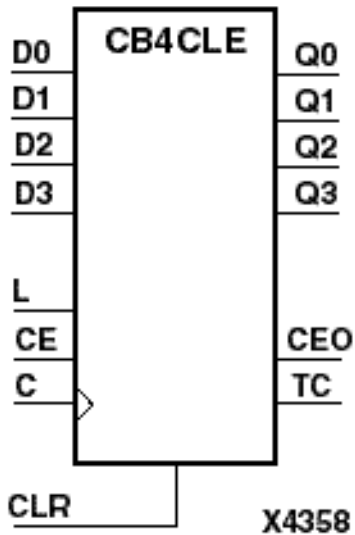
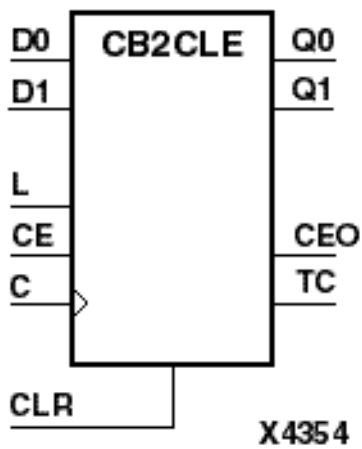


X7783

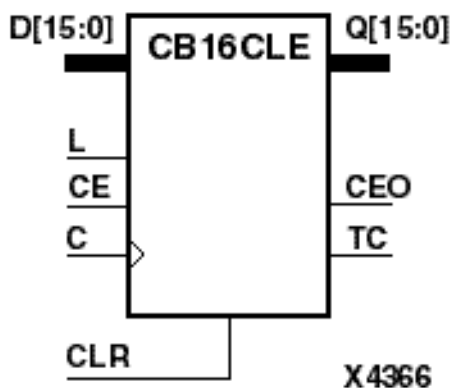
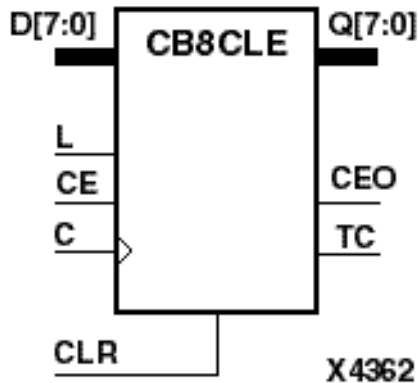
## CB2CLE, CB4CLE, CB8CLE, CB16CLE

2-, 4-, 8-, 16-Bit Loadable Cascadable Binary Counters with Clock Enable and Asynchronous Clear

XC3000	XC4000 E	XC4000 X	XC5200	XC9000	Spartan	Spartan XL	Virtex
Macro	Macro	Macro	Macro	Macro	Macro	Macro	Macro







CB2CLE, CB4CLE, CB8CLE, and CB16CLE are, respectively, 2-, 4-, 8-, and 16-bit (stage) synchronously loadable, asynchronously clearable, cascadable binary counters. The asynchronous clear (CLR) is the highest priority input. When CLR is High, all other inputs are ignored; the Q outputs, terminal count (TC), and clock enable out (CEO) go to logic level zero, independent of clock transitions. The data on the D inputs is loaded into the counter when the load enable input (L) is High during the Low-to-High clock transition, independent of the state of clock enable (CE). The Q outputs increment when CE is High during the Low-to-High clock transition. The counter ignores clock transitions when CE is Low. The TC output is High when all Q outputs are High.

Larger counters are created by connecting the CEO output of the first stage to the CE input of the next stage and connecting the C, L, and CLR inputs in parallel. CEO is active (High) when TC and CE are High. The maximum length of the counter is determined by the accumulated CE-to-TC propagation delays versus the clock period. The clock period must be greater than  $n(t_{CE-TC})$ , where  $n$  is the number of stages and the time  $t_{CE-TC}$  is the CE-to-TC propagation delay of each stage. When cascading counters, use the CEO output if the counter uses the CE input; use the TC output if it does not.

The counter is asynchronously cleared, output Low, when power is applied. For CPLDs, the power-on condition can be simulated by applying a High-level pulse on the PRLD global net. FPGAs simulate power-on when global reset (GR) or global set/reset (GSR) is active. GR for XC3000 is active-Low. GR for XC5200 and GSR (XC4000, Spartans, Virtex) default to active-High but can be inverted by adding an inverter in front of the GR/GSR input of the STARTUP or STARTUP\_VIRTEX symbol.

Inputs				Outputs			
CLR	L	CE	C	Dz – D0	Qz – Q0	TC	CEO
1	X	X	X	X	0	0	0
0	1	X	↑	Dn	dn	TC	CEO
0	0	0	X	X	No Chg	No Chg	0
0	0	1	↑	X	Inc	TC	CEO

$z= 1$  for CB2CLE;  $z = 3$  for CB4CLE;  $z = 7$  for CB8CLE;  $z = 15$  for CB16CLE

dn = state of referenced input (Dn) one setup time prior to active clock transition.

$$TC = Qz \bullet Q(z-1) \bullet Q(z-2) \bullet \dots \bullet Q0$$

$$CEO = TC \bullet CE$$

Figure 4-4CB8CLE Implementation XC3000



**Figure 4-5CB8CLE Implementation XC4000, XC5200, Spartans, Virtex**

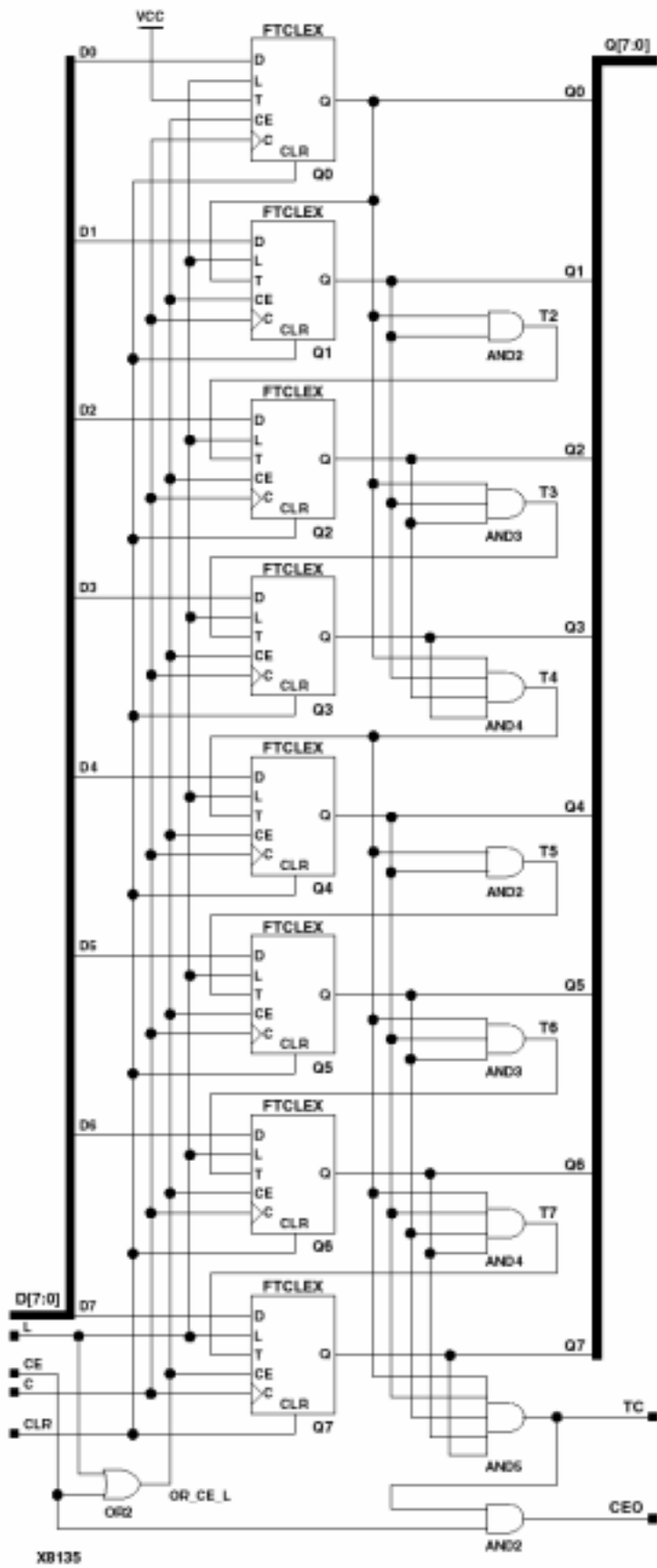


Figure 4-6 CB2CLE Implementation XC9000

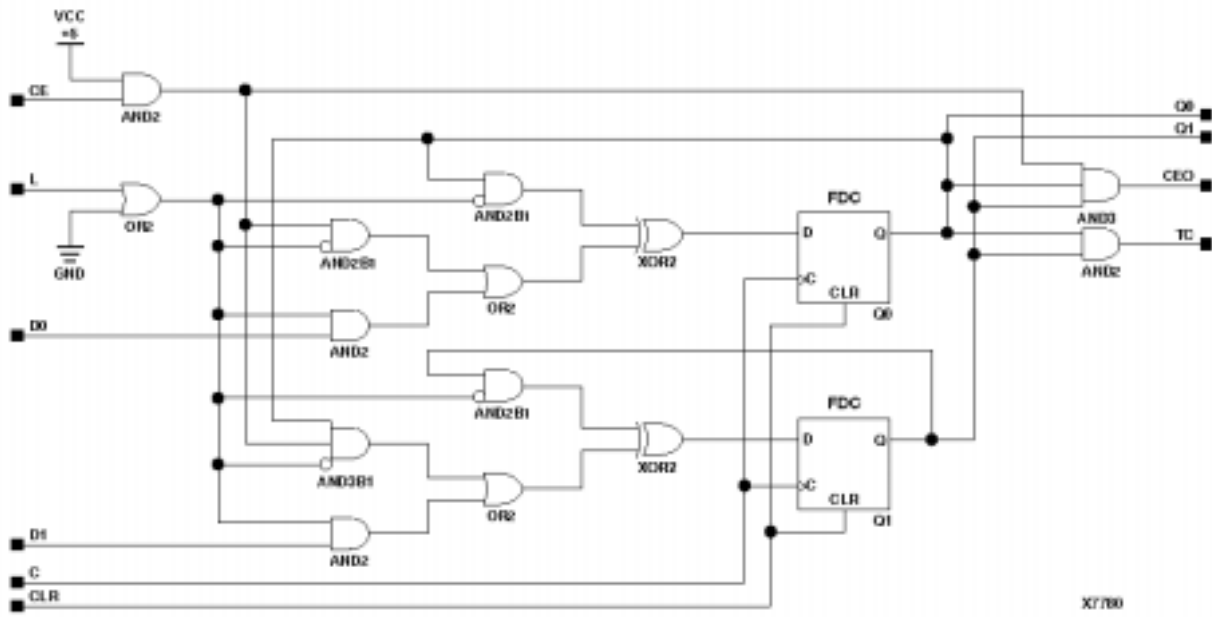
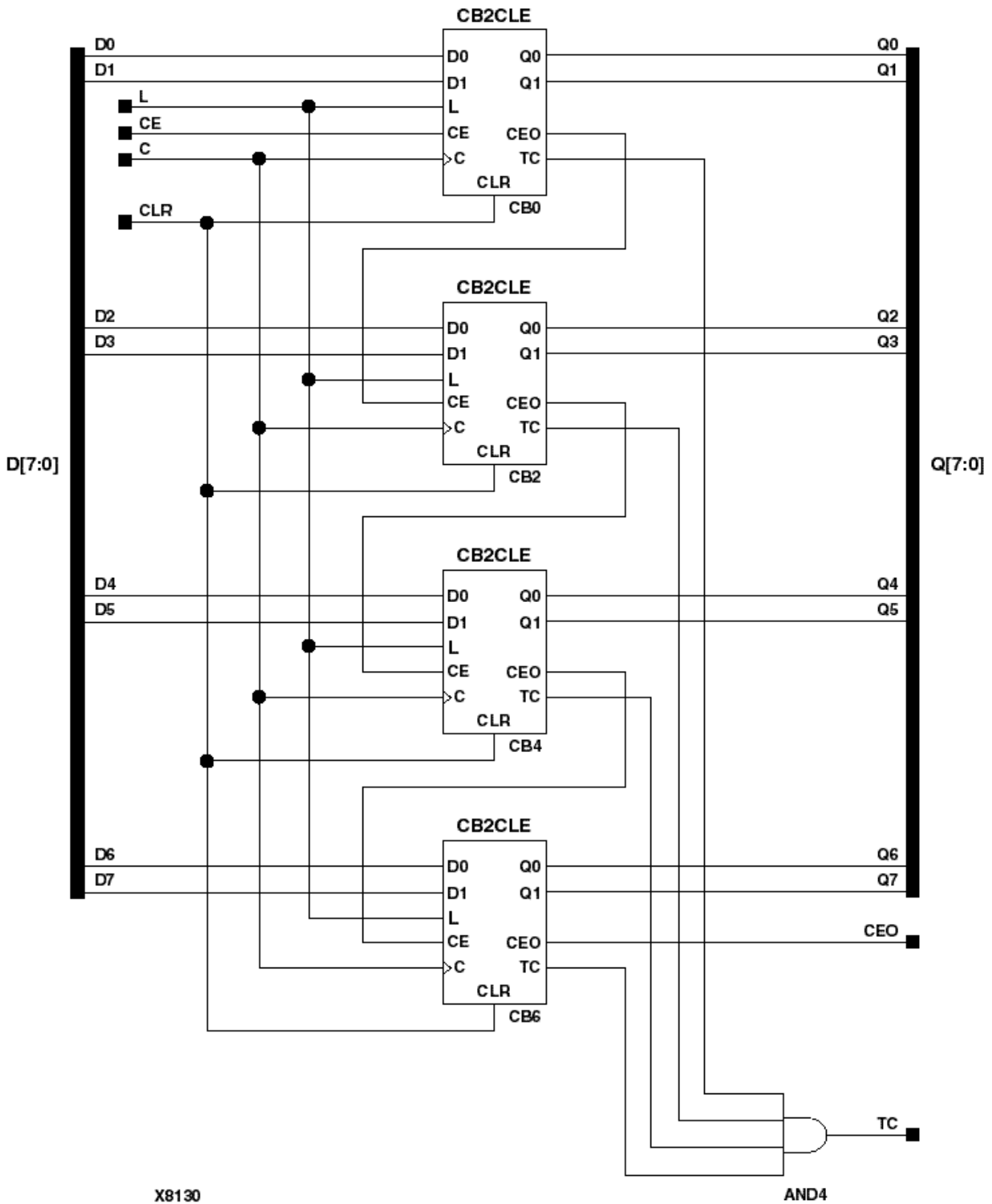


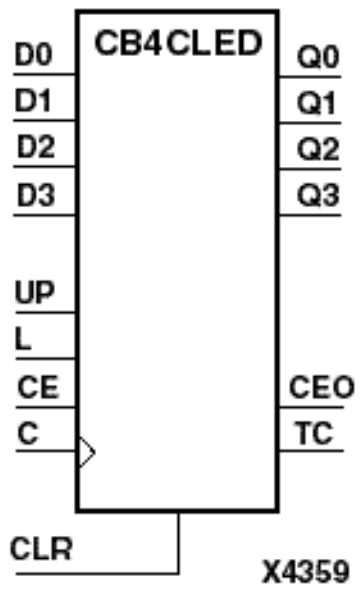
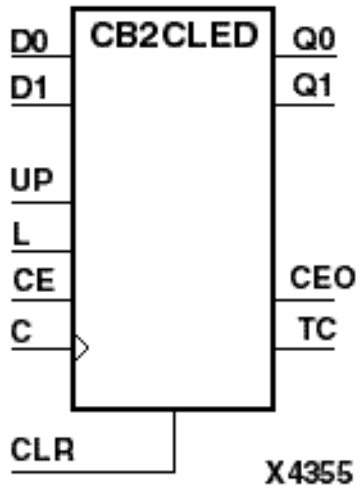
Figure 4-7 CB8CLE Implementation XC9000



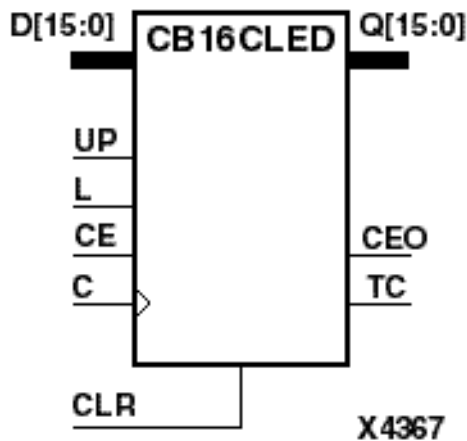
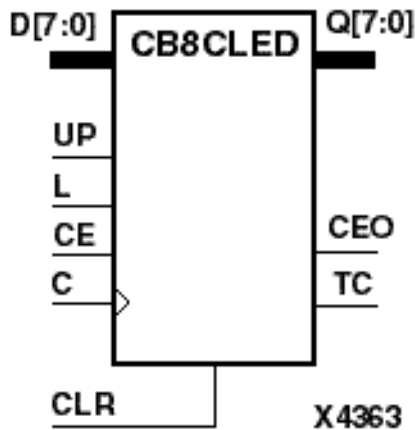
## CB2CLED, CB4CLED, CB8CLED, CB16CLED

2-, 4-, 8-, 16-Bit Loadable Cascadable Bidirectional Binary Counters with Clock Enable and Asynchronous Clear

<b>XC3000</b>	<b>XC4000 E</b>	<b>XC4000 X</b>	<b>XC5200</b>	<b>XC9000</b>	<b>Spartan</b>	<b>Spartan XL</b>	<b>Virtex</b>
Macro	Macro	Macro	Macro	Macro	Macro	Macro	Macro







CB2CLED, CB4CLED, CB8CLED, and CB16CLED are, respectively, 2-, 4-, 8- and 16-bit (stage), synchronously loadable, asynchronously clearable, cascadable, bidirectional binary counters. The asynchronous clear (CLR) is the highest priority input. When CLR is High, all other inputs are ignored; the Q outputs, terminal count (TC), and clock enable out (CEO) go to logic level zero, independent of clock transitions. The data on the D inputs is loaded into the counter when the load enable input (L) is High during the Low-to-High clock (C) transition, independent of the state of clock enable (CE). The Q outputs decrement when CE is High and UP is Low during the Low-to-High clock transition. The Q outputs increment when CE and UP are High. The counter ignores clock transitions when CE is Low.

For counting up, the TC output is High when all Q outputs and UP are High. For counting down, the TC output is High when all Q outputs and UP are Low. To cascade counters, the CEO output of each counter is connected to the CE pin of the next stage. The clock, UP, L, and CLR inputs are connected in parallel. CEO is active (High) when TC and CE are High. The maximum length of the counter is determined by the accumulated CE-to-TC propagation delays versus the clock period. The clock period must be greater than  $n(t_{CE-TC})$ , where  $n$  is the number of stages and the time  $t_{CE-TC}$  is the CE-to-TC propagation delay of each stage.

When cascading counters, use the CEO output if the counter uses the CE input; use the TC output if it does not. For CPLD designs, refer to the "**CB2X1, CB4X1, CB8X1, CB16X1**" section for high-performance cascadable, bidirectional counters.

The counter is asynchronously cleared, output Low, when power is applied. For CPLDs, the power-on condition can be

simulated by applying a High-level pulse on the PRLD global net. FPGAs simulate power-on when global reset (GR) or global set/reset (GSR) is active. GR for XC3000 is active-Low. GR for XC5200 and GSR (XC4000, Spartans, Virtex) default to active-High but can be inverted by adding an inverter in front of the GR/GSR input of the STARTUP or STARTUP\_VIRTEX symbol.

Inputs					Outputs			
CL R	L	CE	C	UP	Dz – D0	Qz – Q0	TC	CE O
1	X	X	X	X	X	0	0	0
0	1	X	↑	X	Dn	dn	TC	CE O
0	0	0	X	X	X	No Chg	No Chg	0
0	0	1	↑	1	X	Inc	TC	CE O
0	0	1	↑	0	X	Dec	TC	CE O

z = 1 for CB2CLED; z = 3 for CB4CLED; z = 7 for CB8CLED; z = 15 for CB16CLED

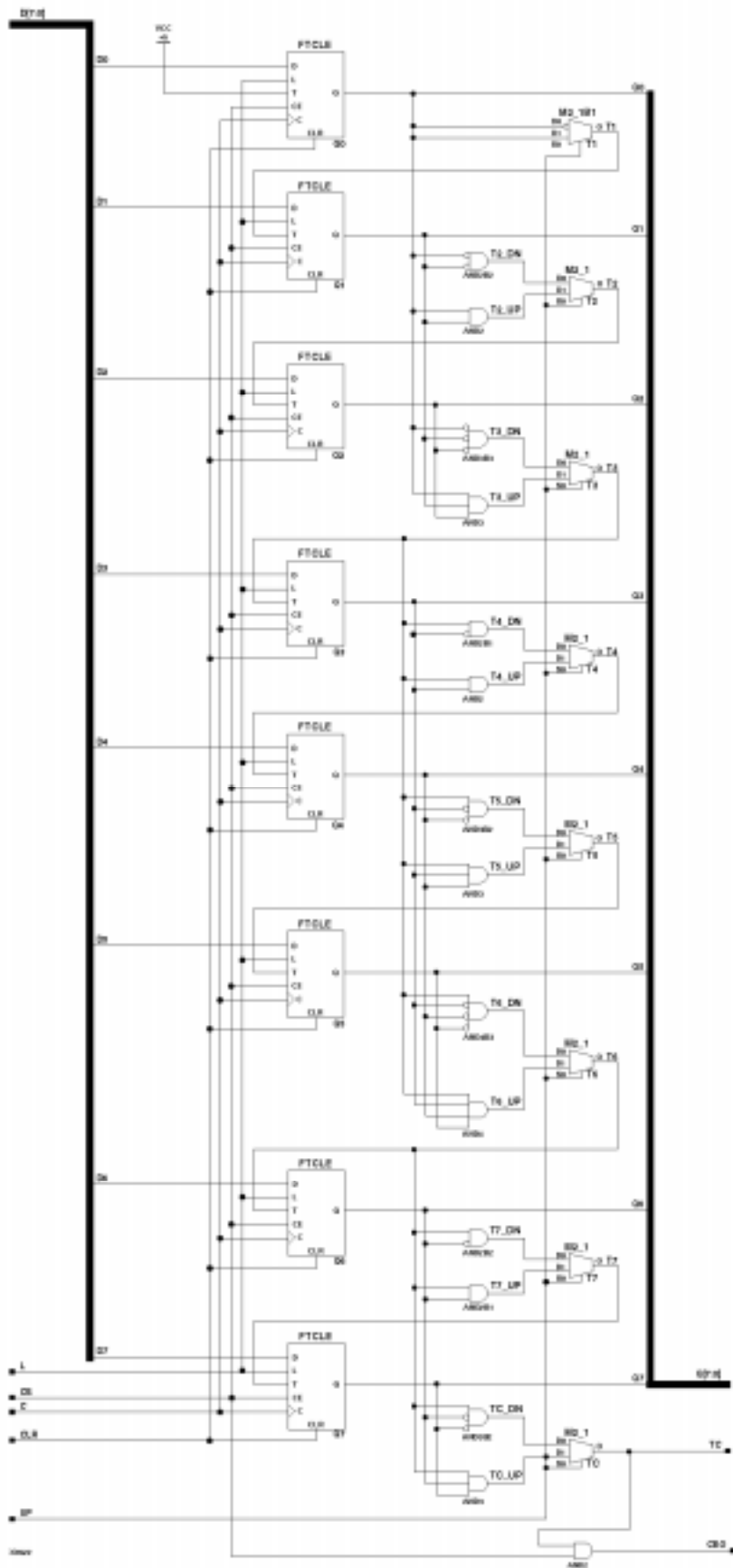
dn = state of referenced input (Dn), one setup time prior to active clock transition

$$TC = (Qz \bullet Q(z-1) \bullet Q(z-2) \bullet \dots \bullet Q0 \bullet UP) + (\overline{Qz} \bullet \overline{Q(z-1)} \bullet \overline{Q(z-2)} \bullet \dots \bullet \overline{Q0} \bullet \overline{UP})$$

$$CEO = TC \bullet CE$$

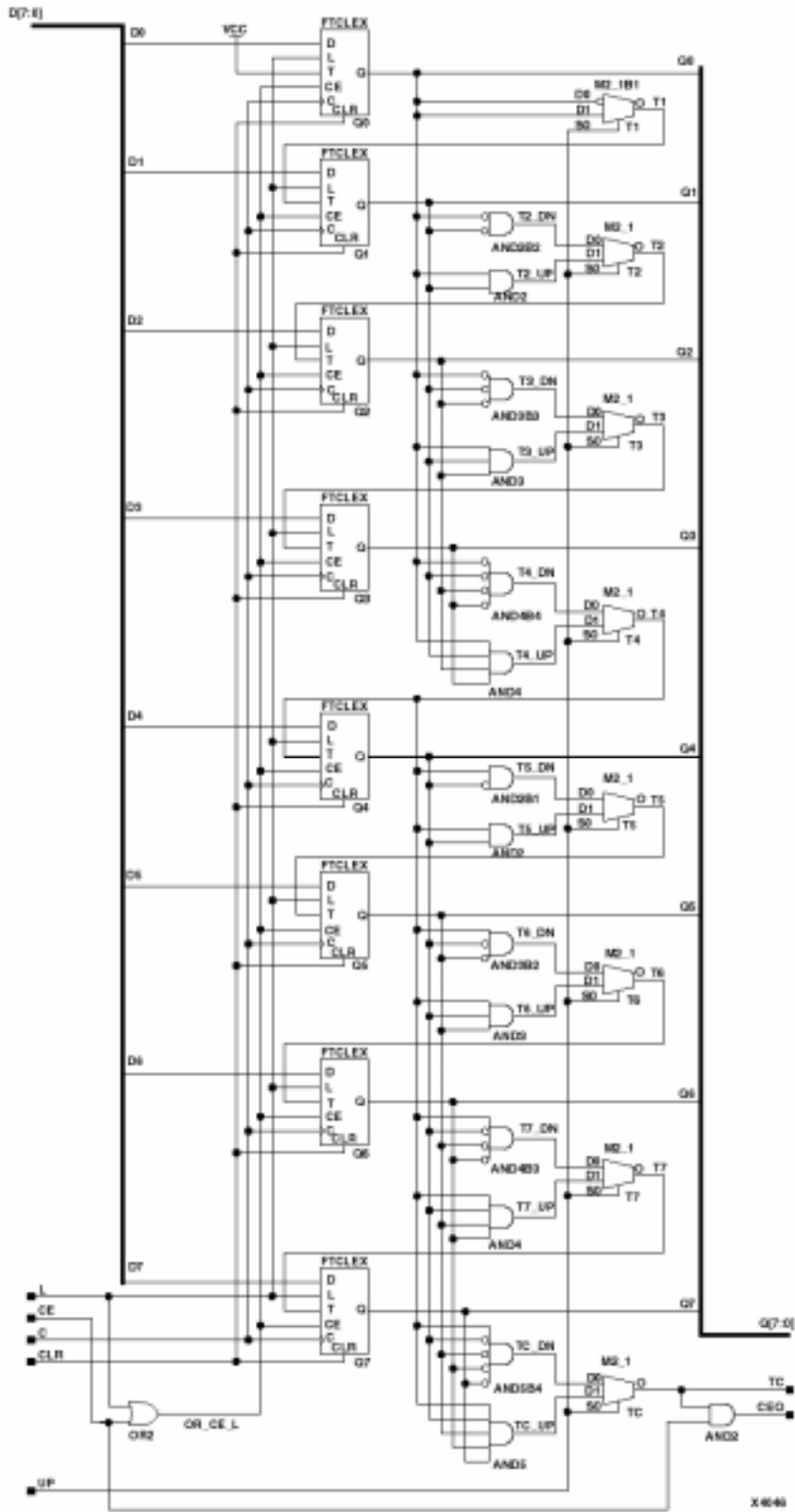
Figure 4-8CB8CLED Implementation XC3000

Libraries Guide



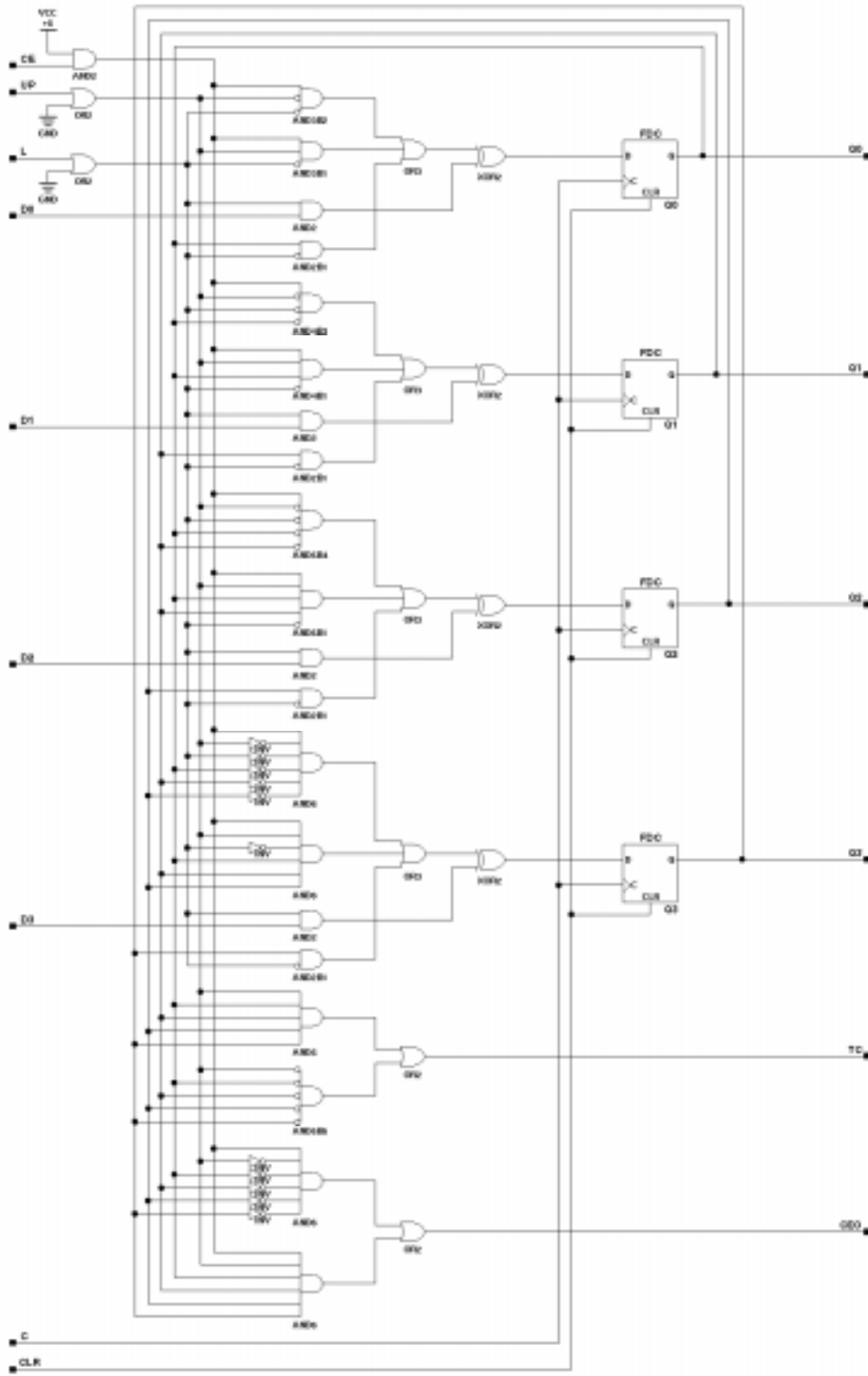
**Figure 4-9CB8CLED Implementation XC4000, XC5200, Spartans, Virtex**

Libraries Guide



**Figure 4-10CB4LED Implementation XC9000**

# Libraries Guide

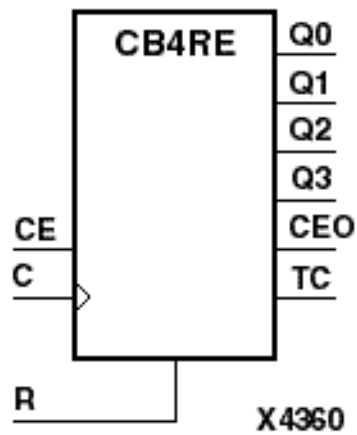
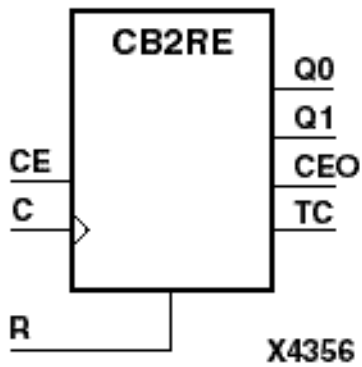


10005

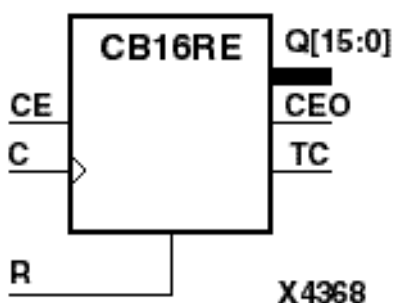
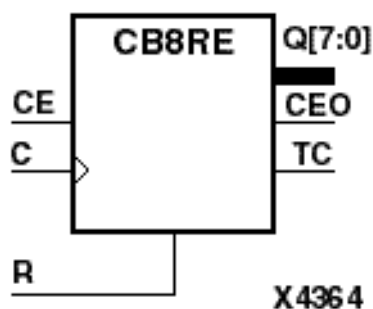
## CB2RE, CB4RE, CB8RE, CB16RE

### 2-, 4-, 8-, 16-Bit Cascadable Binary Counters with Clock Enable and Synchronous Reset

XC3000	XC4000 E	XC4000 X	XC5200	XC9000	Spartan	Spartan XL	Virtex
Macro	Macro	Macro	Macro	Macro	Macro	Macro	Macro







CB2RE, CB4RE, CB8RE, and CB16RE are, respectively, 2-, 4-, 8-, and 16-bit (stage), synchronous, resettable, cascadable binary counters. The synchronous reset (R) is the highest priority input. When R is High, all other inputs are ignored; the Q outputs, terminal count (TC), and clock enable out (CEO) go to logic level zero during the Low-to-High clock transition. The Q outputs increment when the clock enable input (CE) is High during the Low-to-High clock (C) transition. The counter ignores clock transitions when CE is Low. The TC output is High when both Q outputs are High.

Larger counters are created by connecting the CEO output of the first stage to the CE input of the next stage and connecting the C and R inputs in parallel. CEO is active (High) when TC and CE are High. The maximum length of the counter is determined by the accumulated CE-to-TC propagation delays versus the clock period. The clock period must be greater than  $n(t_{CE-TC})$ , where  $n$  is the number of stages and the time  $t_{CE-TC}$  is the CE-to-TC propagation delay of each stage. When cascading counters, use the CEO output if the counter uses the CE input; use the TC output if it does not.

The counter is asynchronously cleared, output Low, when power is applied. For CPLDs, the power-on condition can be simulated by applying a High-level pulse on the PRLD global net. FPGAs simulate power-on when global reset (GR) or global set/reset (GSR) is active. GR for XC3000 is active-Low. GR for XC5200 and GSR (XC4000, Spartans, Virtex) default to active-High but can be inverted by adding an inverter in front of the GR/GSR input of the STARTUP or STARTUP\_VIRTEX symbol.

Inputs			Outputs		
R	CE	C	Qz – Q0	TC	CEO
1	X	↑	0	0	0
0	0	X	No Chg	No Chg	0

---

0	1	↑	Inc	TC	CEO
---	---	---	-----	----	-----

---

$z = 1$  for CB2RE;  $z = 3$  for CB4RE;  $z = 7$  for CB8RE;  $z = 15$  for CB16RE

$TC = Qz \bullet Q(z-1) \bullet Q(z-2) \bullet \dots \bullet Q0$

$CEO = TC \bullet CE$

---

**Figure 4-11**CB8RE Implementation XC3000, XC4000, XC5200, Spartans, Virtex

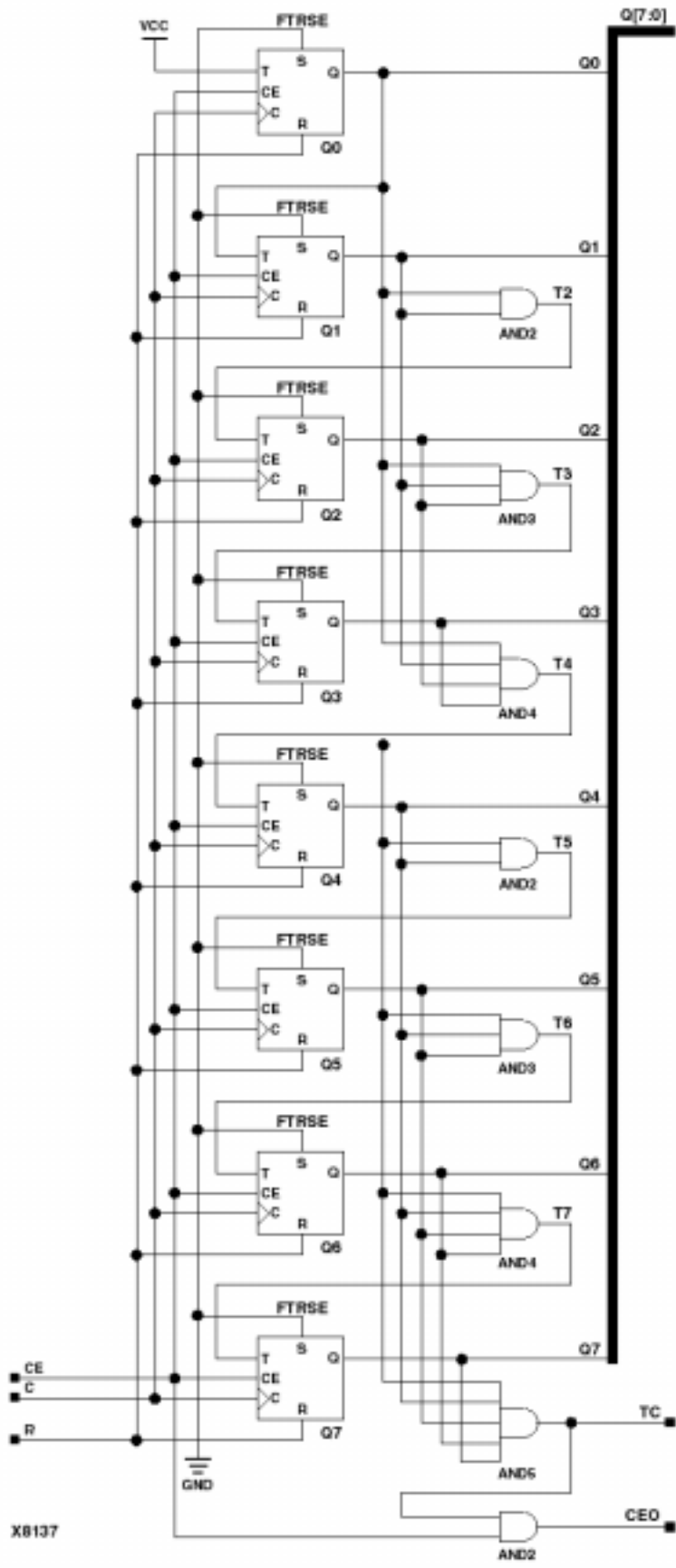


Figure 4-12CB2RE Implementation XC9000

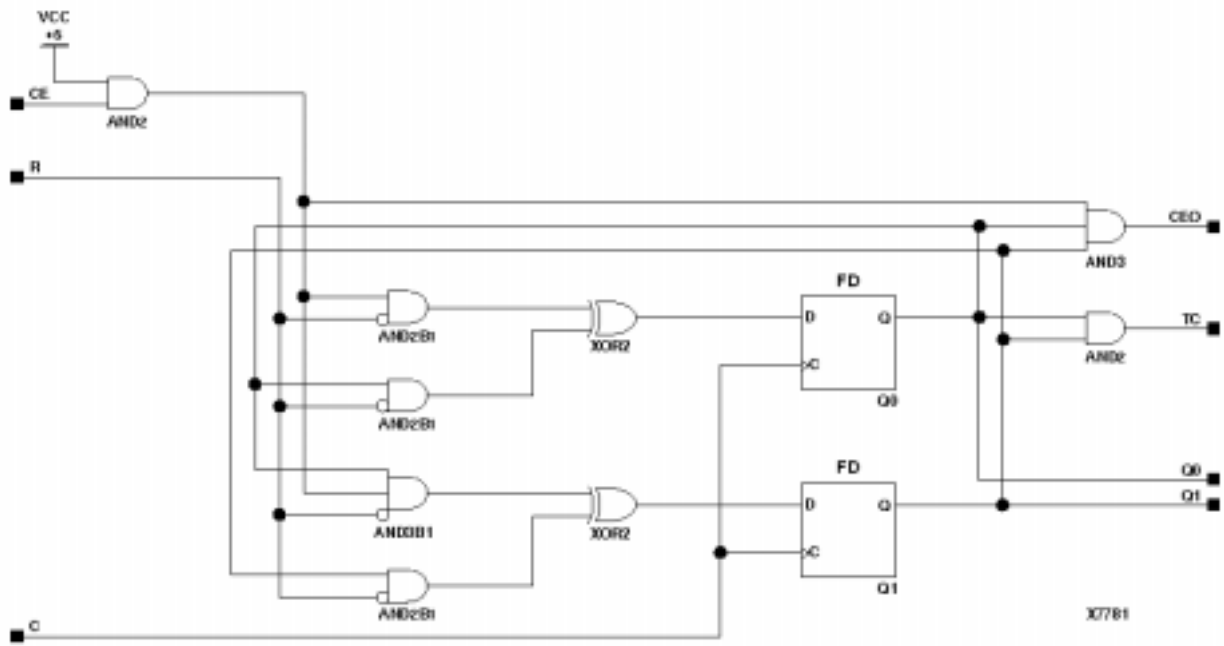
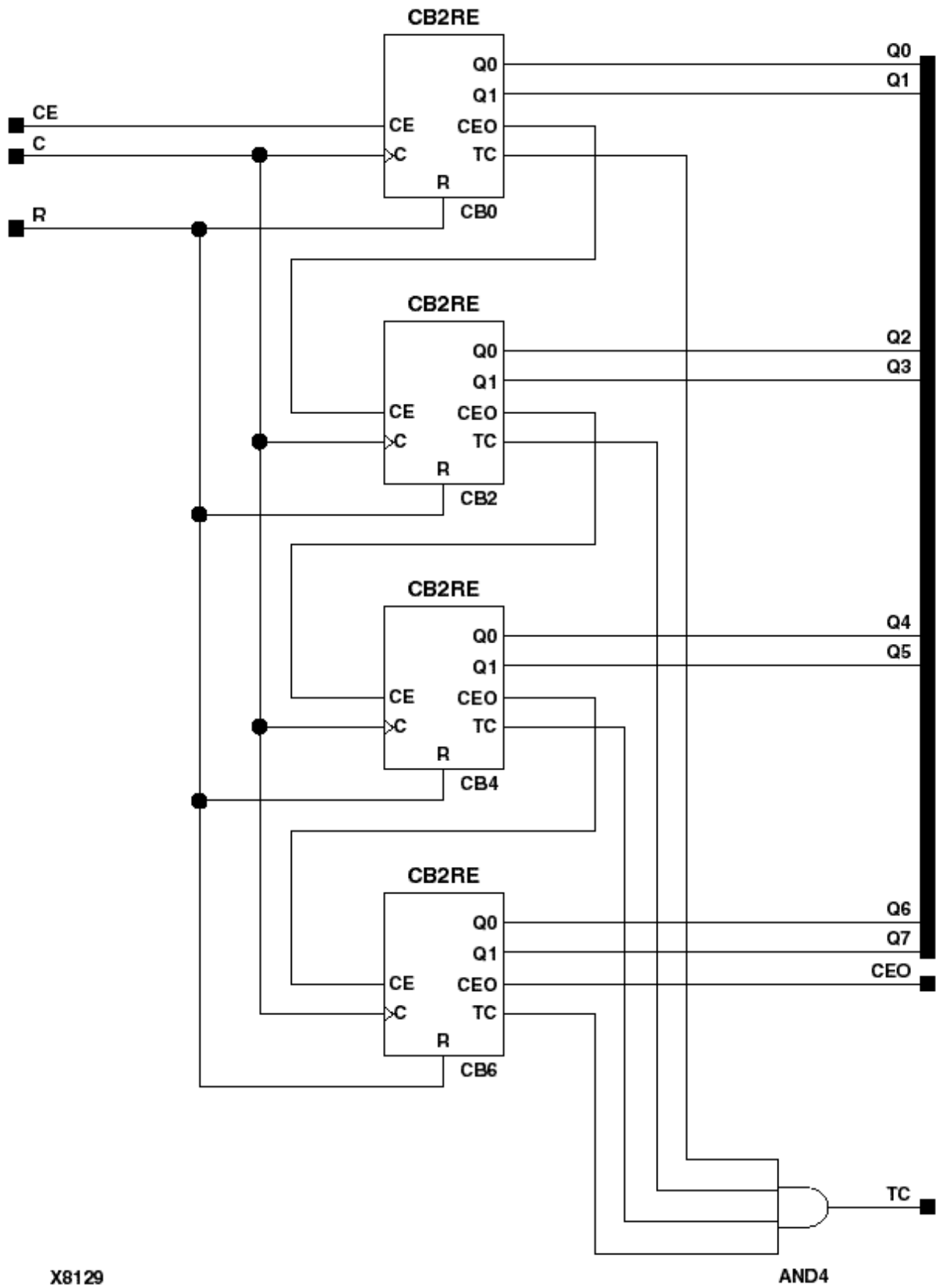


Figure 4-13CB8RE Implementation XC9000

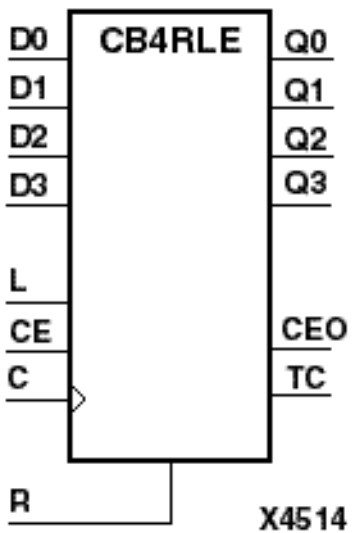
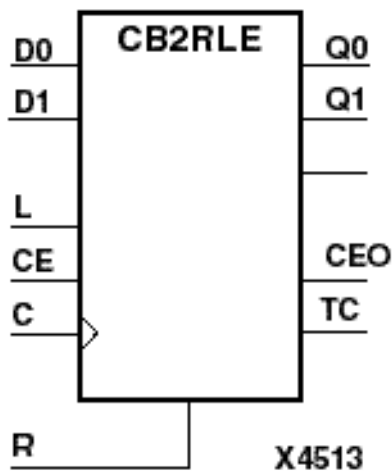


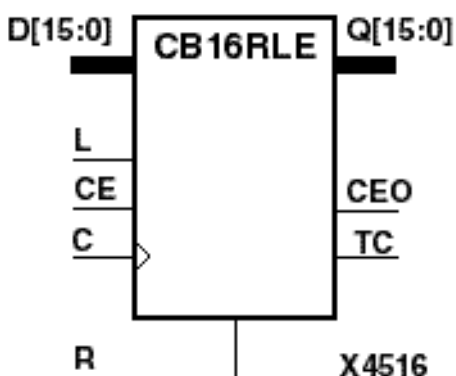
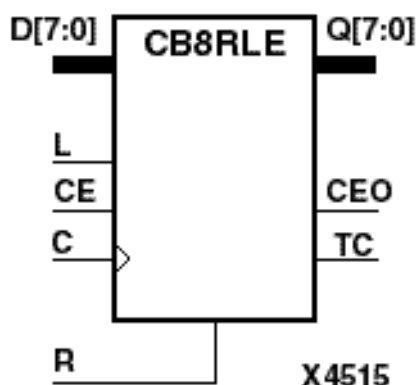
X8129

## CB2RLE, CB4RLE, CB8RLE, CB16RLE

2-, 4-, 8-, 16-Bit Loadable Cascadable Binary Counters with Clock Enable and Synchronous Reset

XC3000	XC4000 E	XC4000 X	XC5200	XC9000	Spartan	Spartan XL	Virtex
N/A	N/A	N/A	N/A	Macro	N/A	N/A	N/A





CB2RLE, CB4RLE, CB8RLE, and CB16RLE are, respectively, 2-, 4-, 8-, and 16-bit (stage), synchronous, loadable, resettable, cascadable binary counter. The synchronous reset (R) is the highest priority input. The synchronous R, when High, overrides all other inputs and resets the Q outputs, terminal count (TC), and clock enable out (CEO) outputs to Low on the Low-to-High clock (C) transition.

The data on the D inputs is loaded into the counter when the load enable input (L) is High during the Low-to-High clock (C) transition, independent of the state of CE. The Q outputs increment when CE is High during the Low-to-High clock transition. The counter ignores clock transitions when CE is Low. The TC output is High when all Q outputs are High. The CEO output is High when all Q outputs and CE are High to allow direct cascading of counters.

Larger counters are created by connecting the CEO output of the first stage to the CE input of the next stage and by connecting the C, L, and R inputs in parallel. The maximum length of the counter is determined by the accumulated CE-to-CEO propagation delays versus the clock period. When cascading counters, use the CEO output if the counter uses the CE input; use the TC output if it does not.

The counter is asynchronously cleared, output Low, when power is applied. For CPLDs, the power-on condition can be simulated by applying a High-level pulse on the PRLD global net.

Inputs				Outputs			
R	L	CE	C	D <sub>z</sub> – D <sub>0</sub>	Q <sub>z</sub> – Q <sub>0</sub>	TC	CEO

1	X	X	↑	X	0	0	0
0	1	X	↑	Dn	dn	TC	CEO
0	0	0	X	X	No Chg	No Chg	0
0	0	1	↑	X	Inc	TC	CEO

$z = 1$  for CB2RLE;  $z = 3$  for CB4RLE;  $z = 7$  for CB8RLE;  $z = 15$  for CB16RLE

dn = state of referenced input (Dn) one setup time prior to active clock transition

$$TC = Qz \bullet Q(z-1) \bullet Q(z-2) \bullet \dots \bullet Q0$$

$$CEO = TC \bullet CE$$

Figure 4-14 CB2RLE Implementation XC9000

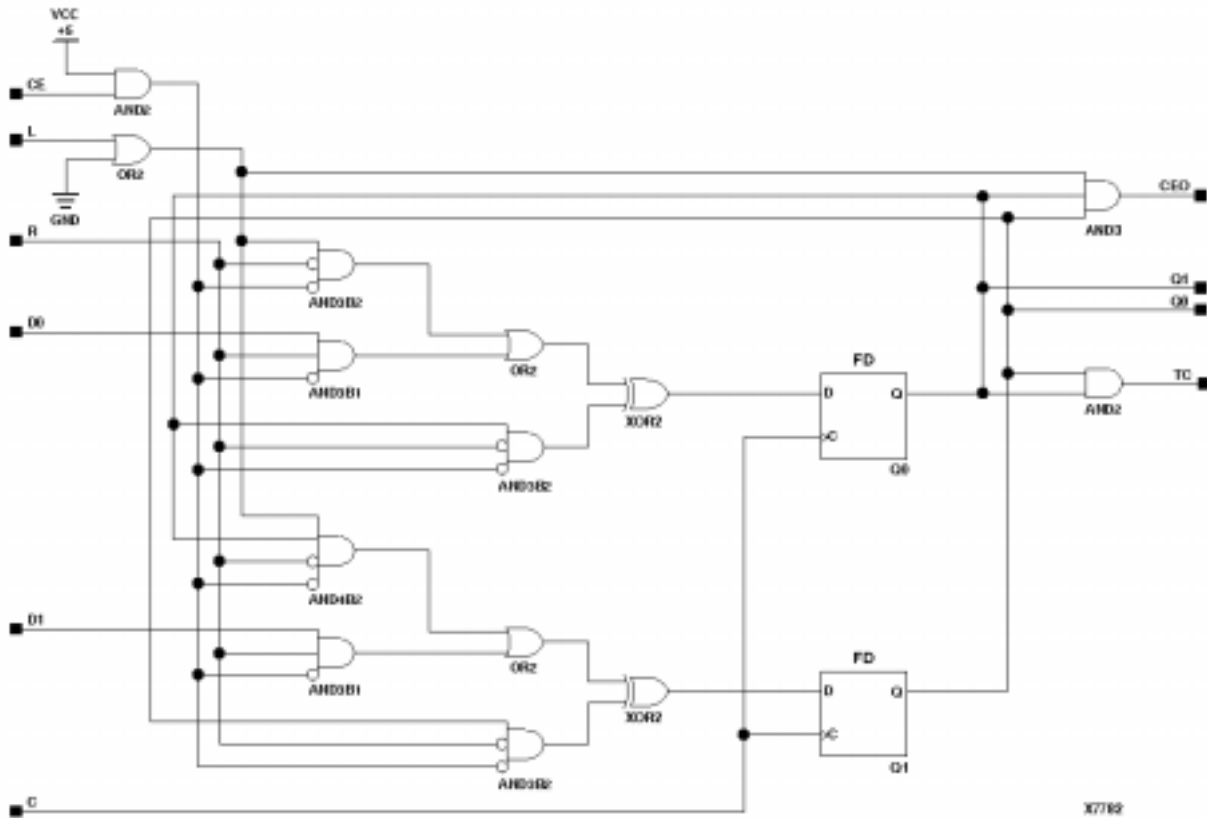
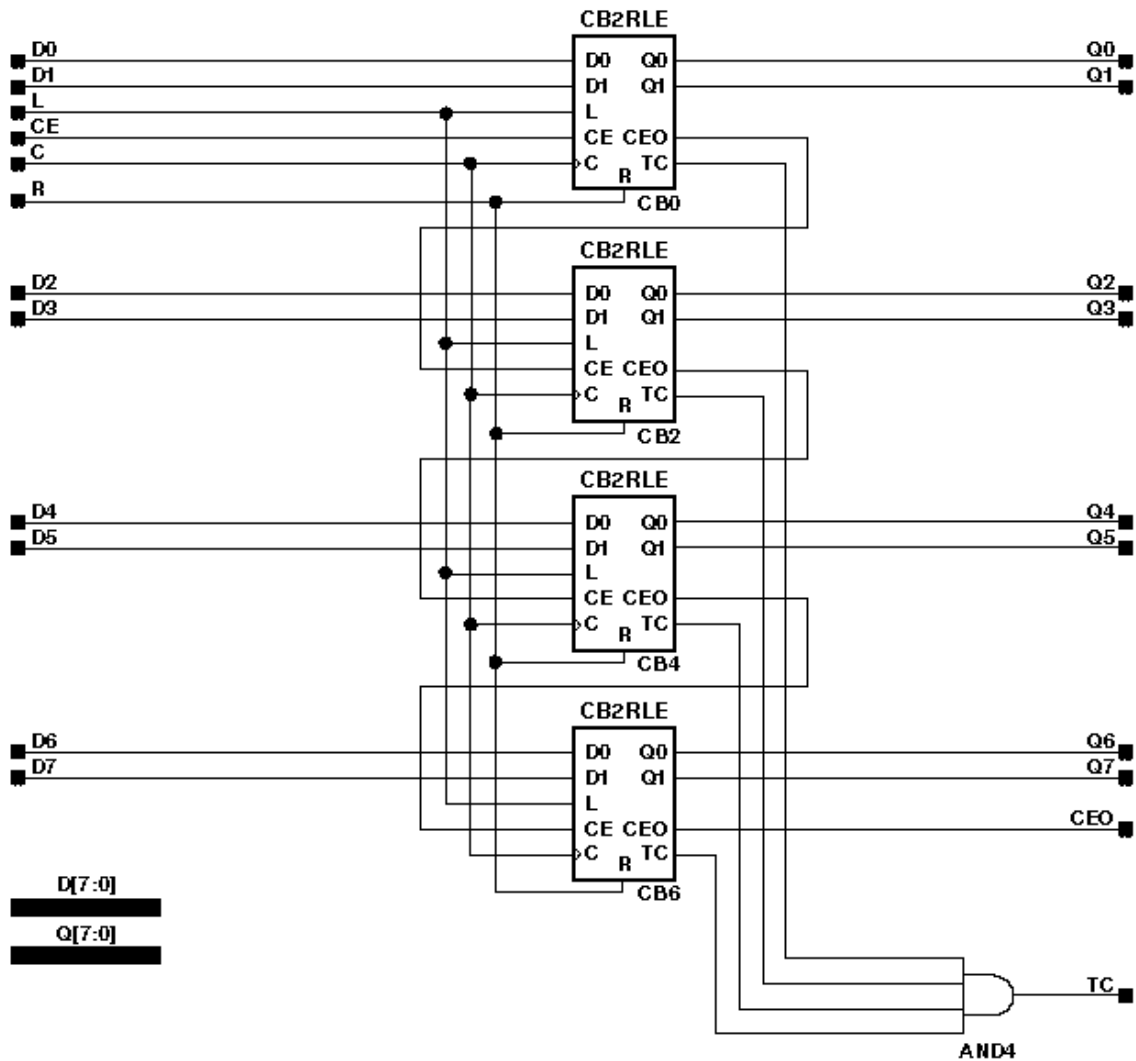


Figure 4-15 CB8RLE Implementation XC9000



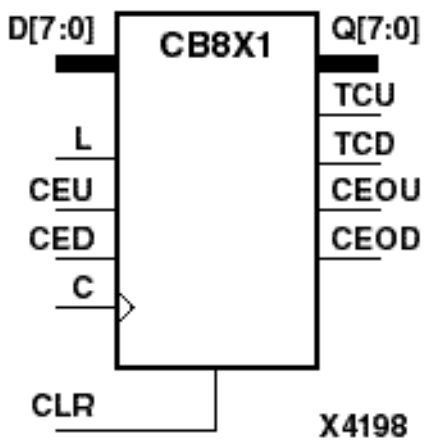
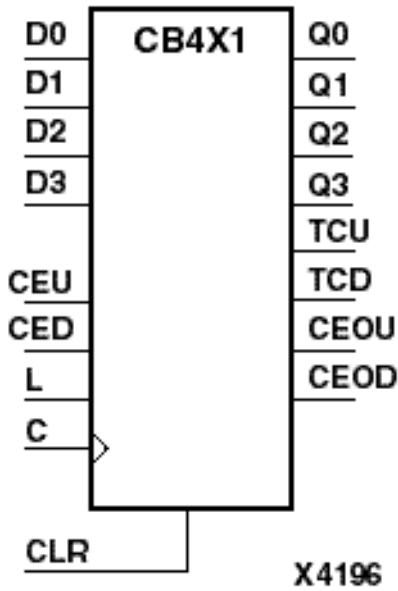
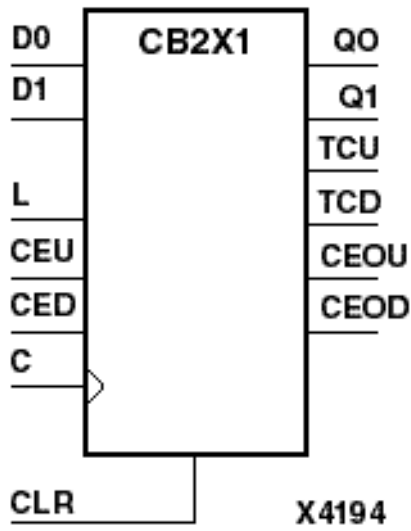


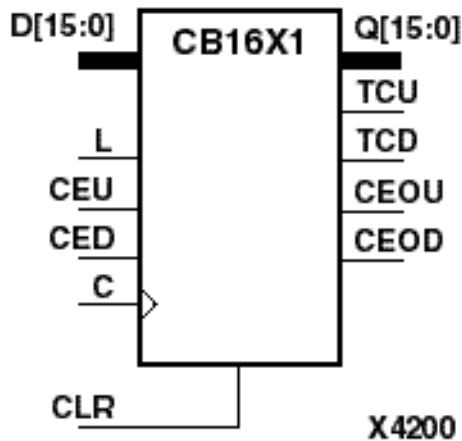
X7621

## CB2X1, CB4X1, CB8X1, CB16X1

2-, 4-, 8-, 16-Bit Loadable Cascadable Bidirectional Binary Counters with Clock Enable and Asynchronous Clear

XC3000	XC4000 E	XC4000 X	XC5200	XC9000	Spartan	Spartan XL	Virtex
N/A	N/A	N/A	N/A	Macro	N/A	N/A	N/A





CB2X1, CB4X1, CB8X1, and CB16X1 are, respectively, 2-, 4-, 8-, and 16-bit (stage), synchronously loadable, asynchronously clearable, bidirectional binary counters. These counters have separate count-enable inputs and synchronous terminal-count outputs for up and down directions to support high-speed cascading in the CPLD architecture.

The asynchronous clear (CLR) is the highest priority input. When CLR is High, all other inputs are ignored; data outputs (Q) go to logic level zero, terminal count outputs TCU and TCD go to zero and one, respectively, clock enable outputs CEOU and CEOD go to Low and High, respectively, independent of clock transitions. The data on the D inputs loads into the counter on the Low-to-High clock (C) transition when the load enable input (L) is High, independent of the CE inputs.

The Q outputs increment when CEU is High, provided CLR and L are Low, during the Low-to-High clock transition. The Q outputs decrement when CED is High, provided CLR and L are Low. The counter ignores clock transitions when CEU and CED are Low. Both CEU and CED should not be High during the same clock transition; the CEOU and CEOD outputs might not function properly for cascading when CEU and CED are both High.

For counting up, the CEOU output is High when all Q outputs and CEU are High. For counting down, the CEOD output is High when all Q outputs are Low and CED is High. To cascade counters, the CEOU and CEOD outputs of each counter are connected directly to the CEU and CED inputs, respectively, of the next stage. The clock, L, and CLR inputs are connected in parallel.

In Xilinx CPLD devices, the maximum clocking frequency of these counter components is unaffected by the number of cascaded stages for all counting and loading functions. The TCU terminal count output is High when all Q outputs are High, regardless of CEU. The TCD output is High when all Q outputs are Low, regardless of CED.

When cascading counters, the final terminal count signals can be produced by AND wiring all the TCU outputs (for the up direction) and all the TCD outputs (for the down direction). The TCU, CEOU, and CEOD outputs are produced by optimizable AND gates within the component, resulting in zero propagation from the CEU and CED inputs and from the Q outputs, provided all connections from each such output remain on-chip. Otherwise, a macrocell buffer delay is introduced.

The counter is initialized to zero (TCU Low and TCD High) when power is applied. For CPLDs, the power-on condition can be simulated by applying a High-level pulse on the PRLD global net.

---

**Inputs**

**Outputs**

---

Libraries Guide

C L R	L E U	C E D	C E D	C Dz-D 0	Qz- Q0	TC U	TC D	CE OU	CE OD
1	X	X	X	X X	0	0	1	0	CE OD
0	1	X	X	↑ Dn	dn	TC U	TC D	CE OU	CE OD
0	0	0	0	X X	No Chg	No Chg	No Chg	0	0
0	0	1	0	↑ X	Inc	TC U	TC D	CE OU	0
0	0	0	1	↑ X	Dec	TC U	TC D	0	CE OD
0	0	1	1	↑ X	Inc	TC U	TC D	Inva lid	Inva lid

z = 1 for CB2X1; z = 3 for CB4X1; z = 7 for CB8X1; z = 15 for CB16X1

dn = state of referenced input (Dn) one setup time prior to active clock transition

$$TCU = Qz \cdot Q(z-1) \cdot Q(z-2) \cdot \dots \cdot Q0$$

$$TCD = \overline{Qz} \cdot \overline{Q(z-1)} \cdot \overline{Q(z-2)} \cdot \dots \cdot \overline{Q0}$$

$$CEOU = TCU \cdot CEU$$

$$CEOD = TCD \cdot CED$$

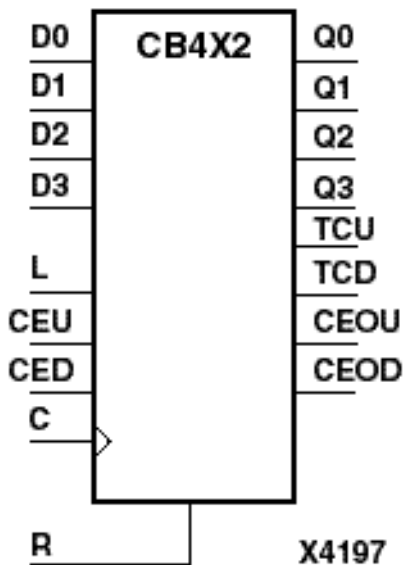
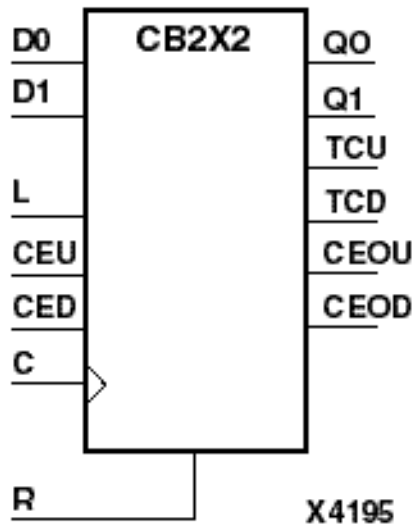
Figure 4-16CB4X1 Implementation XC9000

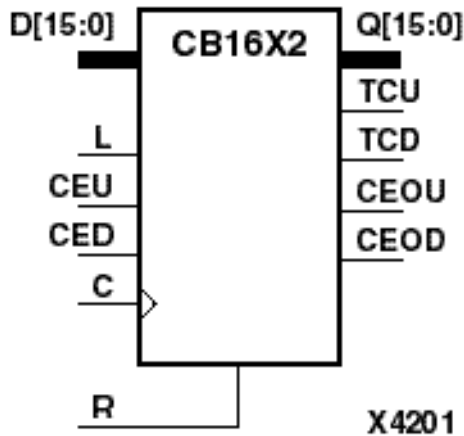
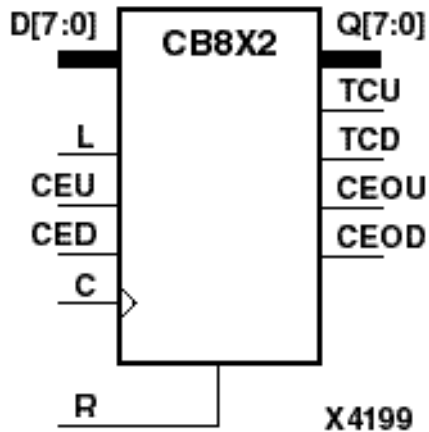


## CB2X2, CB4X2, CB8X2, CB16X2

### 2-, 4-, 8-, and 16-Bit Loadable Cascadable Bidirectional Binary Counters with Clock Enable and Synchronous Reset

XC3000	XC4000 E	XC4000 X	XC5200	XC9000	Spartan	Spartan XL	Virtex
N/A	N/A	N/A	N/A	Macro	N/A	N/A	N/A





CB2X2, CB4X2, CB8X2, and CB16X2 are, respectively, 2-, 4-, 8-, and 16-bit (stage), synchronous, loadable, resettable, bidirectional binary counters. These counters have separate count-enable inputs and synchronous terminal-count outputs for up and down directions to support high-speed cascading in the CPLD architecture.

The synchronous reset (R) is the highest priority input. When R is High, all other inputs are ignored; the data outputs (Q) go to logic level zero, terminal count outputs TCU and TCD go to zero and one, respectively, and clock enable outputs CEOU and CEOD go to Low and High, respectively, on the Low-to-High clock (C) transition. The data on the D inputs loads into the counter on the Low-to-High clock (C) transition when the load enable input (L) is High, independent of the CE inputs.

All Q outputs increment when CEU is High, provided R and L are Low during the Low-to-High clock transition. All Q outputs decrement when CED is High, provided R and L are Low. The counter ignores clock transitions when CEU and CED are Low. Both CEU and CED should not be High during the same clock transition; the CEOU and CEOD outputs might not function properly for cascading when CEU and CED are both High.

For counting up, the CEOU output is High when all Q outputs and CEU are High. For counting down, the CEOD output is High when all Q outputs are Low and CED is High. To cascade counters, the CEOU and CEOD outputs of each counter are, respectively, connected directly to the CEU and CED inputs of the next stage. The C, L, and R inputs are connected in parallel.

In Xilinx CPLD devices, the maximum clocking frequency of these counter components is unaffected by the number of cascaded stages for all counting and loading functions. The TCU terminal count output is High when all Q outputs are

High, regardless of CEU. The TCD output is High when all Q outputs are Low, regardless of CED.

When cascading counters, the final terminal count signals can be produced by AND wiring all the TCU outputs (for the up direction) and all the TCD outputs (for the down direction). The TCU, CEOU, and CEOD outputs are produced by optimizable AND gates within the component, resulting in zero propagation from the CEU and CED inputs and from the Q outputs, provided all connections from each such output remain on-chip. Otherwise, a macrocell buffer delay is introduced.

The counter is initialized to zero (TCU Low and TCD High) when power is applied. For CPLDs, the power-on condition can be simulated by applying a High-level pulse on the PRLD global net.

Inputs						Outputs				
R	L	C E U	C E D	C	Dz – D0	Qz – Q0	TCU	TCD	CEO U	CEO D
1	X	X	X	↑	X	0	0	1	0	CEO D
0	1	X	X	↑	Dn	dn	TCU	TCD	CEO U	CEO D
0	0	0	0	X	X	No Chg	No Chg	No Chg	0	0
0	0	1	0	↑	X	Inc	TCU	TCD	CEO U	0
0	0	0	1	↑	X	Dec	TCU	TCD	0	CEO D
0	0	1	1	↑	X	Inc	TCU	TCD	Invali d	Invali d

z = 1 for CB2X2; z = 3 for CB4X2; z = 7 for CB8X2; z = 15 for CB16X2

d = state of referenced input (Dn) one setup time prior to active clock transition

$$TCU = \overline{Qz} \cdot \overline{Q(z-1)} \cdot \overline{Q(z-2)} \cdot \dots \cdot \overline{Q0}$$

$$TCD = \overline{Qz} \cdot \overline{Q(z-1)} \cdot \overline{Q(z-2)} \cdot \dots \cdot \overline{Q0}$$

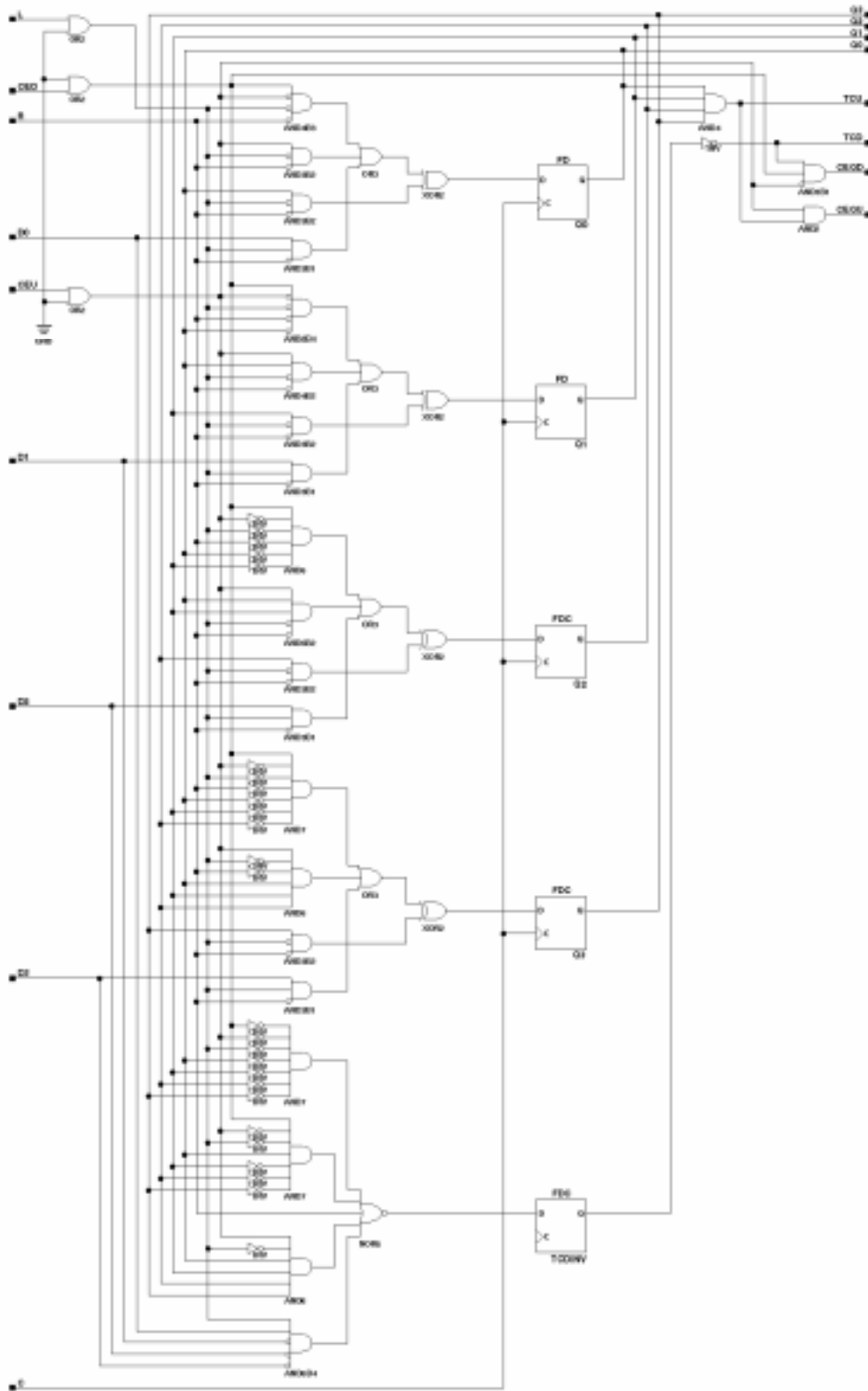
$$CEO_U = TCU \cdot CEU$$

$$CEO_D = TCD \cdot CED$$

Figure 4-17CB4X2 Implementation XC9000



Libraries Guide

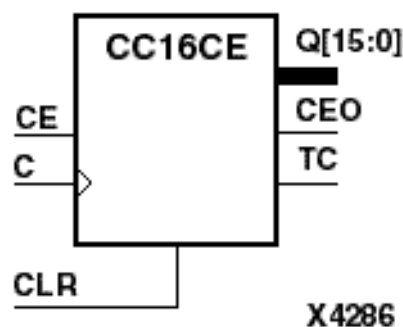
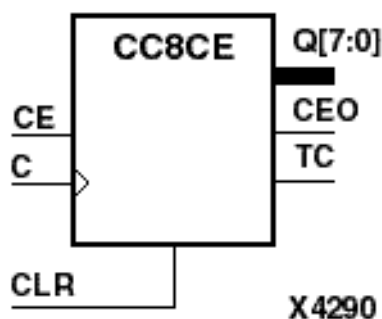


3063

## CC8CE, CC16CE

### 8-, 16-Bit Cascadable Binary Counters with Clock Enable and Asynchronous Clear

XC3000	XC4000 E	XC4000 X	XC5200	XC9000	Spartan	Spartan XL	Virtex
N/A	Macro	Macro	Macro	N/A	Macro	Macro	Macro



CC8CE and CC16CE are, respectively, 8- and 16-bit (stage), asynchronous, clearable, cascadable binary counters. These counters are implemented using carry logic with relative location constraints to ensure efficient placement of logic. The asynchronous clear (CLR) is the highest priority input. When CLR is High, all other inputs are ignored; the Q outputs, terminal count (TC), and clock enable out (CEO) go to logic level zero, independent of clock transitions. The Q outputs increment when the clock enable input (CE) is High during the Low-to-High clock (C) transition. The counter ignores clock transitions when CE is Low. The TC output is High when all Q outputs are High.

Larger counters are created by connecting the count enable out (CEO) output of the first stage to the CE input of the next stage and connecting the C and CLR inputs in parallel. CEO is active (High) when TC and CE are High. The maximum length of the counter is determined by the accumulated CE-to-TC propagation delays versus the clock period. The clock period must be greater than  $n(t_{CE-TC})$ , where  $n$  is the number of stages and the time  $t_{CE-TC}$  is the CE-to-TC propagation delay of each stage. When cascading counters, use the CEO output if the counter uses the CE input; use the TC output if

it does not.

The counter is asynchronously cleared, with Low outputs, when power is applied. FPGAs simulate power-on when global reset (GR) or global set/reset (GSR) is active. GR for XC5200 and GSR (XC4000, Spartans, Virtex) default to active-High but can be inverted by adding an inverter in front of the GR/GSR input of the STARTUP or STARTUP\_VIRTEX symbol.

Inputs			Outputs		
CLR	CE	C	Qz – Q0	TC	CEO
1	X	X	0	0	0
0	0	X	No Chg	No Chg	0
0	1	↑	Inc	TC	CEO

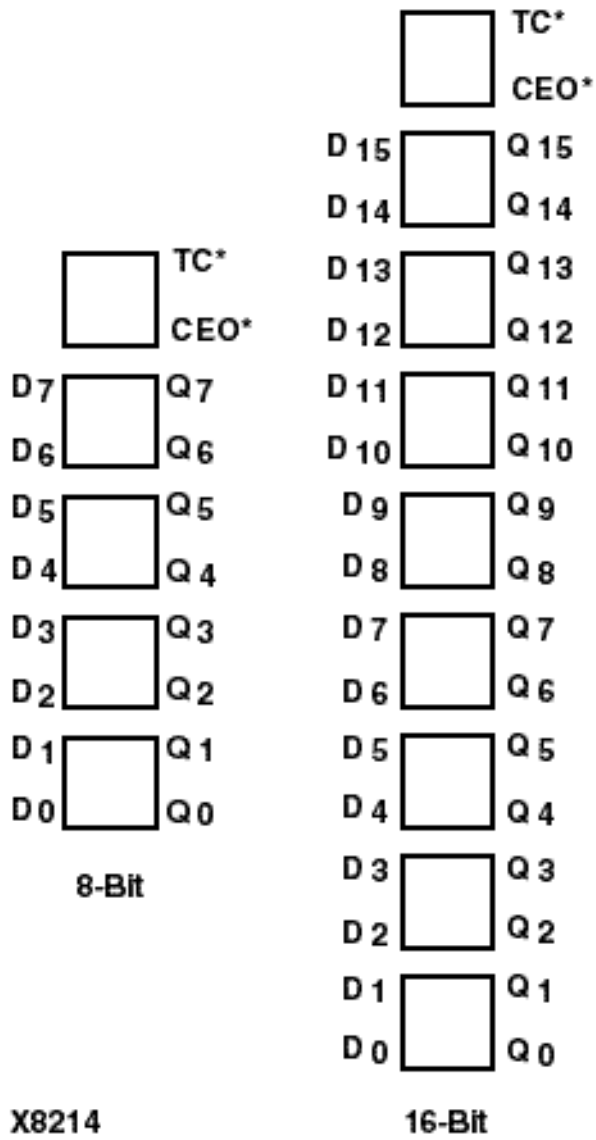
$z = 7$  for CC8CE;  $z = 15$  for CC16CE

$TC = Qz \bullet Q(z-1) \bullet Q(z-2) \bullet \dots \bullet Q0$

$CEO = TC \bullet CE$

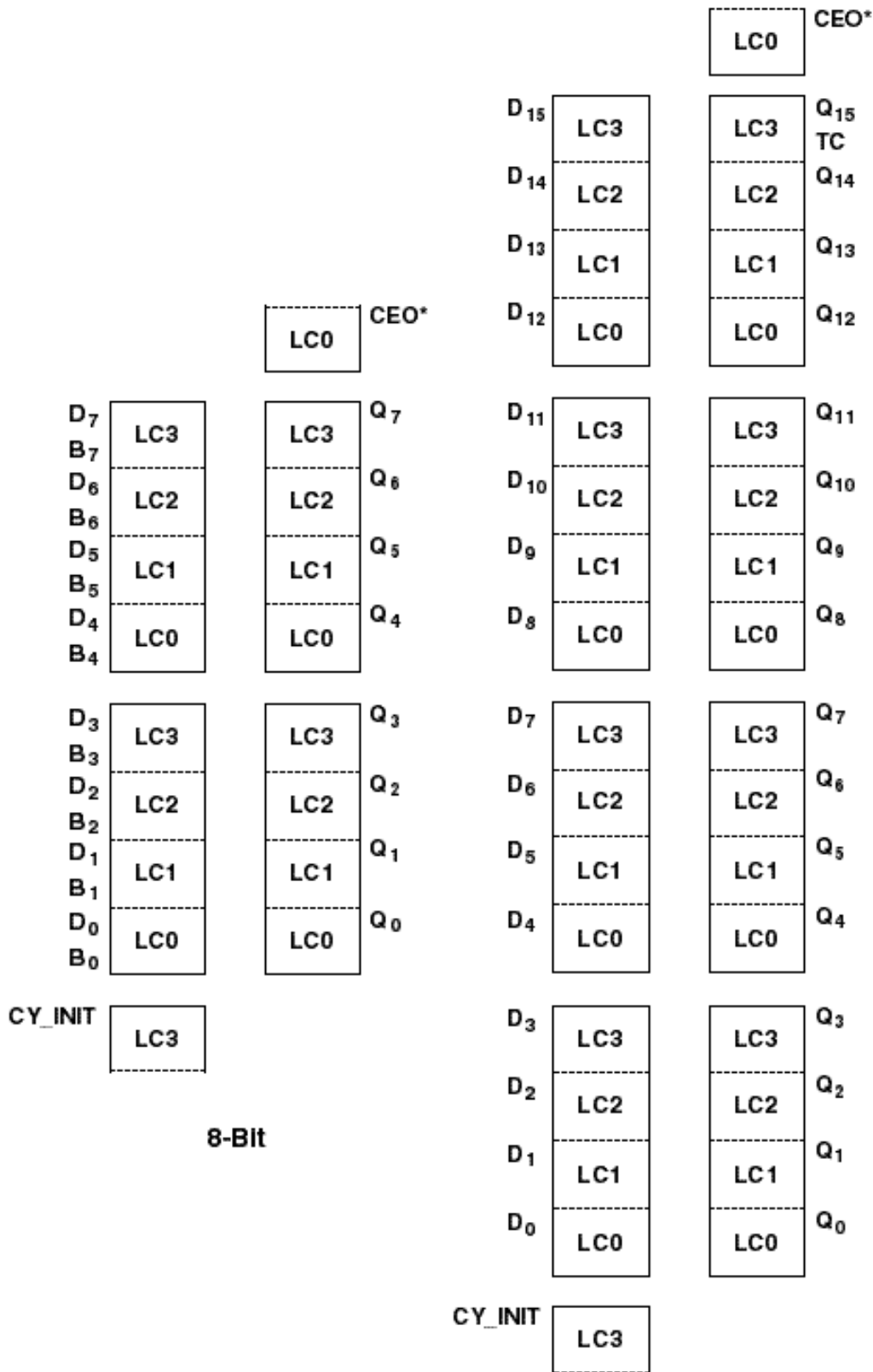
### Topology for XC4000 and Spartans

This is the CC8CE (8-bit) and CC16CE (16-bit) topology for XC4000 and Spartan series devices.



### Topology for XC5200

This is the CC8CE (8-bit) and CC16CE (16-bit) topology for XC5200 devices.



x8209

16-Bit

Figure 4-18CC8CE Implementation XC4000, Spartans

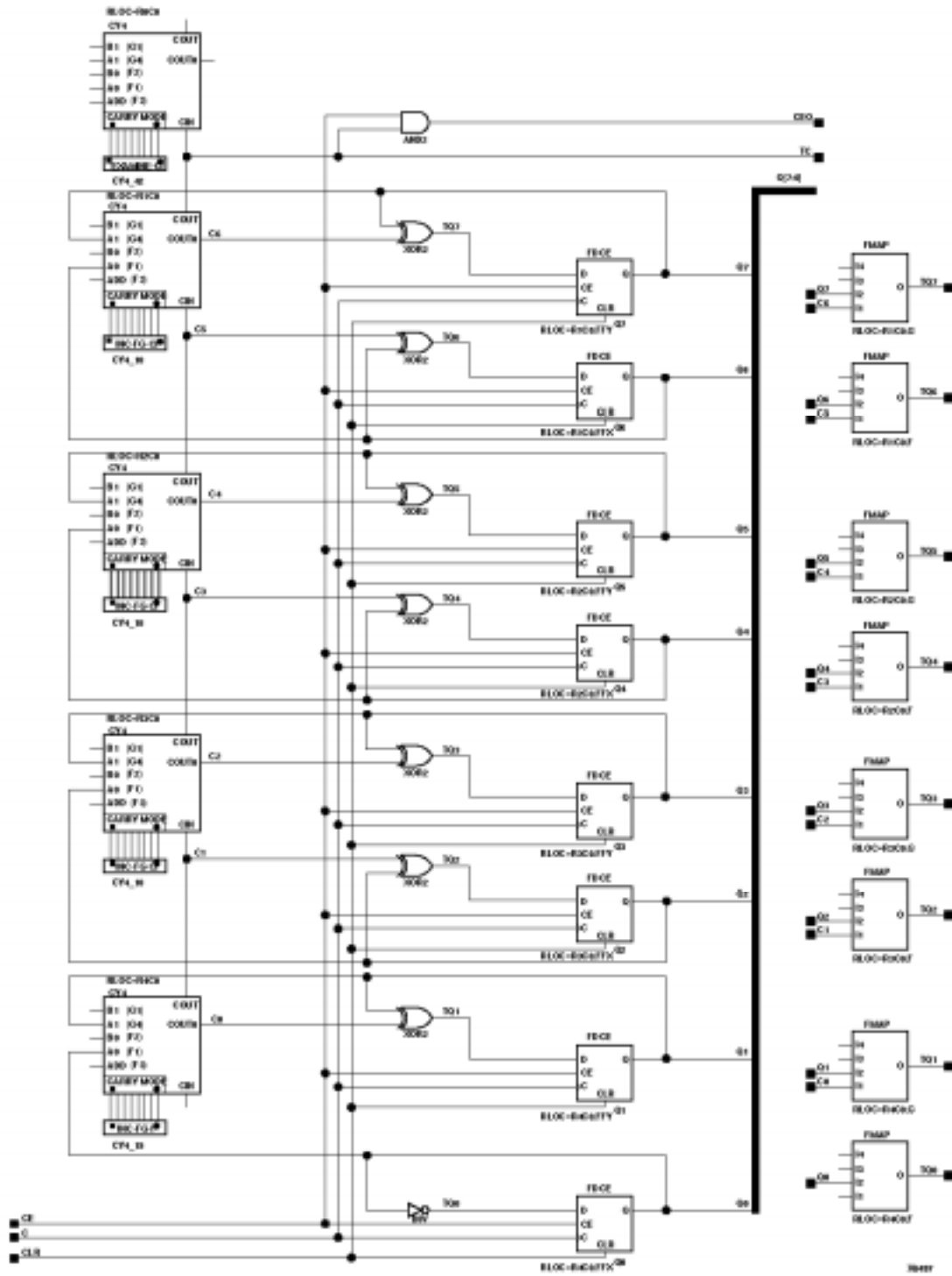
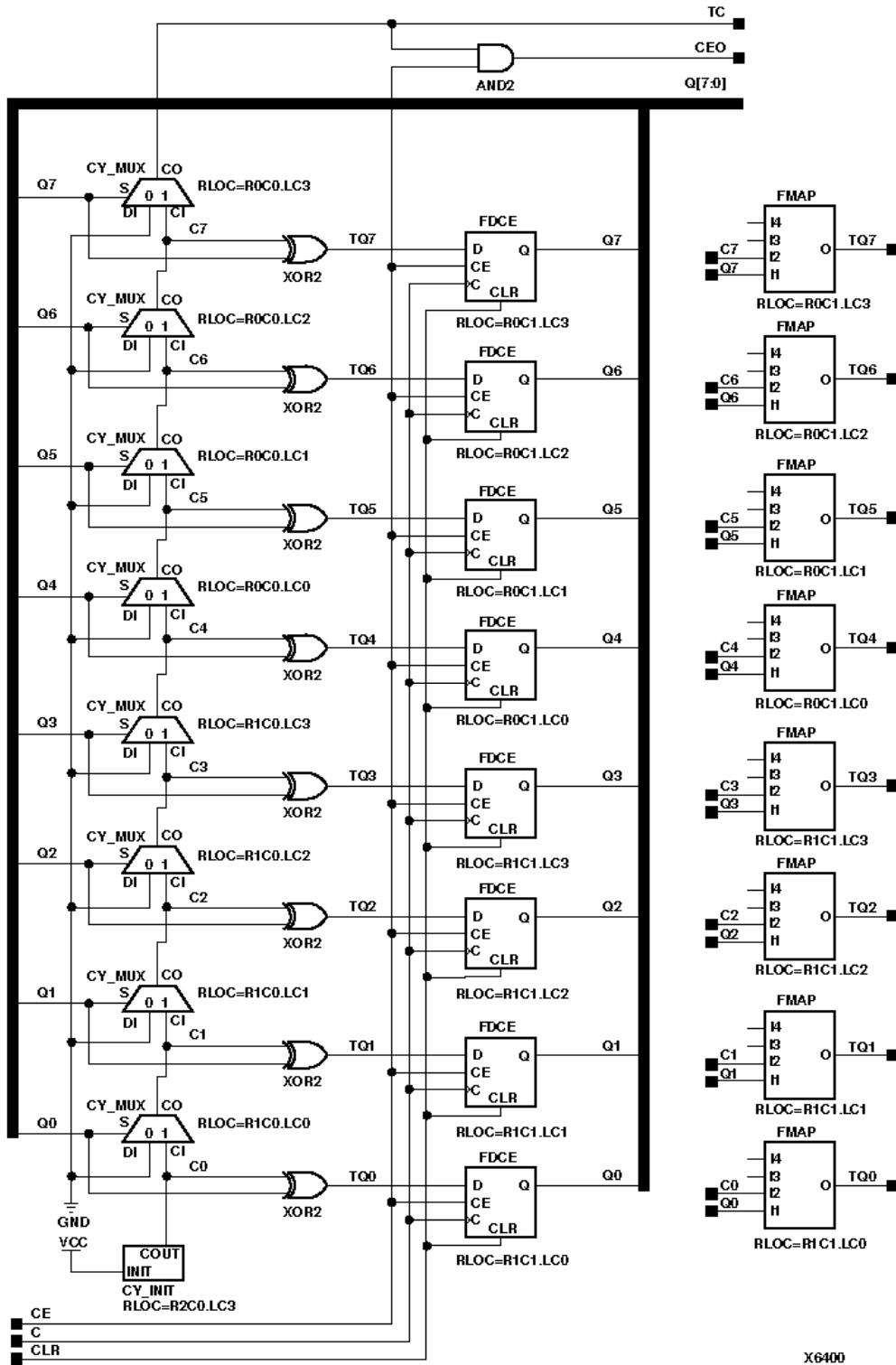
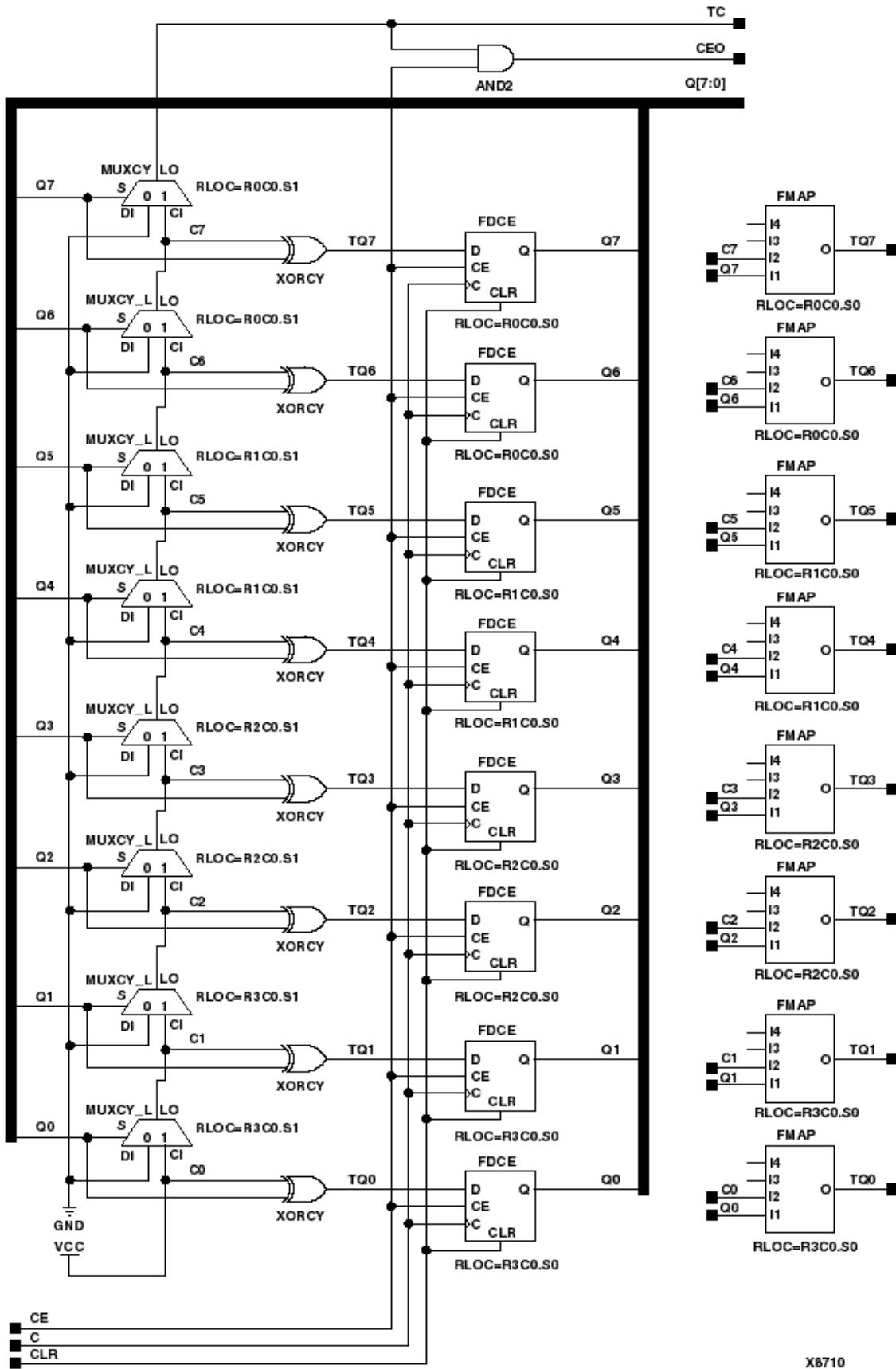


Figure 4-19CC8CE Implementation XC5200



**Figure 4-20CC8CE Implementation Virtex**

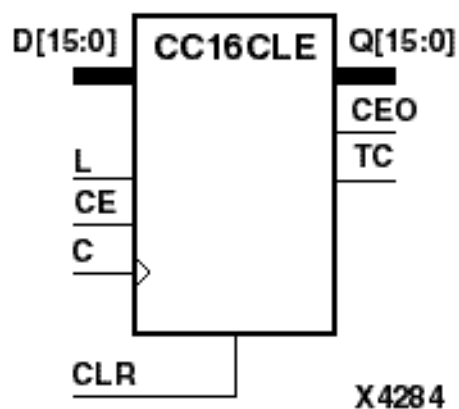
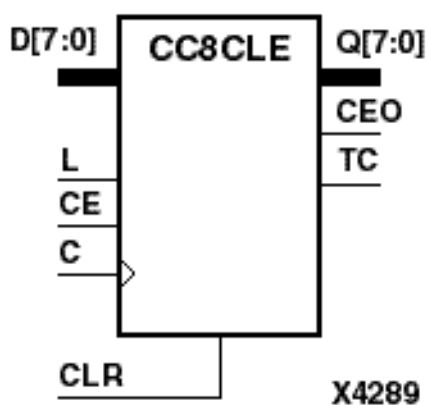




## CC8CLE, CC16CLE

### 8-, 16-Bit Loadable Cascadable Binary Counters with Clock Enable and Asynchronous Clear

XC3000	XC4000 E	XC4000 X	XC5200	XC9000	Spartan	Spartan XL	Virtex
N/A	Macro	Macro	Macro	N/A	Macro	Macro	Macro



CC8CLE and CC16CLE are, respectively, 8- and 16-bit (stage), synchronously loadable, asynchronously clearable, cascadable binary counter. These counters are implemented using carry logic with relative location constraints to ensure efficient placement of logic.

The asynchronous clear (CLR) is the highest priority input. When CLR is High, all other inputs are ignored; the Q outputs, terminal count (TC), and clock enable out (CEO) go to logic level zero, independent of clock transitions. The data on the D inputs is loaded into the counter when the load enable input (L) is High during the Low-to-High clock (C) transition, independent of the state of clock enable (CE). The Q outputs increment when CE is High during the

Low-to-High clock transition. The counter ignores clock transitions when CE is Low. The TC output is High when all Q outputs are High.

Larger counters are created by connecting the count enable out (CEO) output of the first stage to the CE input of the next stage and connecting the C, L, and CLR inputs in parallel. CEO is active (High) when TC and CE are High. The maximum length of the counter is determined by the accumulated CE-to-TC propagation delays versus the clock period. The clock period must be greater than  $n(t_{CE-TC})$ , where  $n$  is the number of stages and the time  $t_{CE-TC}$  is the CE-to-TC propagation delay of each stage. When cascading counters, use the CEO output if the counter uses the CE input; use the TC output if it does not.

The counter is asynchronously cleared, with Low output, when power is applied. FPGAs simulate power-on when global reset (GR) or global set/reset (GSR) is active. GR for XC5200 and GSR (XC4000, Spartans, Virtex) default to active-High but can be inverted by adding an inverter in front of the GR/GSR input of the STARTUP or STARTUP\_VIRTEX symbol.

Inputs				Outputs			
CLR	L	CE	C	Dz – D0	Qz – Q0	TC	CEO
1	X	X	X	X	0	0	0
0	1	X	↑	Dn	dn	TC	CEO
0	0	0	X	X	No Chg	No Chg	0
0	0	1	↑	X	Inc	TC	CEO

$z = 7$  for CC8CLE;  $z = 15$  for CC16CLE

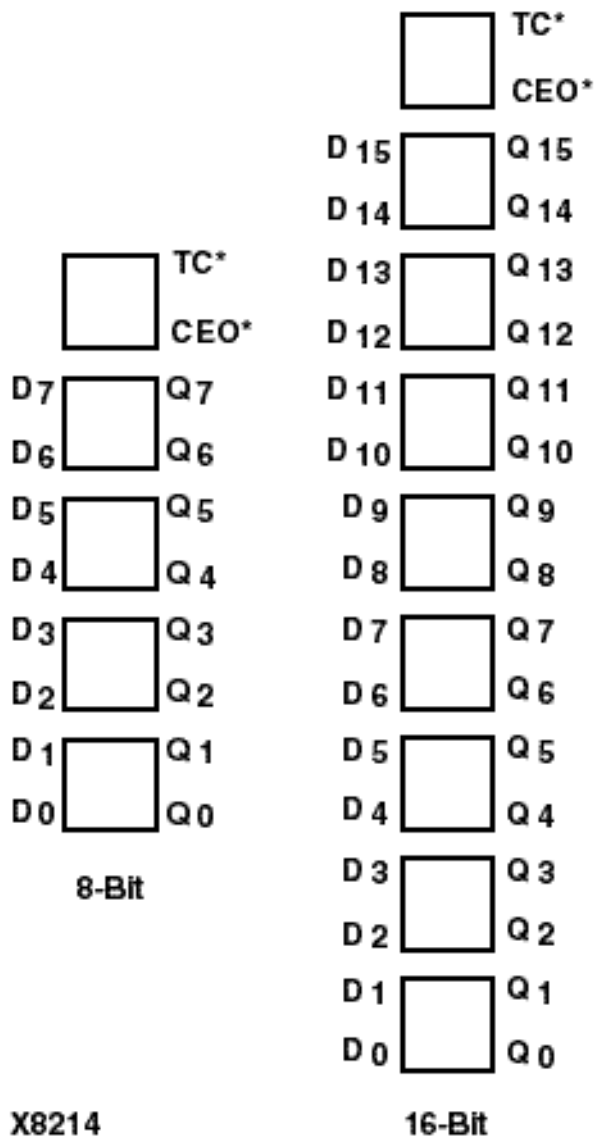
dn = state of referenced input (Dn) one setup time prior to active clock transition

$$TC = Qz \bullet Q(z-1) \bullet Q(z-2) \bullet \dots \bullet Q0$$

$$CEO = TC \bullet CE$$

### Topology for XC4000 and Spartans

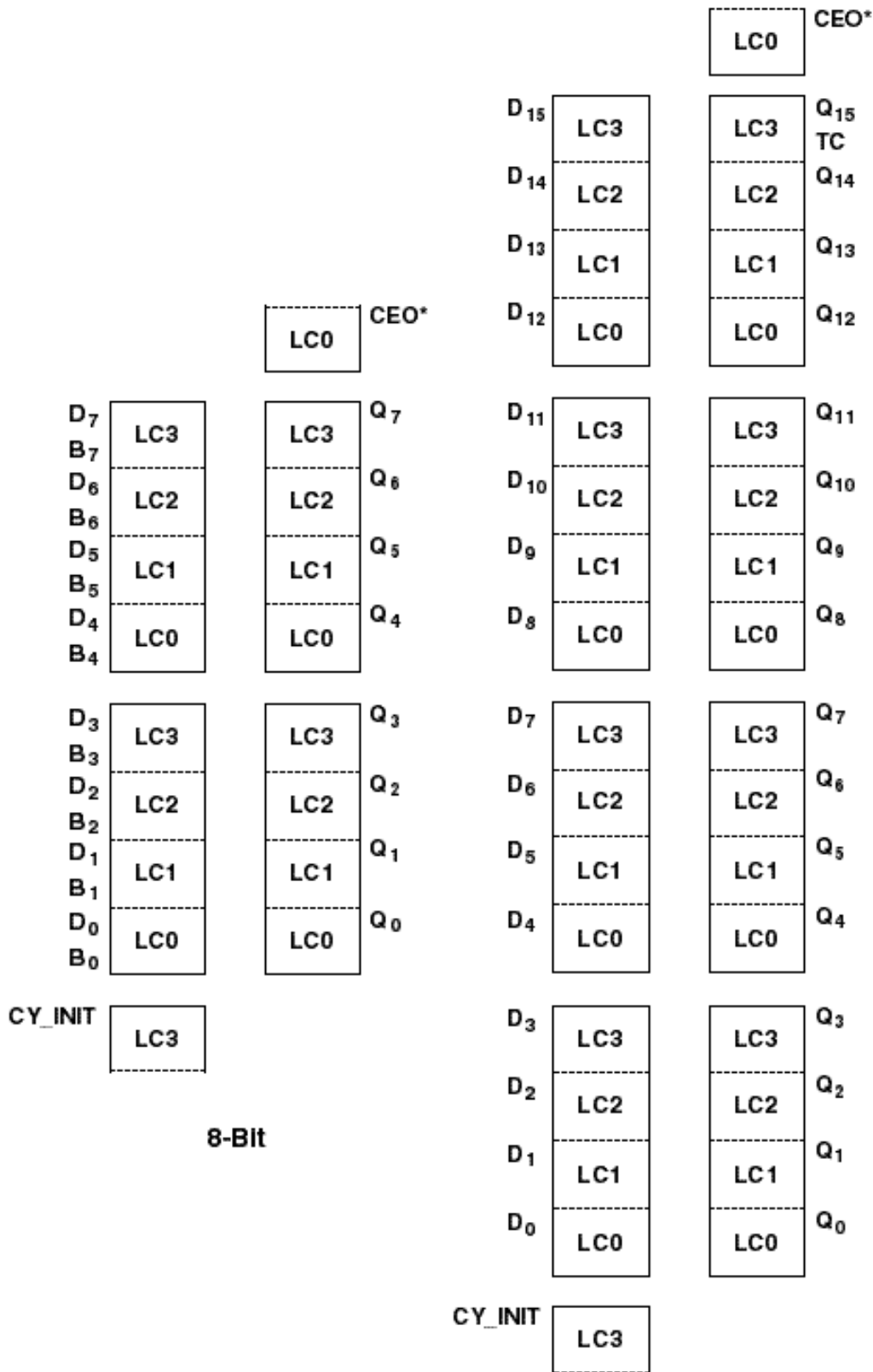
This is the CC8CLE (8-bit) and CC16CLE (16-bit) topology for XC4000 and Spartan series devices.



In the process of combining the logic that loads CEO and TC, the place and route software might map the logic that generates CEO and TC to different function generators. If this mapping occurs, the CEO and TC logic cannot be placed in the uppermost CLB as indicated in the illustration.

### Topology for XC5200

This is the CC8CLE (8-bit) and CC16CLE (16-bit) topology for XC5200 devices.



x8209

16-Bit

Figure 4-21CC8CLE Implementation XC4000, Spartans

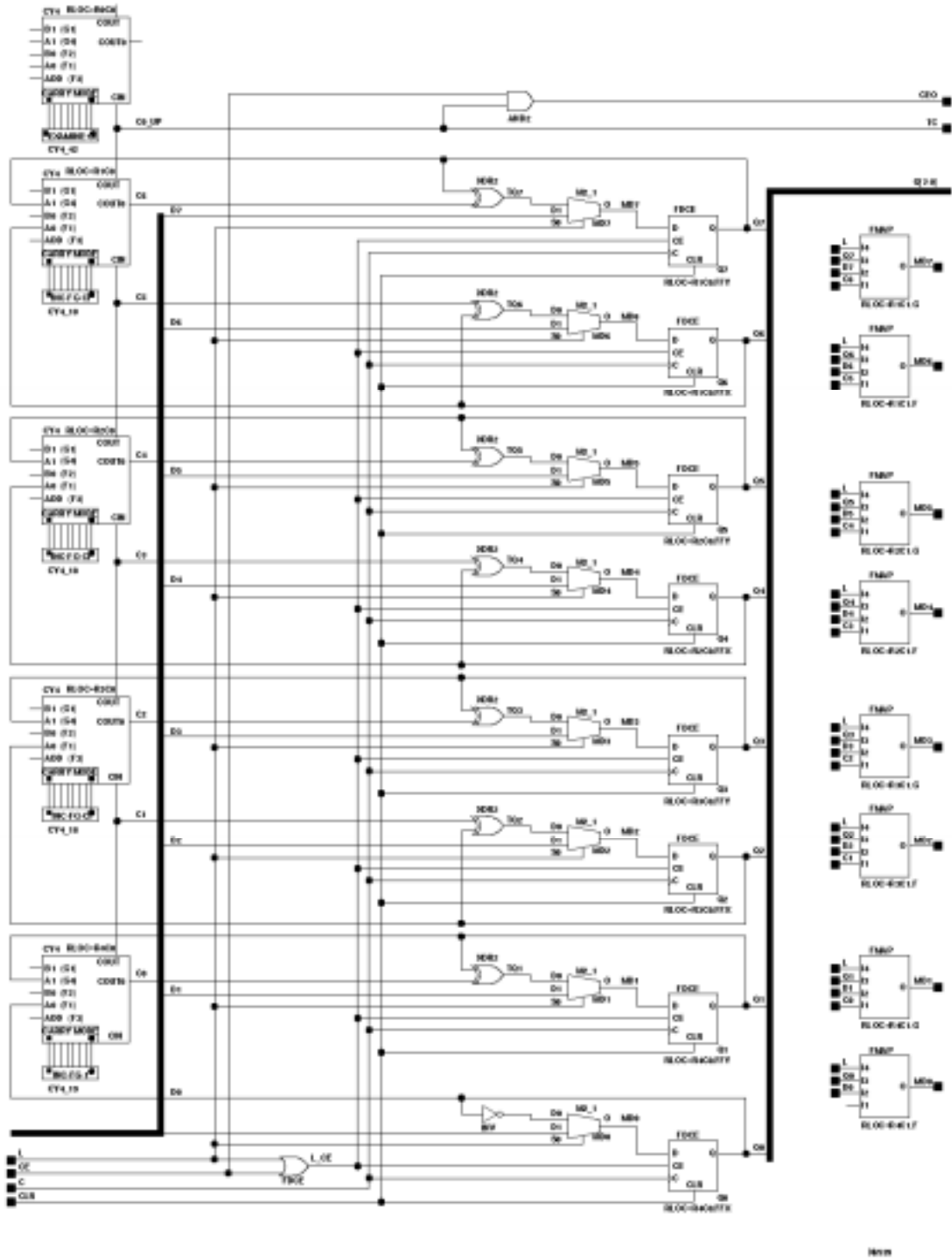
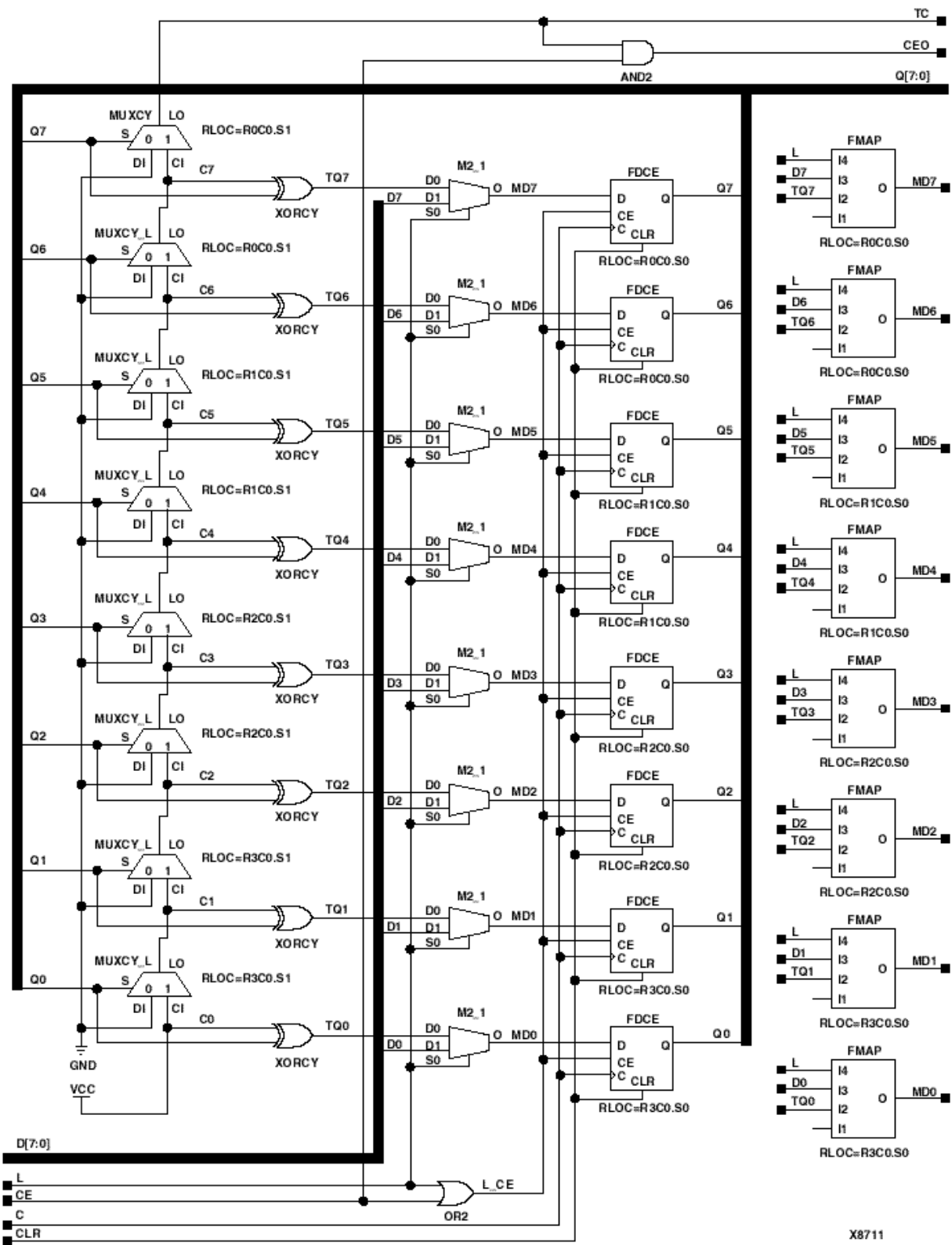


Figure 4-22CC8CLE Implementation XC5200



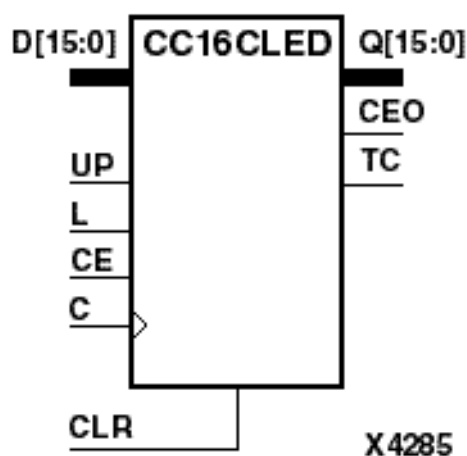
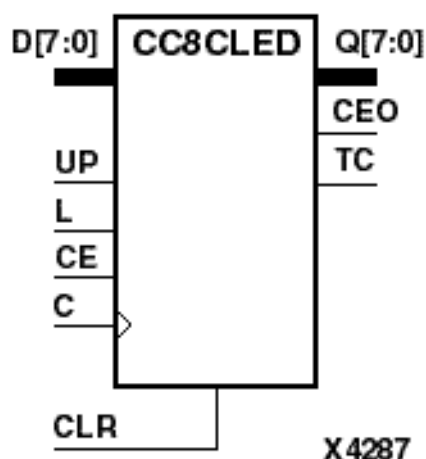


## CC8CLED, CC16CLED



## 8-, 16-Bit Loadable Cascadable Bidirectional Binary Counters with Clock Enable and Asynchronous Clear

XC3000	XC4000 E	XC4000 X	XC5200	XC9000	Spartan	Spartan XL	Virtex
N/A	Macro	Macro	Macro	N/A	Macro	Macro	Macro



CC8CLED and CC16CLED are, respectively, 8- and 16-bit (stage), synchronously loadable, asynchronously clearable, cascadable, bidirectional binary counters. These counters are implemented using carry logic with relative location constraints, which assures most efficient logic placement.

The asynchronous clear (CLR) is the highest priority input. When CLR is High, all other inputs are ignored; the Q outputs, terminal count (TC), and clock enable out (CEO) go to logic level zero, independent of clock transitions. The data on the D inputs is loaded into the counter when the load enable input (L) is High during the Low-to-High clock (C) transition, independent of the state of clock enable (CE). The Q outputs decrement when CE is High and UP is Low during the Low-to-High clock transition. The Q outputs increment when CE and UP are High. The counter ignores clock

transitions when CE is Low.

For counting up, the TC output is High when all Q outputs and UP are High. For counting down, the TC output is High when all Q outputs and UP are Low. To cascade counters, the count enable out (CEO) output of each counter is connected to the CE pin of the next stage. The clock, UP, L, and CLR inputs are connected in parallel. CEO is active (High) when TC and CE are High. The maximum length of the counter is determined by the accumulated CE-to-TC propagation delays versus the clock period. The clock period must be greater than  $n(t_{CE-TC})$ , where  $n$  is the number of stages and the time  $t_{CE-TC}$  is the CE-to-TC propagation delay of each stage. When cascading counters, use the CEO output if the counter uses the CE input; use the TC output if it does not.

The counter is asynchronously cleared, outputs Low, when power is applied. FPGAs simulate power-on when global reset (GR) or global set/reset (GSR) is active. GR (XC5200) and GSR (XC4000, Spartans, Virtex) default to active-High but can be inverted by adding an inverter in front of the GR/GSR input of the STARTUP or STARTUP\_VIRTEX symbol.

Inputs					Outputs			
CL R	L	CE	C	UP	Dz – D0	Qz – Q0	TC	CE O
1	X	X	X	X	X	0	0	0
0	1	X	↑	X	Dn	dn	TC	CE O
0	0	0	X	X	X	No Chg	No Chg	0
0	0	1	↑	1	X	Inc	TC	CE O
0	0	1	↑	0	X	Dec	TC	CE O

$z = 7$  for CC8CLED;  $z = 15$  for CC16CLED

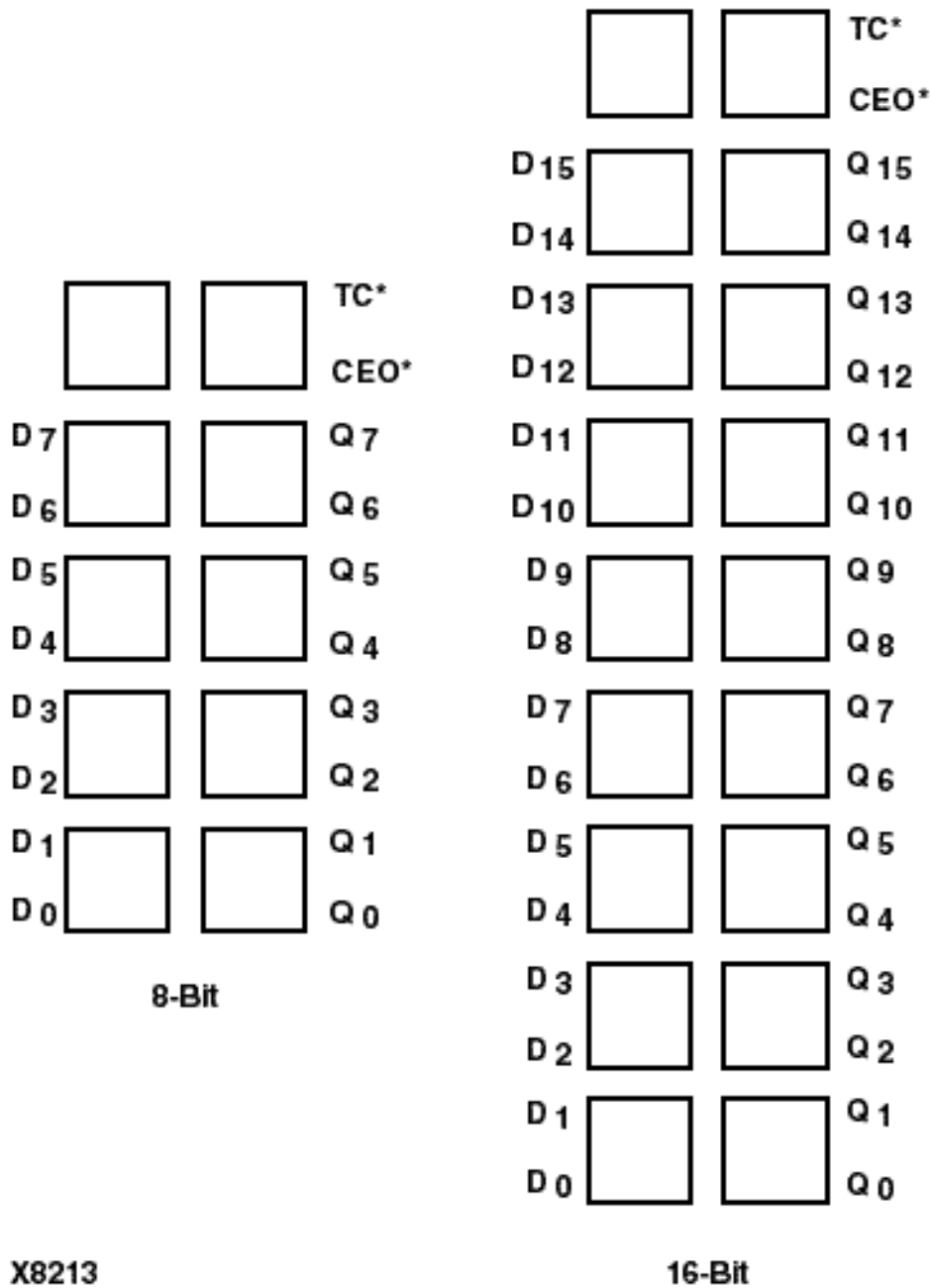
dn = state of referenced input (Dn) one setup time prior to active clock transition

$$TC = (\overline{Qz} \bullet \overline{Q(z-1)} \bullet \overline{Q(z-2)} \bullet \dots \bullet \overline{Q0} \bullet UP) + (Qz \bullet Q(z-1) \bullet Q(z-2) \bullet \dots \bullet Q0 \bullet UP)$$

$$CEO = TC \bullet CE$$

### Topology for XC4000 and Spartans

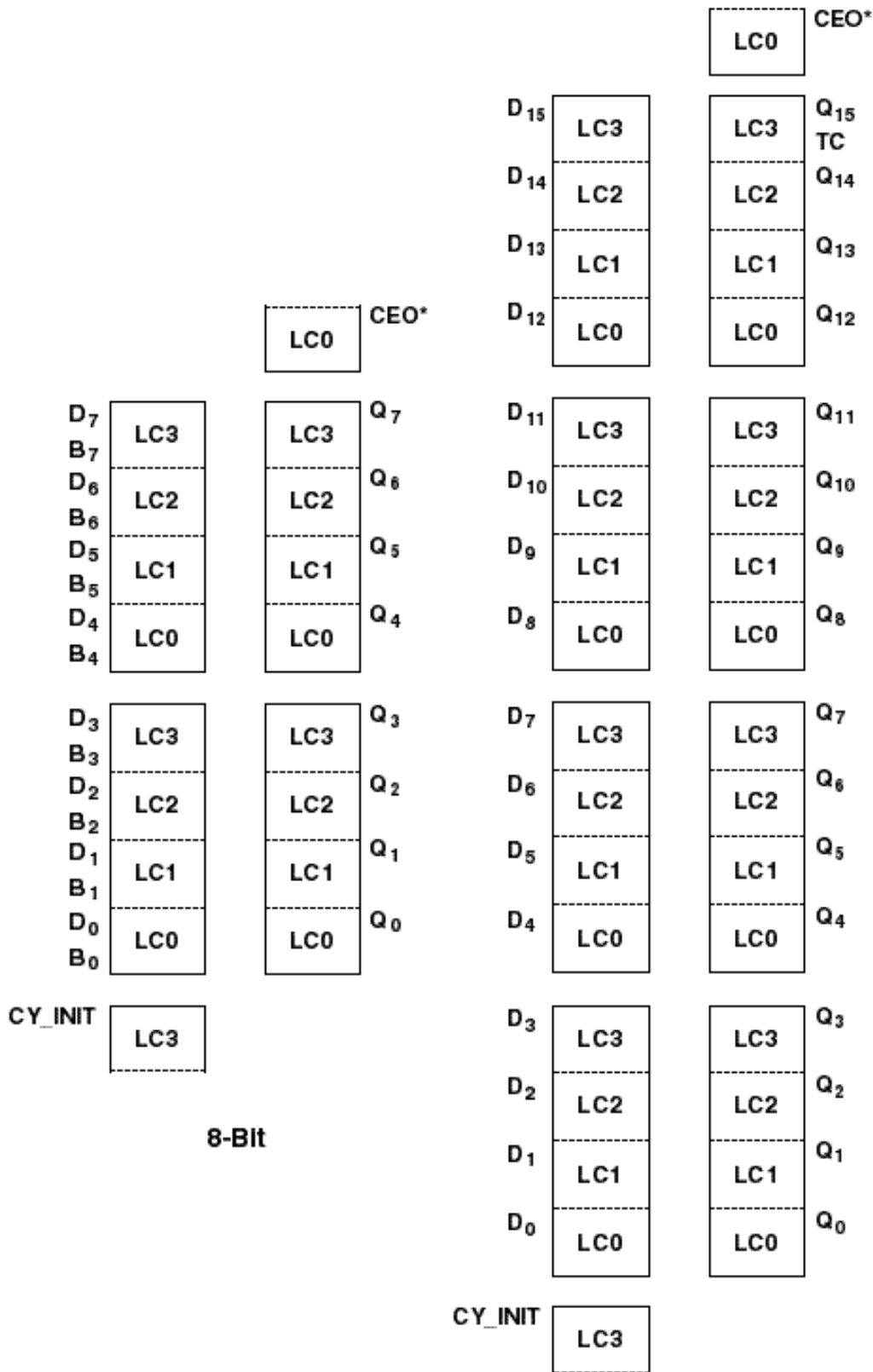
This is the CC8CLED (8-bit) and CC16CLED (16-bit) topology for XC4000 and Spartan series devices.



In the process of combining the logic that loads CEO and TC, the place and route software might map the logic that generates CEO and TC to different function generators. If this mapping occurs, the CEO and TC logic cannot be placed in the uppermost CLB as indicated in the illustration.

**Topology for XC5200**

This is the CC8CLED (8-bit) and CC16CLED (16-bit) topology for XC5200 devices.

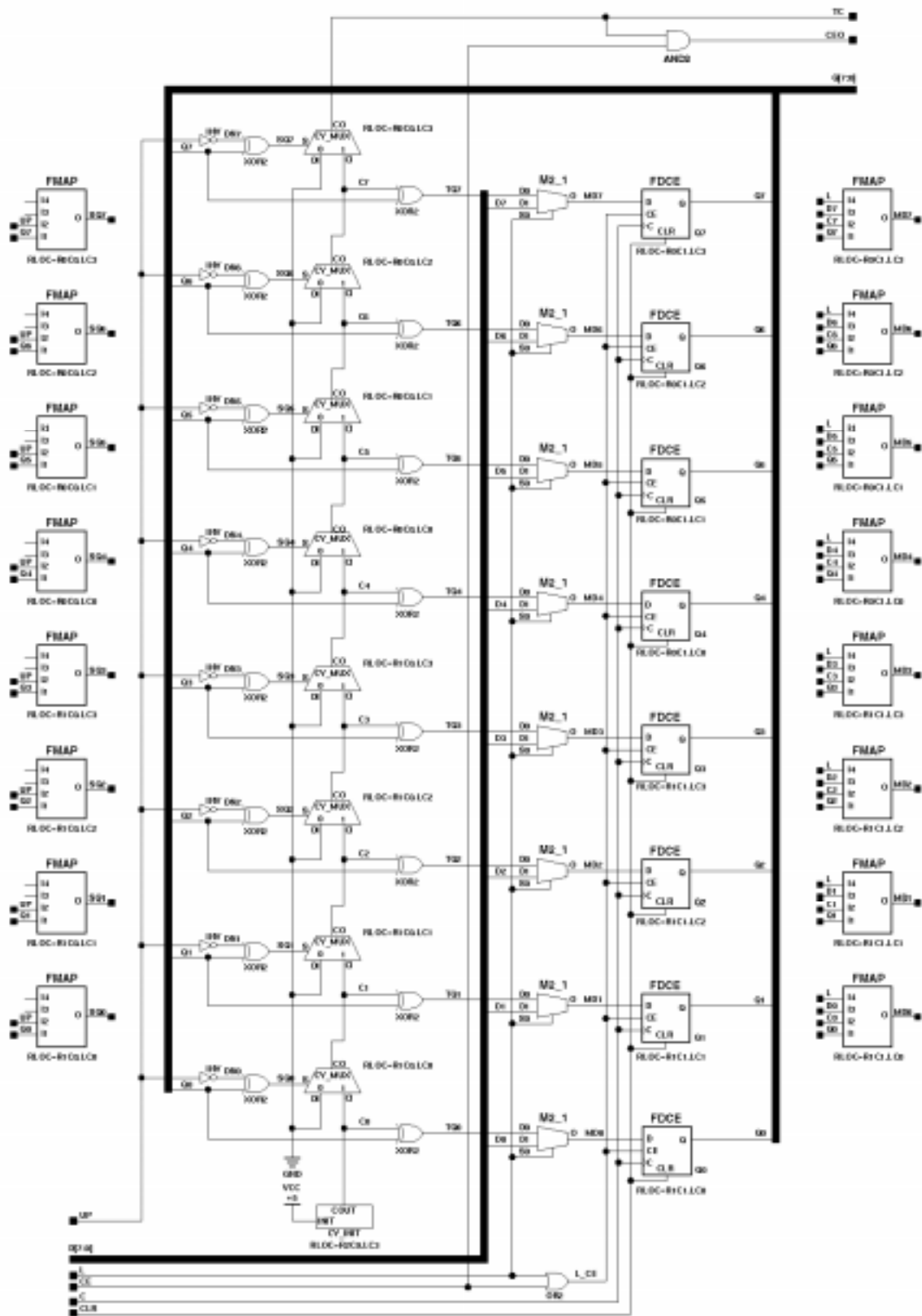


x8209

16-Bit



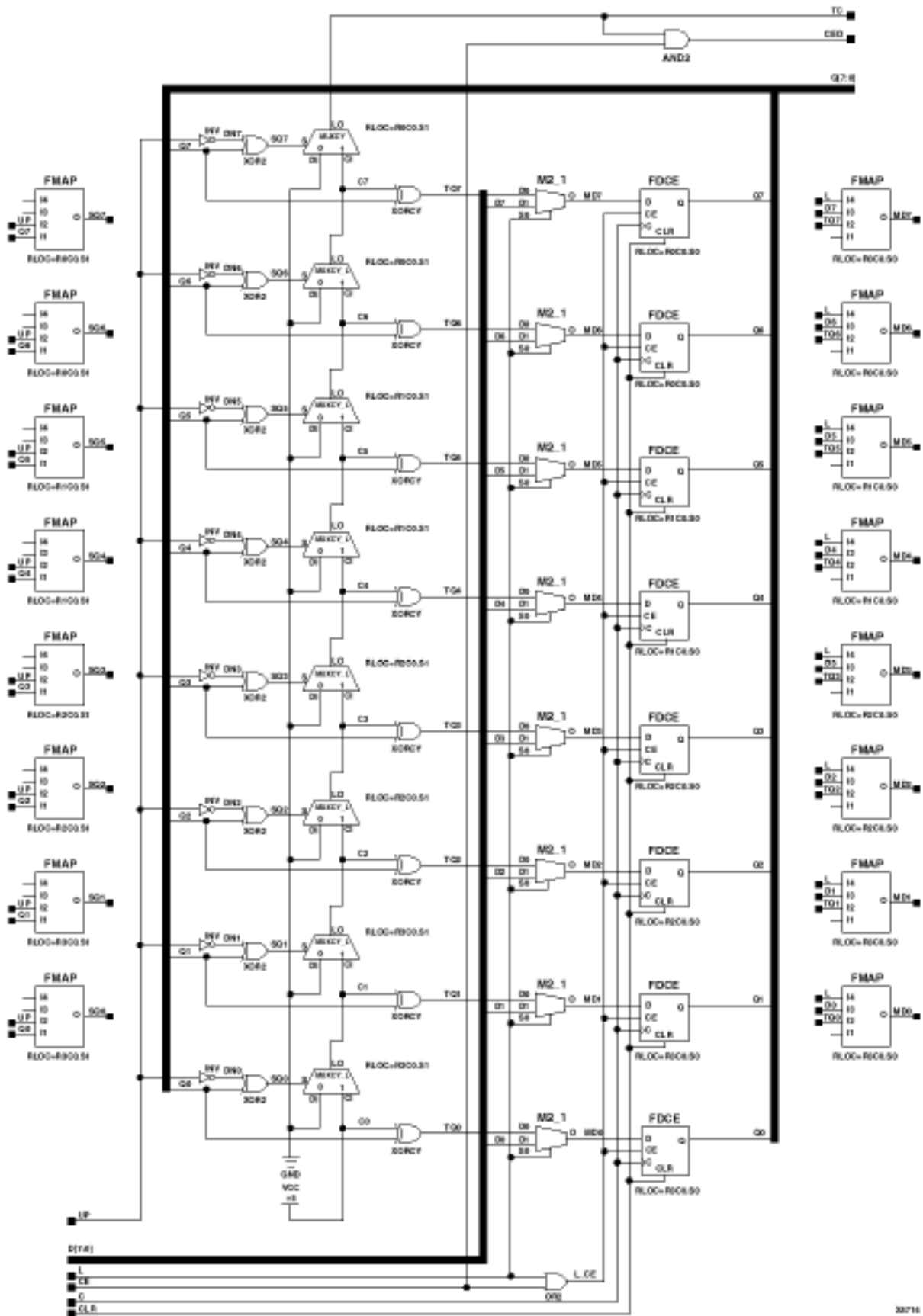
# Libraries Guide



10042

**Figure 4-26CC8LED Implementation Virtex**

Libraries Guide

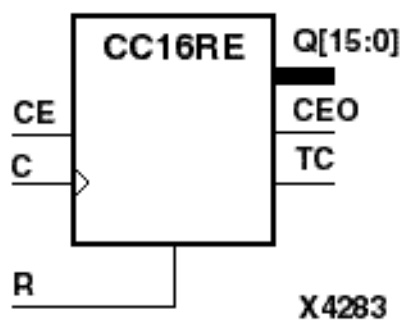
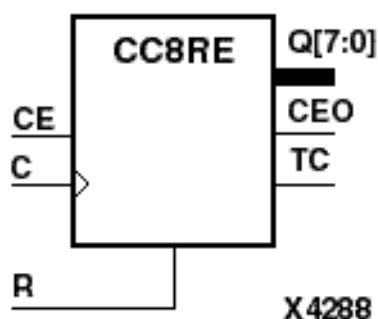




## CC8RE, CC16RE

### 8-, 16-Bit Cascadable Binary Counters with Clock Enable and Synchronous Reset

XC3000	XC4000 E	XC4000 X	XC5200	XC9000	Spartan	Spartan XL	Virtex
N/A	Macro	Macro	Macro	N/A	Macro	Macro	Macro



CC8RE and CC16RE are, respectively, 8- and 16-bit (stage), synchronous, resettable, cascadable binary counters. These counters are implemented using carry logic with relative location constraints to ensure efficient placement of logic. The synchronous reset (R) is the highest priority input. When R is High, all other inputs are ignored; the Q outputs, terminal count (TC), and clock enable out (CEO) go to logic level zero on the Low-to-High clock (C) transition. The Q outputs increment when the clock enable input (CE) is High during the Low-to-High clock transition. The counter ignores clock transitions when CE is Low. The TC output is High when all Q outputs and CE are High.

Larger counters are created by connecting the CEO output of the first stage to the CE input of the next stage and connecting the C and R inputs in parallel. CEO is active (High) when TC and CE are High. The maximum length of the counter is determined by the accumulated CE-to-TC propagation delays versus the clock period. The clock period must be greater than  $n(t_{CE-TC})$ , where  $n$  is the number of stages and the time  $t_{CE-TC}$  is the CE-to-TC propagation delay of each stage. When cascading counters, use the CEO output if the counter uses the CE input; use the TC output if it does

not.

The counter is asynchronously cleared, with Low outputs, when power is applied. FPGAs simulate power-on when global reset (GR) or global set/reset (GSR) is active. GR (XC5200) and GSR (XC4000, Spartans, Virtex) default to active-High but can be inverted by adding an inverter in front of the GR/GSR input of the STARTUP or STARTUP\_VIRTEX symbol.

Inputs			Outputs		
R	CE	C	Qz – Q0	TC	CEO
1	X	↑	0	0	0
0	0	X	No Chg	No Chg	0
0	1	↑	Inc	TC	CEO

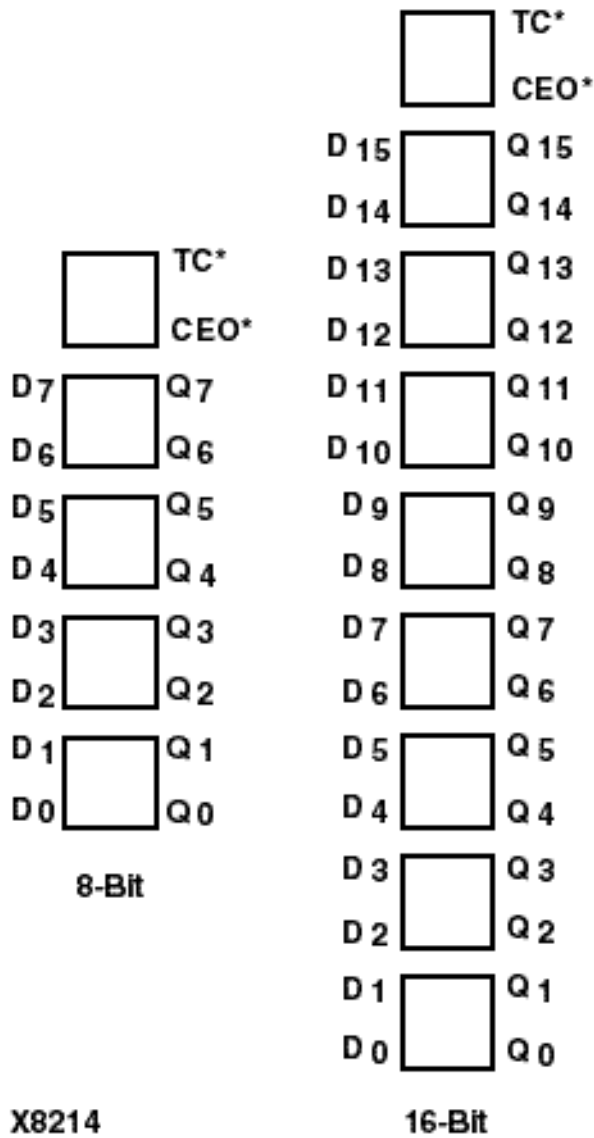
$z = 7$  for CC8RE;  $z = 15$  for CC16RE

$TC = Qz \bullet Q(z-1) \bullet Q(z-2) \bullet \dots \bullet Q0 \bullet CE$

$CEO = TC \bullet CE$

### Topology for XC4000 and Spartans

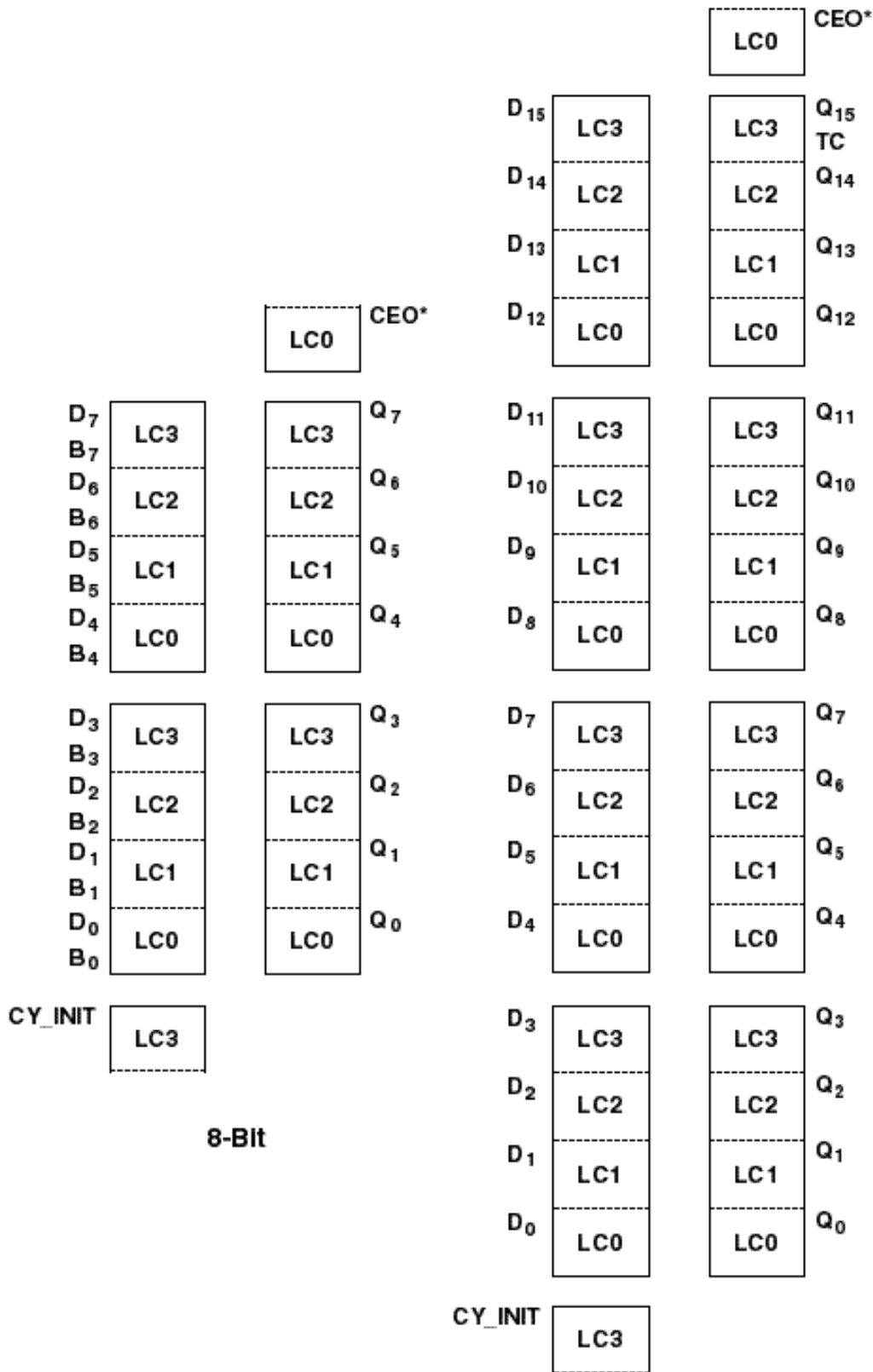
This is the CC8RE (8-bit) and CC16RE (16-bit) topology for XC4000 and Spartan series devices.



In the process of combining the logic that loads CEO and TC, the place and route software might map the logic that generates CEO and TC to different function generators. If this mapping occurs, the CEO and TC logic cannot be placed in the uppermost CLB as indicated in the illustration.

### Topology for XC5200

This is the CC8RE (8-bit) and CC16RE (16-bit) topology for XC5200 devices.

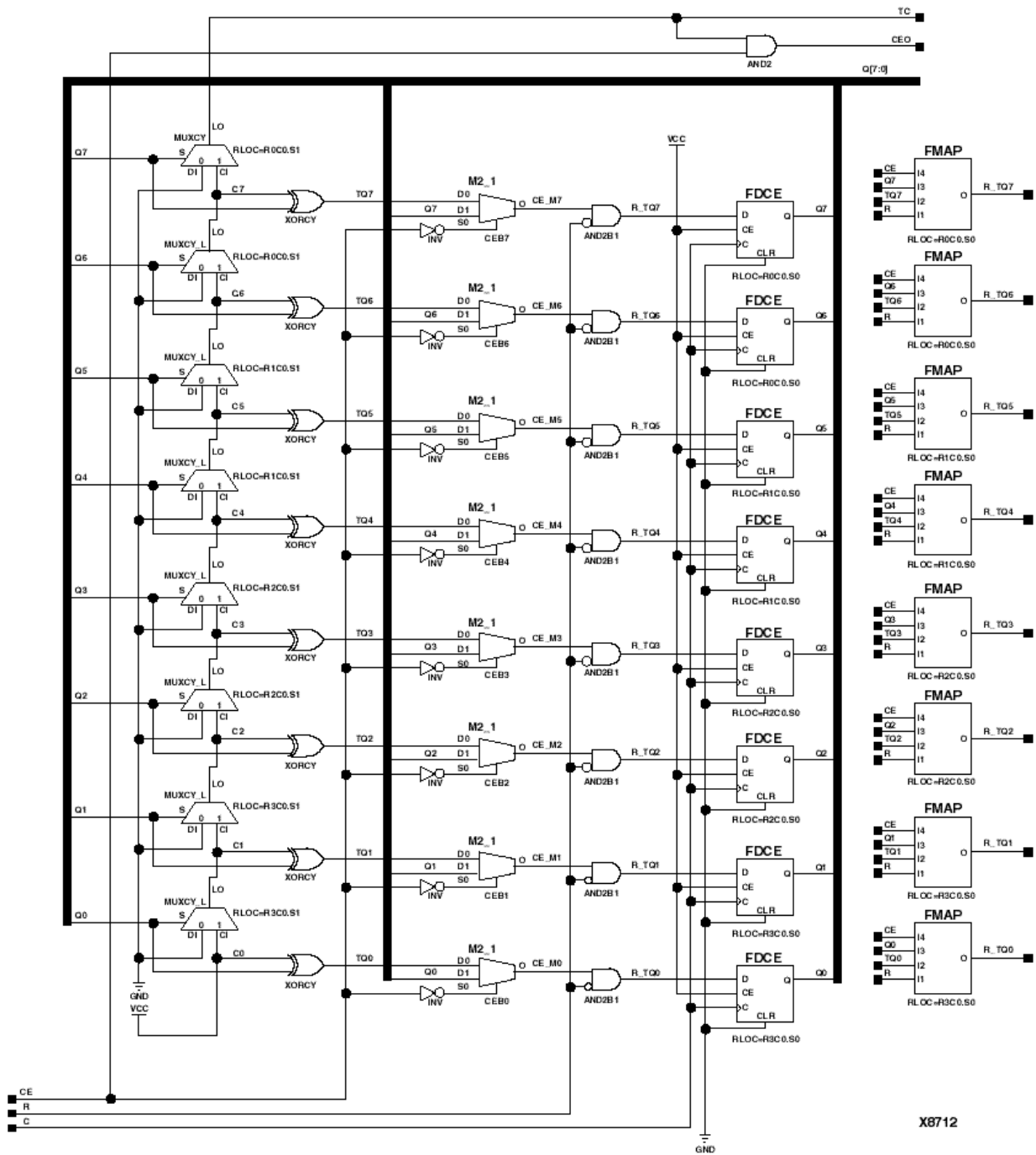


x8209

16-Bit





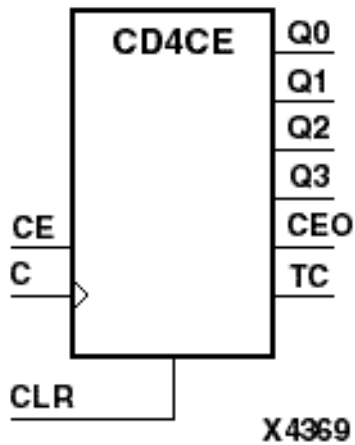


## CD4CE

4-Bit Cascadable BCD Counter with Clock Enable and Asynchronous Clear

XC3000 XC4000 XC4000 XC5200 XC9000 Spartan Spartan Virtex

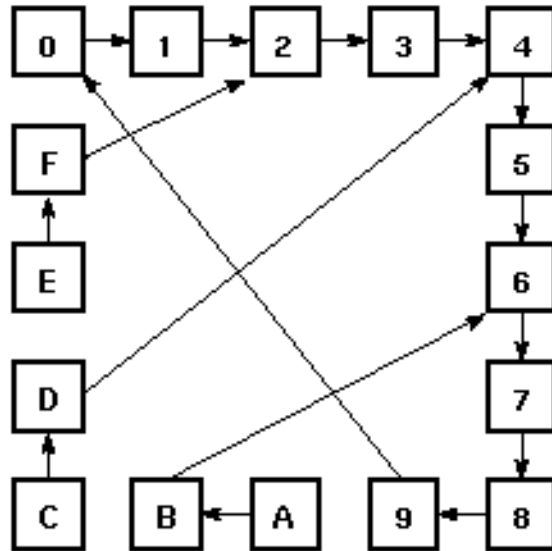
E		X				XL	
Macro	Macro	Macro	Macro	Macro	Macro	Macro	Macro



CD4CE is a 4-bit (stage), asynchronous, clearable, cascadable binary-coded-decimal (BCD) counter. The asynchronous clear input (CLR) is the highest priority input. When CLR is High, all other inputs are ignored; the Q outputs, terminal count (TC), and clock enable out (CEO) go to logic level zero, independent of clock transitions. The Q outputs increment when clock enable (CE) is High during the Low-to-High clock (C) transition. The counter ignores clock transitions when CE is Low. The TC output is High when Q3 and Q0 are High and Q2 and Q1 are Low.

The counter recovers from any of six possible illegal states and returns to a normal count sequence within two clock cycles for FPGA architectures, as shown in the following state diagram. For XC9000, the counter resets to zero or recovers within the first clock cycle.





X2355

Larger counters are created by connecting the count enable out (CEO) output of the first stage to the CE input of the next stage and connecting the CLR and clock inputs in parallel. CEO is active (High) when TC and CE are High. The maximum length of the counter is determined by the accumulated CE-to-TC propagation delays versus the clock period. The clock period must be greater than  $n(t_{CE-TC})$ , where  $n$  is the number of stages and the time  $t_{CE-TC}$  is the CE-to-TC propagation delay of each stage. When cascading counters, use the CEO output if the counter uses the CE input; use the TC output if it does not.

The counter is asynchronously cleared, output Low, when power is applied. For CPLDs, the power-on condition can be simulated by applying a High-level pulse to the PRLD global net. FPGAs simulate power-on when global reset (GR) or global set/reset (GSR) is active. GR for XC3000 is active-Low. GR for XC5200 and GSR (XC4000, Spartans, Virtex) default to active-High but can be inverted by adding an inverter in front of the GR/GSR input of the STARTUP or STARTUP\_VIRTEX symbol.

Inputs			Outputs					
CL R	CE	C	Q3	Q2	Q1	Q0	TC	CE O
1	X	X	0	0	0	0	0	0

0	1	↑	Inc	Inc	Inc	Inc	TC	CE
<hr/>								
0	0	X	No Chg	No Chg	No Chg	No Chg	TC	0
<hr/>								
0	1	X	1	0	0	1	1	1
<hr/>								

$TC = Q3 \cdot \overline{Q2} \cdot \overline{Q1} \cdot Q0$   
 $CEO = TC \cdot CE$

Figure 4-30CD4CE Implementation XC3000, XC4000, XC5200, Spartans, Virtex

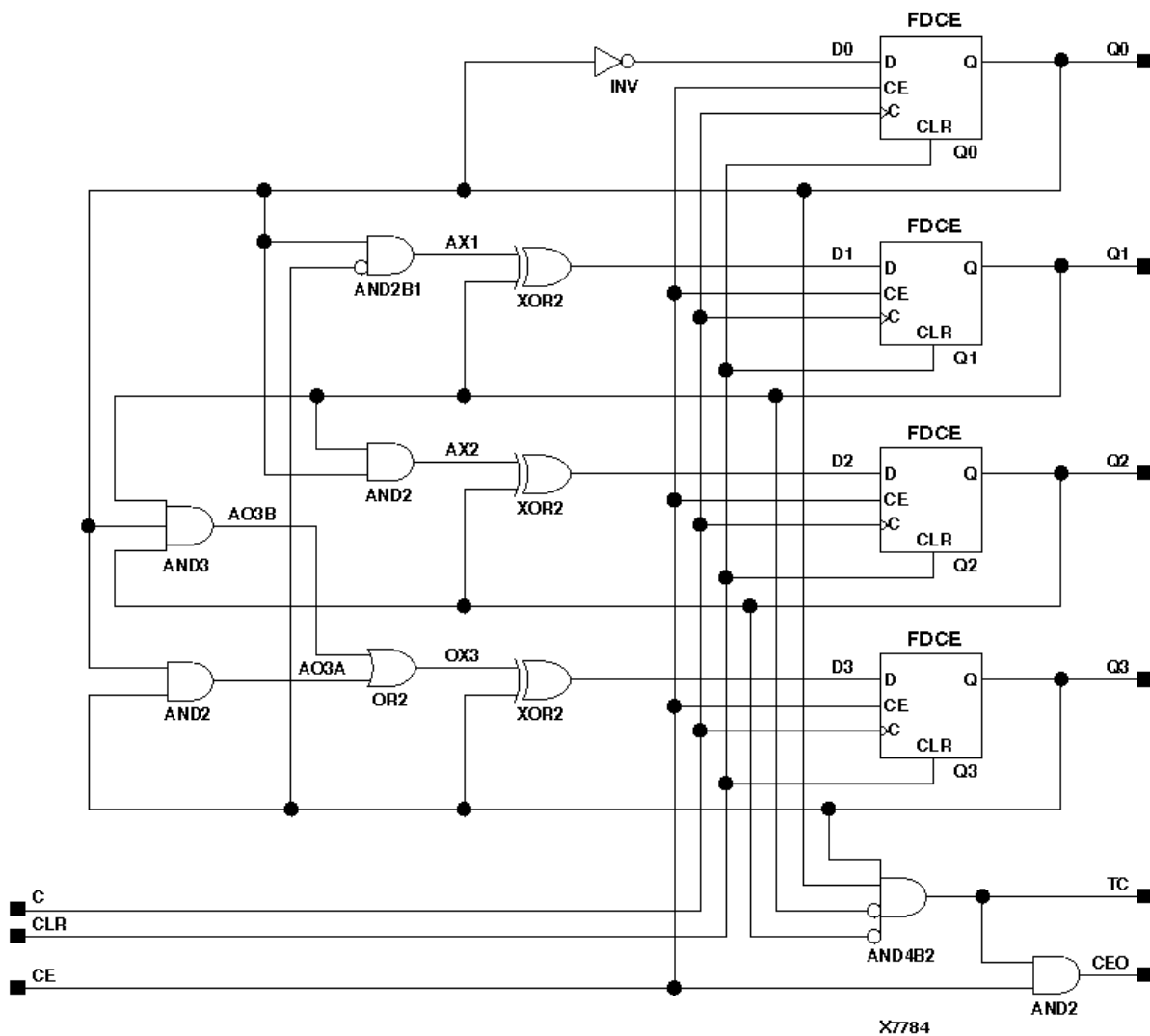
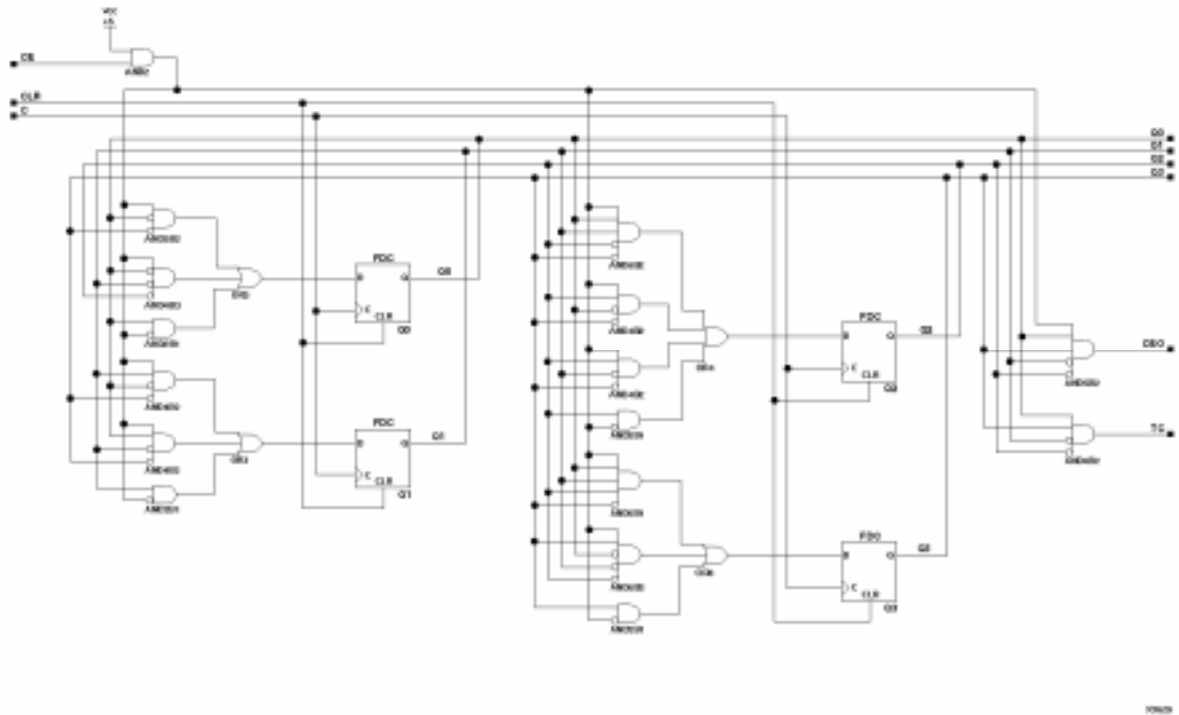


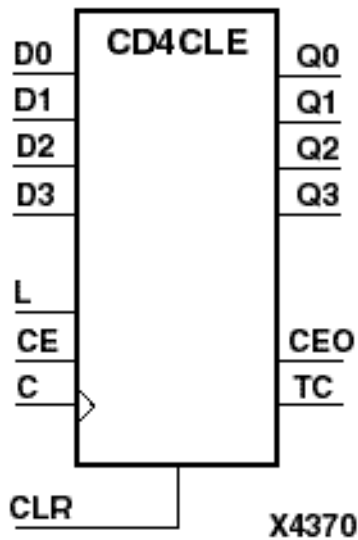
Figure 4-31CD4CE Implementation XC9000



## CD4CLE

### 4-Bit Loadable Cascadable BCD Counter with Clock Enable and Asynchronous Clear

XC3000	XC4000 E	XC4000 X	XC5200	XC9000	Spartan	Spartan XL	Virtex
Macro	Macro	Macro	Macro	Macro	Macro	Macro	Macro



CD4CLE is a 4-bit (stage), synchronously loadable, asynchronously clearable, binary-coded-decimal (BCD) counter. The asynchronous clear input (CLR) is the highest priority input. When CLR is High, all other inputs are ignored; the Q outputs, terminal count (TC), and clock enable out (CEO) go to logic level zero, independent of clock transitions. The data on the D inputs is loaded into the counter when the load enable input (L) is High during the Low-to-High clock (C) transition. The Q outputs increment when clock enable input (CE) is High during the Low- to-High clock transition. The counter ignores clock transitions when CE is Low. The TC output is High when Q3 and Q0 are High and Q2 and Q1 are Low.

The counter recovers from any of six possible illegal states and returns to a normal count sequence within two clock cycles for FPGAs, as shown in the following state diagram. For XC9000, the counter resets to zero or recovers within the first clock cycle.



*Libraries Guide*

1	X	X	X	X	0	0	0	0	0	0
0	1	X	D3 – D0	↑	d3	d2	d1	d0	T	C
									C	E
										O
0	0	1	X	↑	Inc	Inc	Inc	Inc	T	C
									C	E
										O
0	0	0	X	X	No Chg	No Chg	No Chg	No Chg	T	0
									C	
0	0	1	X	X	1	0	0	1	1	1

d = state of referenced input one setup time prior to active clock transition

$$TC = Q3 \cdot \overline{Q2} \cdot \overline{Q1} \cdot Q0$$

$$CEO = TC \cdot CE$$

**Figure 4-32CD4CLE Implementation XC3000**

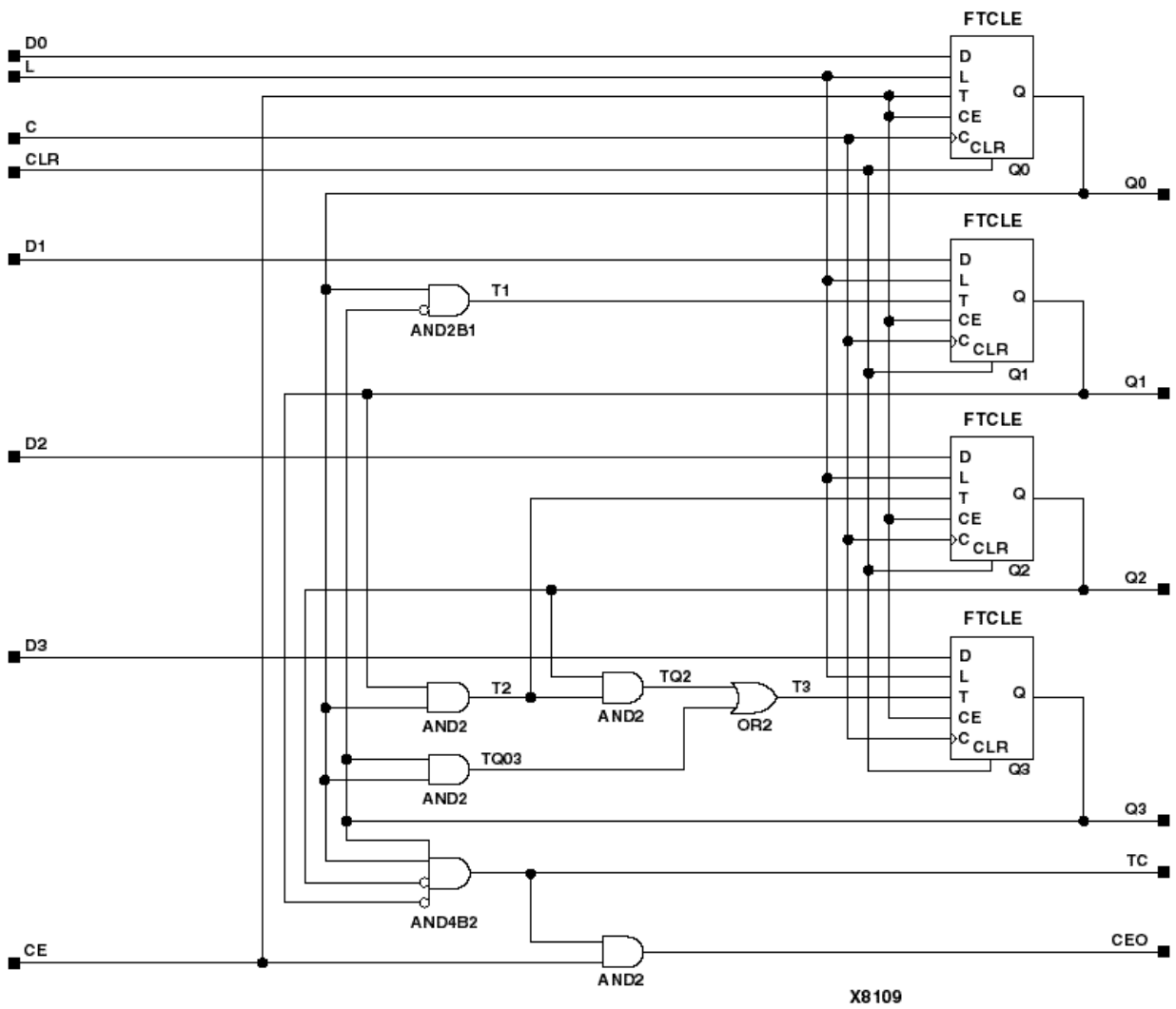


Figure 4-33CD4CLE Implementation XC4000, XC5200, Spartans, Virtex

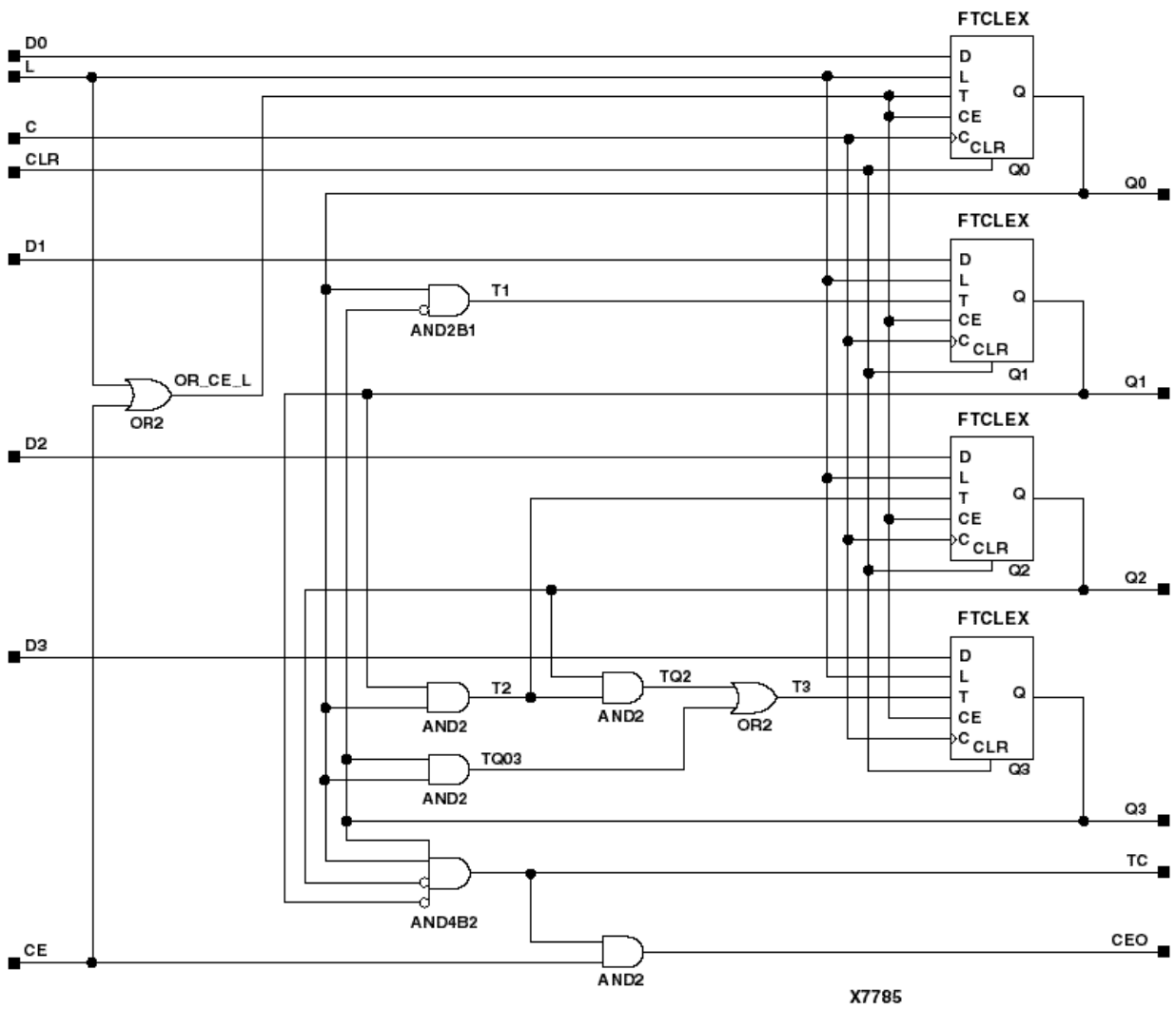
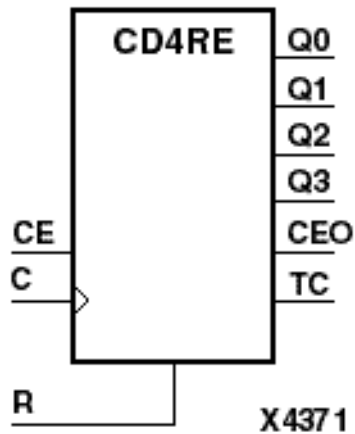


Figure 4-34CD4CLE Implementation XC9000







CD4RE is a 4-bit (stage), synchronous, resettable, cascadable binary-coded-decimal (BCD) counter. The synchronous reset input (R) is the highest priority input. When R is High, all other inputs are ignored; the Q outputs, terminal count (TC), and clock enable out (CEO) go to logic level zero on the Low-to-High clock (C) transition. The Q outputs increment when the clock enable input (CE) is High during the Low-to-High clock transition. The counter ignores clock transitions when CE is Low. The TC output is High when Q3 and Q0 are High and Q2 and Q1 are Low.

The counter recovers from any of six possible illegal states and returns to a normal count sequence within two clock cycles for FPGAs, as shown in the following state diagram. For XC9000, the counter resets to zero or recovers within the first clock cycle.

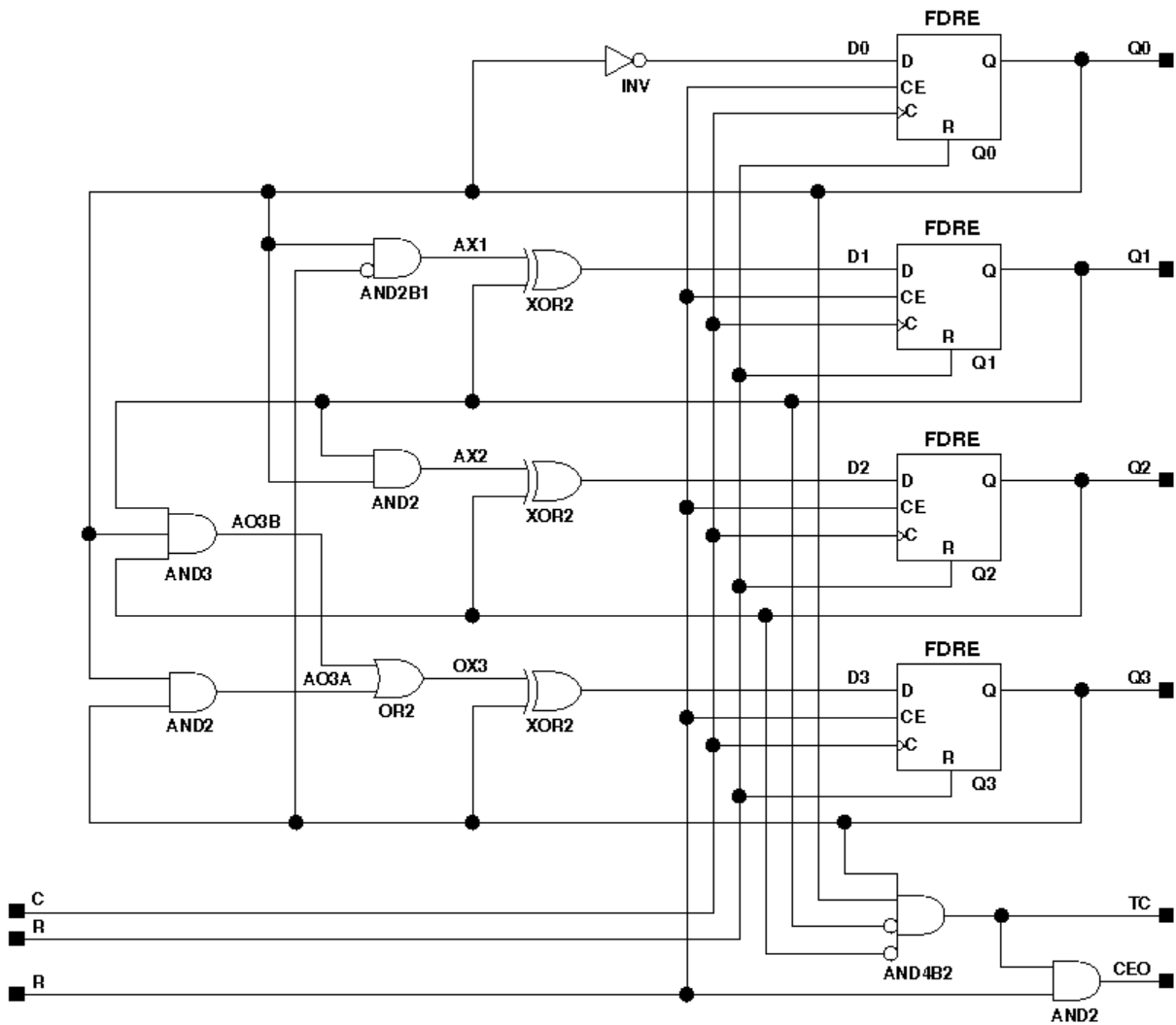


0	1	↑	Inc	Inc	Inc	Inc	TC	CE
<hr/>								
0	0	X	No Chg	No Chg	No Chg	No Chg	TC	0
<hr/>								
0	1	X	1	0	0	1	1	1
<hr/>								

$TC = Q3 \cdot \overline{Q2} \cdot \overline{Q1} \cdot Q0$   
 $CEO = TC \cdot CE$

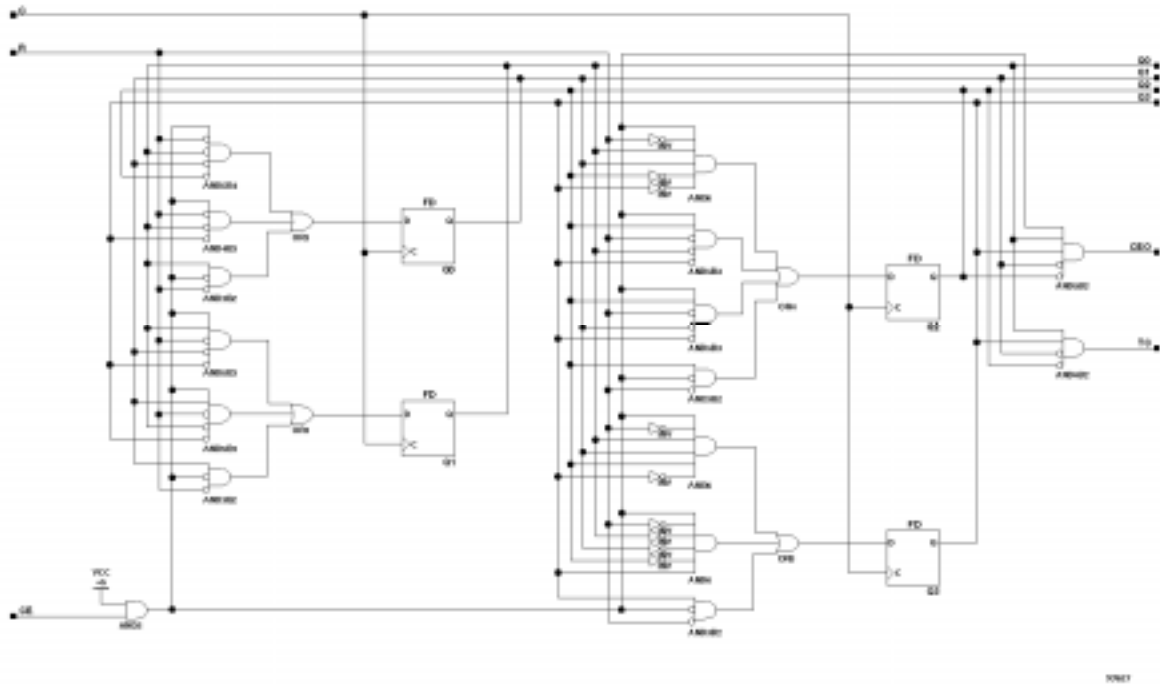
---

Figure 4-35CD4RE Implementation XC3000, XC4000, XC5200, Spartans, Virtex



X7786

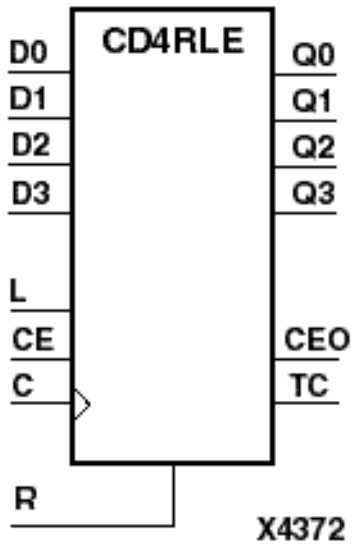
Figure 4-36CD4RE Implementation XC9000



## CD4RLE

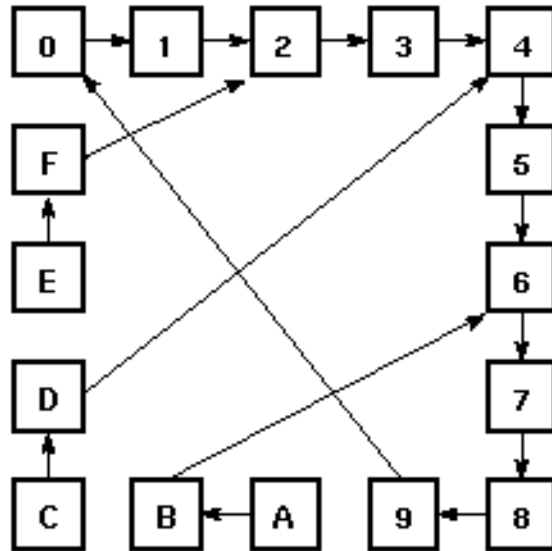
### 4-Bit Loadable Cascadable BCD Counter with Clock Enable and Synchronous Reset

XC3000	XC4000 E	XC4000 X	XC5200	XC9000	Spartan	Spartan XL	Virtex
Macro	Macro	Macro	Macro	Macro	Macro	Macro	Macro



CD4RLE is a 4-bit (stage), synchronous, loadable, resettable, binary-coded-decimal (BCD) counter. The synchronous reset input (R) is the highest priority input. When R is High, all other inputs are ignored; the Q outputs, terminal count (TC), and clock enable out (CEO) go to logic level zero on the Low-to-High clock transitions. The data on the D inputs is loaded into the counter when the load enable input (L) is High during the Low-to-High clock (C) transition. The Q outputs increment when the clock enable input (CE) is High during the Low-to-High clock transition. The counter ignores clock transitions when CE is Low. The TC output is High when Q3 and Q0 are High and Q2 and Q1 are Low.

The counter recovers from any of six possible illegal states and returns to a normal count sequence within two clock cycles for FPGAs, as shown in the following state diagram. For XC9000, the counter resets to zero or recovers within the first clock cycle.



X2355

Larger counters are created by connecting the count enable out (CEO) output of the first stage to the CE input of the next stage and connecting the R, L, and C inputs in parallel. CEO is active (High) when TC and CE are High. The maximum length of the counter is determined by the accumulated CE-to-TC propagation delays versus the clock period. The clock period must be greater than  $n(t_{CE-TC})$ , where  $n$  is the number of stages and the time  $t_{CE-TC}$  is the CE-to-TC propagation delay of each stage. When cascading counters, use the CEO output if the counter uses the CE input; use the TC output if it does not.

The counter is asynchronously cleared, output Low, when power is applied. For CPLDs, the power-on condition can be simulated by applying a High-level pulse on the PRLD global net. FPGAs simulate power-on when global reset (GR) or global set/reset (GSR) is active. GR for XC3000 is active-Low. GR for XC5200 and GSR (XC4000, Spartans, Virtex) default to active-High but can be inverted by adding an inverter in front of the GR/GSR input of the STARTUP or STARTUP\_VIRTEX symbol.

Inputs				Outputs						
R	L	C	D3 –	C	Q3	Q2	Q1	Q0	T	C
		E	D0						C	E
										O

*Libraries Guide*

1	X	X	X	↑	0	0	0	0	0	0	
<hr/>											
0	1	X	D3 – D0	↑	d3	d2	d1	d0	T	C	
										C	E
										O	
<hr/>											
0	0	1	X	↑	Inc	Inc	Inc	Inc	T	C	
										C	E
										O	
<hr/>											
0	0	0	X	X	No Chg	No Chg	No Chg	No Chg	T	0	
										C	
<hr/>											
0	0	1	X	X	1	0	0	1	1	1	
<hr/>											

d = state of referenced input one setup time prior to active clock transition

$$TC = Q3 \bullet \overline{Q2} \bullet \overline{Q1} \bullet Q0$$

$$CEO = TC \bullet CE$$

**Figure 4-37CD4RLE Implementation XC3000, XC4000, XC5200, Spartans, Virtex**



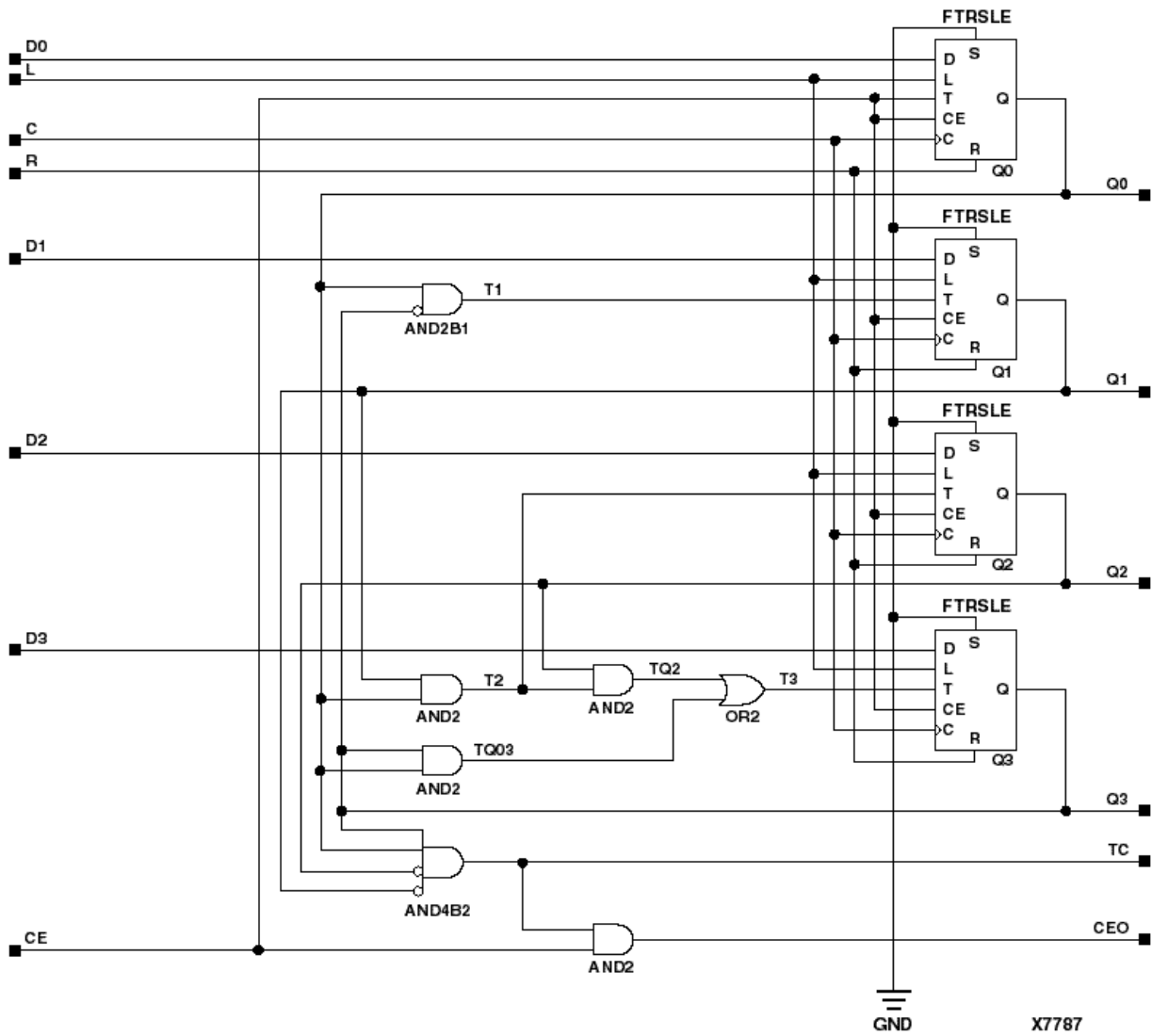
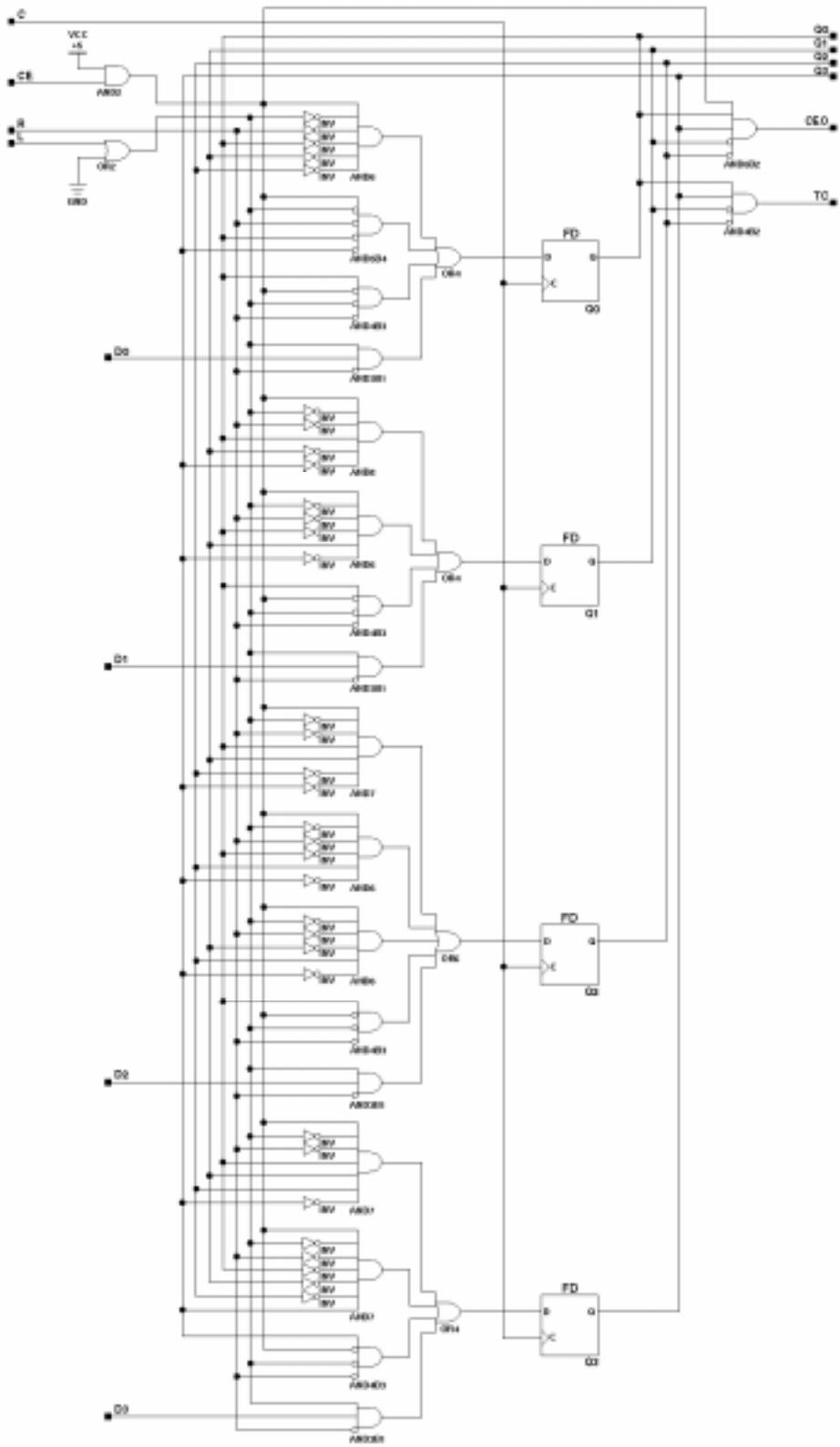


Figure 4-38CD4RLE Implementation XC9000

Libraries Guide

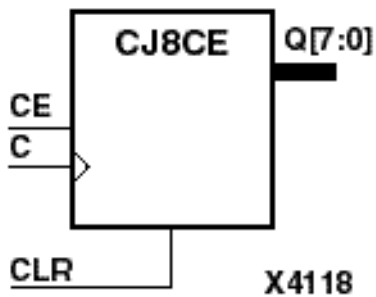
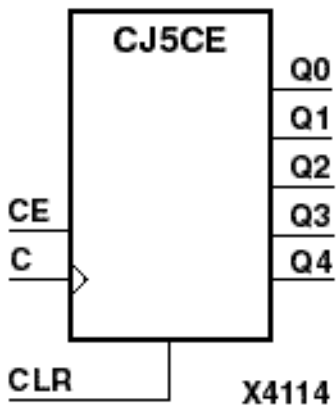
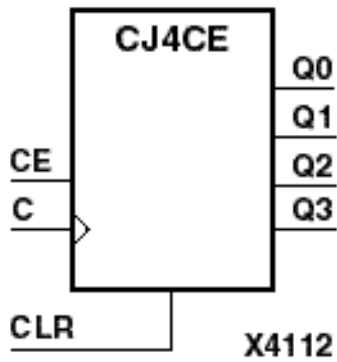


90

## CJ4CE, CJ5CE, CJ8CE

### 4-, 5-, 8-Bit Johnson Counters with Clock Enable and Asynchronous Clear

XC3000	XC4000 E	XC4000 X	XC5200	XC9000	Spartan	Spartan XL	Virtex
Macro	Macro	Macro	Macro	Macro	Macro	Macro	Macro



## Libraries Guide

CJ4CE, CJ5CE, and CJ8CE are clearable Johnson/shift counters. The asynchronous clear (CLR) input, when High, overrides all other inputs and causes the data (Q) outputs to go to logic level zero, independent of clock (C) transitions. The counter increments (shifts Q0 to Q1, Q1 to Q2, and so forth) when the clock enable input (CE) is High during the Low-to-High clock transition. Clock transitions are ignored when CE is Low.

For CJ4CE, the Q3 output is inverted and fed back to input Q0 to provide continuous counting operation. For CJ5CE, the Q4 output is inverted and fed back to input Q0. For CJ8CE, the Q7 output is inverted and fed back to input Q0.

The counter is asynchronously cleared, output Low, when power is applied. For CPLDs, the power-on condition can be simulated by applying a High-level pulse on the PRLD global net. FPGAs simulate power-on when global reset (GR) or global set/reset (GSR) is active. GR for XC3000 is active-Low. GR for XC5200 and GSR (XC4000, Spartans, Virtex) default to active-High but can be inverted by adding an inverter in front of the GR/GSR input of the STARTUP or STARTUP\_VIRTEX symbol.

Inputs			Outputs			
CLR	CE	C	Q0	Q1	Q2	Q3
1	X	X	0	0	0	0
0	0	X	No Chg	No Chg	No Chg	No Chg
0	1	↑	$\overline{q3}$	q0	q1	q2

q = state of referenced output one setup time prior to active clock transition

CJ4CE Truth Table

Inputs			Outputs				
CLR	CE	C	Q0	Q1	Q2	Q3	Q4
1	X	X	0	0	0	0	0
0	0	X	No Chg	No Chg	No Chg	No Chg	No Chg
0	1	↑	$\overline{q4}$	q0	q1	q2	q3

q = state of referenced output one setup time prior to active clock transition

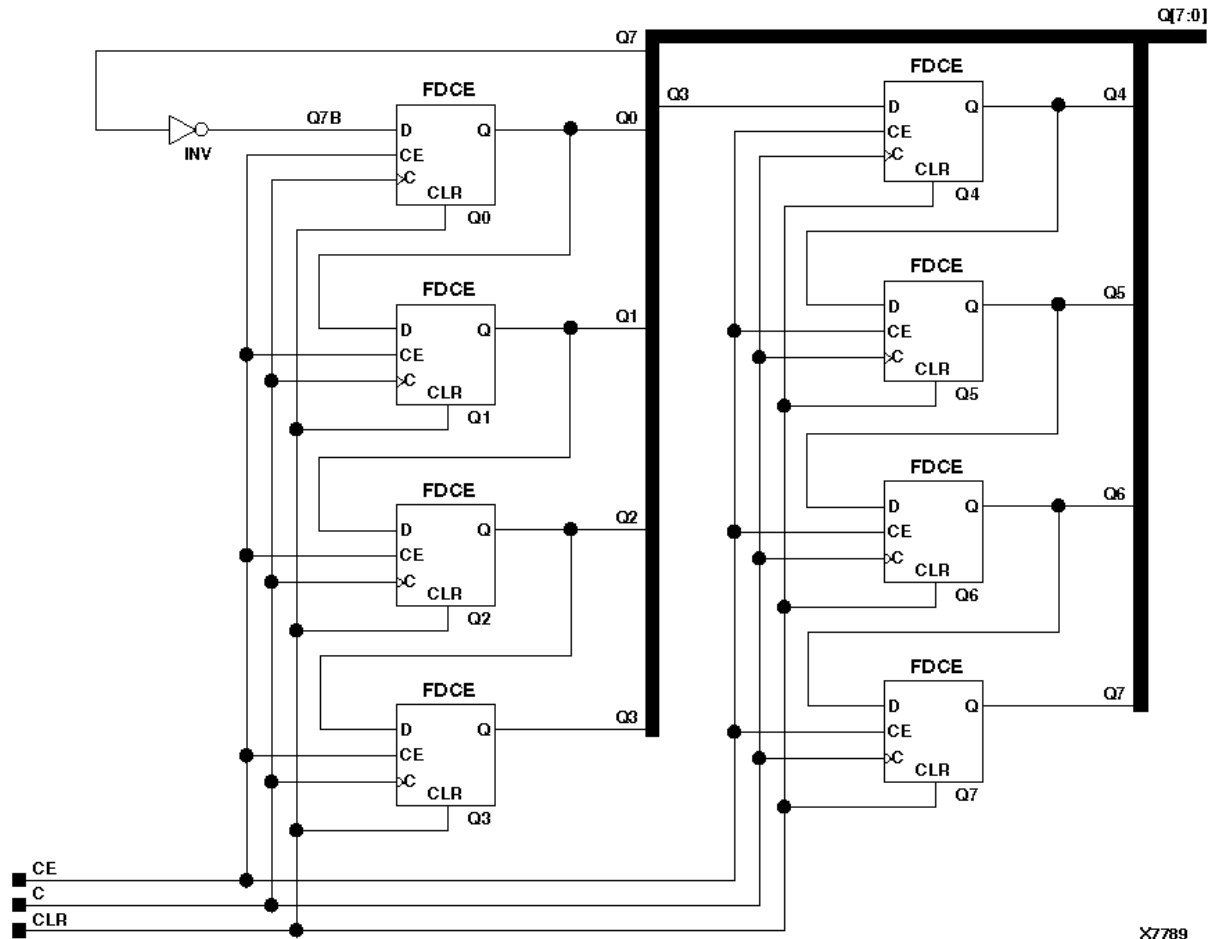
CJ5CE Truth Table

Inputs			Outputs	
CLR	CE	C	Q0	Q1 – Q7
1	X	X	0	0
0	0	X	No Chg	No Chg
0	1	↑	$\overline{q7}$	q0 – q6

q = state of referenced output one setup time prior to active clock transition

CJ8CE Truth Table

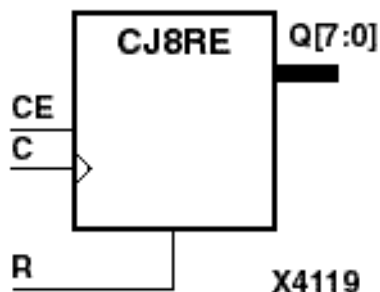
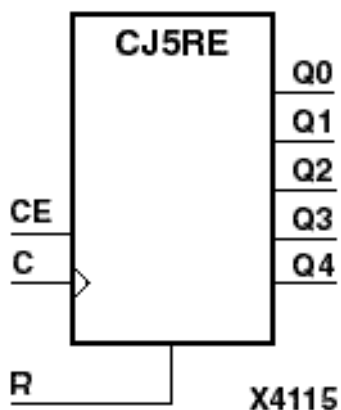
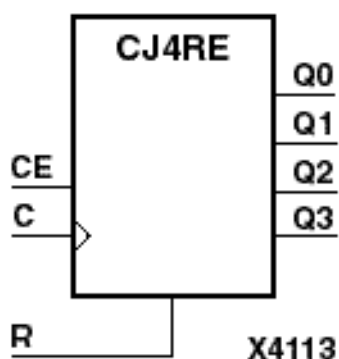
Figure 4-39CJ8CE Implementation XC3000, XC4000, XC5200, XC9000, Spartans, Virtex



## CJ4RE, CJ5RE, CJ8RE

## 4-, 5-, 8-Bit Johnson Counters with Clock Enable and Synchronous Reset

XC3000	XC4000 E	XC4000 X	XC5200	XC9000	Spartan	Spartan XL	Virtex
Macro	Macro	Macro	Macro	Macro	Macro	Macro	Macro



CJ4RE, CJ5RE, and CJ8RE are resettable Johnson/shift counters. The synchronous reset (R) input, when High, overrides all other inputs and causes the data (Q) outputs to go to logic level zero during the Low-to-High clock (C) transition. The counter increments (shifts Q0 to Q1, Q1 to Q2, and so forth) when the clock enable input (CE) is High

## Libraries Guide

during the Low-to-High clock transition. Clock transitions are ignored when CE is Low.

For CJ4RE, the Q3 output is inverted and fed back to input Q0 to provide continuous counting operation. For CJ5RE, the Q4 output is inverted and fed back to input Q0. For CJ8RE, the Q7 output is inverted and fed back to input Q0.

The counter is asynchronously cleared, output Low, when power is applied. For CPLDs, the power-on condition can be simulated by applying a High-level pulse on the PRLD global net. FPGAs simulate power-on when global reset (GR) or global set/reset (GSR) is active. GR for XC3000 is active-Low. GR for XC5200 and GSR (XC4000, Spartans, Virtex) default to active-High but can be inverted by adding an inverter in front of the GR/GSR input of the STARTUP or STARTUP\_VIRTEX symbol.

Inputs			Outputs			
R	CE	C	Q0	Q1	Q2	Q3
1	X	↑	0	0	0	0
0	0	X	No Chg	No Chg	No Chg	No Chg
0	1	↑	$\overline{q3}$	q0	q1	q2

q = state of referenced output one setup time prior to active clock transition

CJ4RE Truth Table

Inputs			Outputs				
R	CE	C	Q0	Q1	Q2	Q3	Q4
1	X	↑	0	0	0	0	0
0	0	X	No Chg	No Chg	No Chg	No Chg	No Chg
0	1	↑	$\overline{q4}$	q0	q1	q2	q3

q = state of referenced output one setup time prior to active clock transition

CJ5RE Truth Table

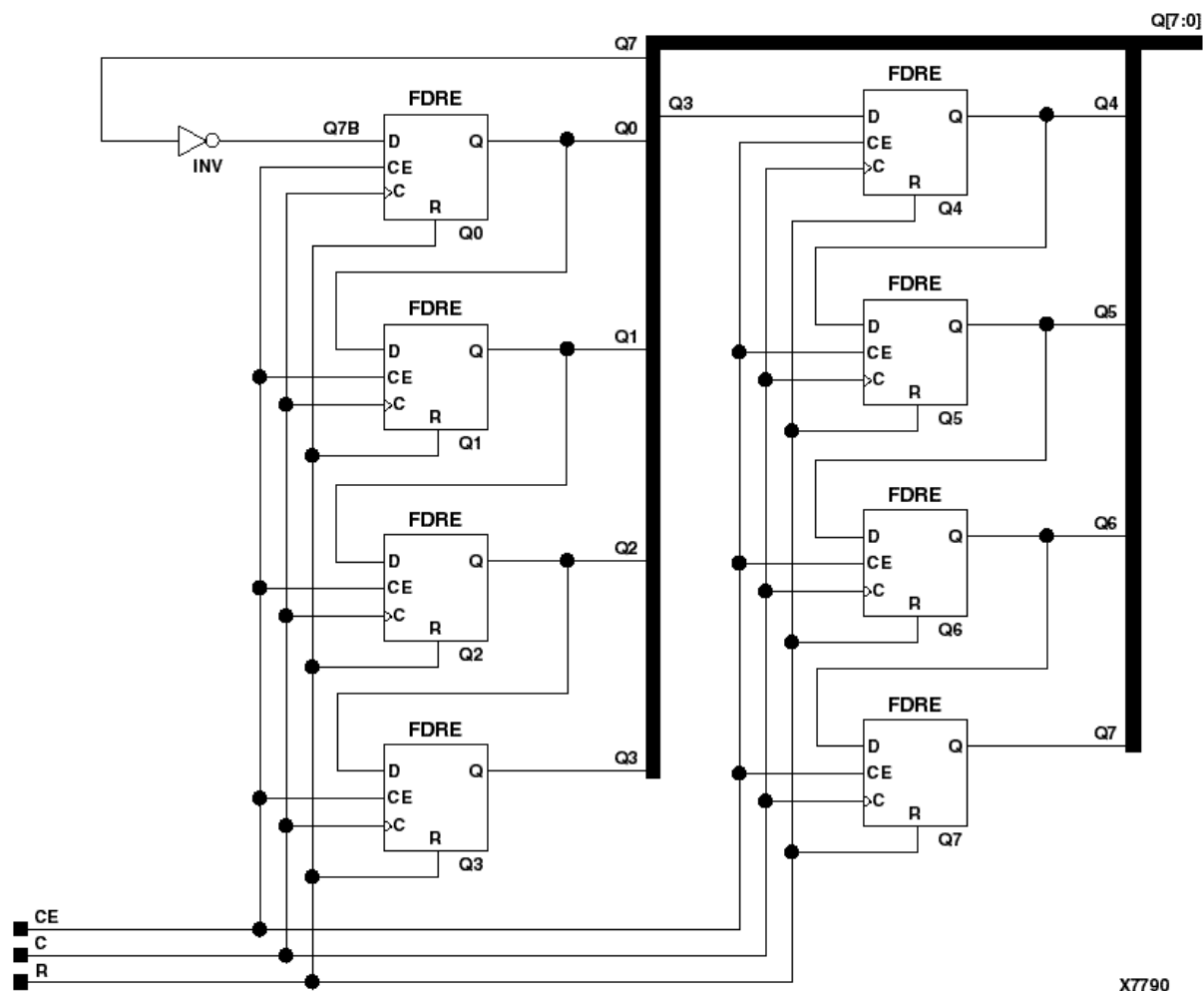
Inputs			Outputs				
--------	--	--	---------	--	--	--	--

R	CE	C	Q0	Q1 – Q7
1	X	↑	0	0
0	0	X	No Chg	No Chg
0	1	↑	$\overline{q_7}$	q0 – q6

q = state of referenced output one setup time prior to active clock transition

CJ8RE Truth Table

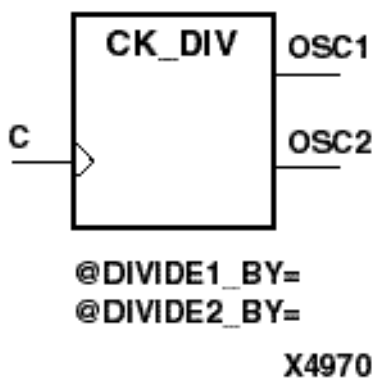
Figure 4-40CJ8RE Implementation XC3000, XC4000, XC5200, XC9000, Spartans, Virtex



## CK\_DIV Internal Multiple-Frequency Clock Divider



XC3000	XC4000 E	XC4000 X	XC5200	XC9000	Spartan	Spartan XL	Virtex
N/A	N/A	N/A	Primitive	N/A	N/A	N/A	N/A



CK\_DIV divides a user-provided external clock signal with different divide factors on either or both of the outputs. Only one CK\_DIV may be used per design. The CK\_DIV is not available if the OSC5 element is used.

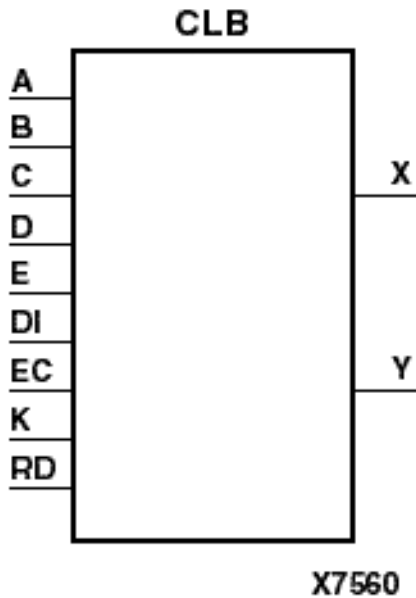
The clock frequencies of the OSC1 and OSC2 outputs are determined by specifying the DIVIDE1\_BY= $n_1$  attribute for the OSC1 output and the DIVIDE2\_BY= $n_2$  attribute for the OSC2 output.  $n_1$  and  $n_2$  are integer numbers by which the clock input (C) is divided to produce the desired output clock frequency. The available values of  $n_1$  and  $n_2$  are shown in the following table.

$n_1$	$n_2$
4	2
16	8
64	32
256	128
	1,024
	4,096
	16,384
	65,536

## CLB

### CLB Configuration Symbol

<b>XC3000</b>	<b>XC4000 E</b>	<b>XC4000 X</b>	<b>XC5200</b>	<b>XC9000</b>	<b>Spartan</b>	<b>Spartan XL</b>	<b>Virtex</b>
Primitive	N/A	N/A	N/A	N/A	N/A	N/A	N/A



The CLB symbol enables you to manually specify a CLB configuration. It allows you to enter portions of a logic design directly in terms of the physical CLB, rather than schematically. Using the CLB symbol provides precise partitioning control and requires knowledge of the CLB architecture. Use it in place of the equivalent captured logic and not in conjunction with it.

A blank XC3000 CLB primitive symbol and its corresponding configured CLB primitive and circuit are shown in the following figure.

**Figure 4-41XC3000 CLB Primitive Example and Equivalent Circuit**



CLB

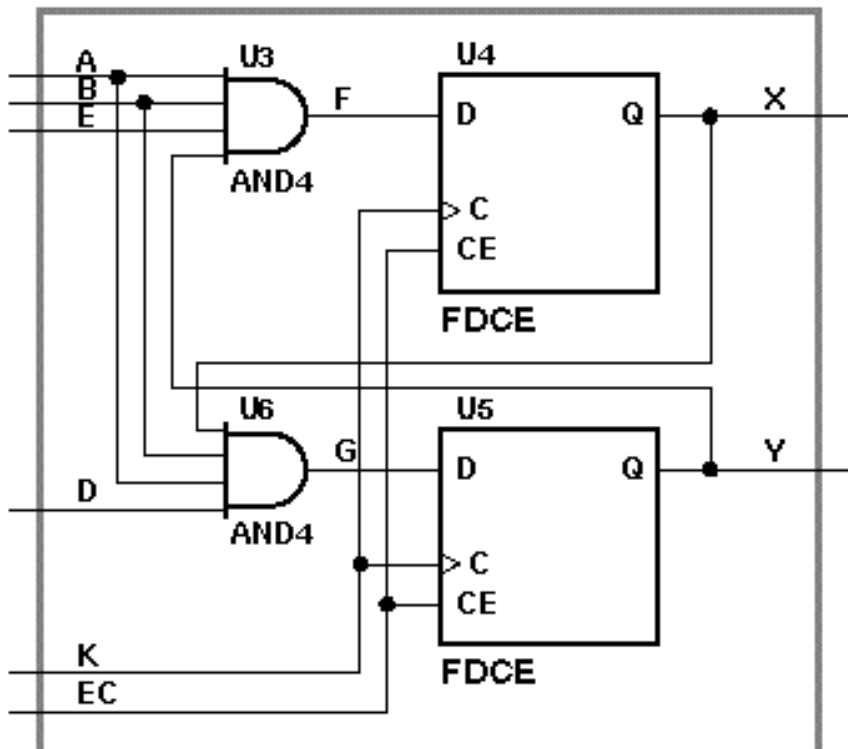
AA

FG

X:QX Y:QY DX:F DY:G CLK:K ENCLK:EC

$F=A \cdot B \cdot E \cdot QY$

$G=A \cdot B \cdot D \cdot QX$



X7234

CLB symbol pins correspond to actual CLB pins. Signals connected to these pins in a schematic are connected to the corresponding CLB pins in the design. You must specify the BASE, CONFIG, and EQUATE commands for the CLB. It is not necessary for the translator program to parse the commands specifying the CLB configuration. The mapping program from the LCA Xilinx netlist to the LCA design checks these commands for errors.

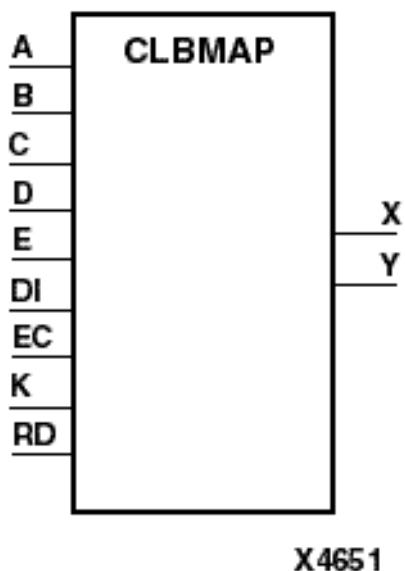
The configuration commands must be consistent with the connections. For example, if you use the A input in an equation, connect a signal to the A pin. Refer to the applicable CAE tool interface user guide for more information on specifying the CLB configuration commands in the schematic.

You can specify the location of a CLB on the device using the LOC attribute. When specifying the LOC attribute, a valid CLB name (AA, AB, and so forth) must be used. Refer to the "LOC" section of the "Attributes, Constraints, and Carry Logic" chapter for more information.

## CLBMAP

### Logic-Partitioning Control Symbol

XC3000	XC4000 E	XC4000 X	XC5200	XC9000	Spartan X	Spartan XL	Virtex
Primitive	N/A	N/A	N/A	N/A	N/A	N/A	N/A



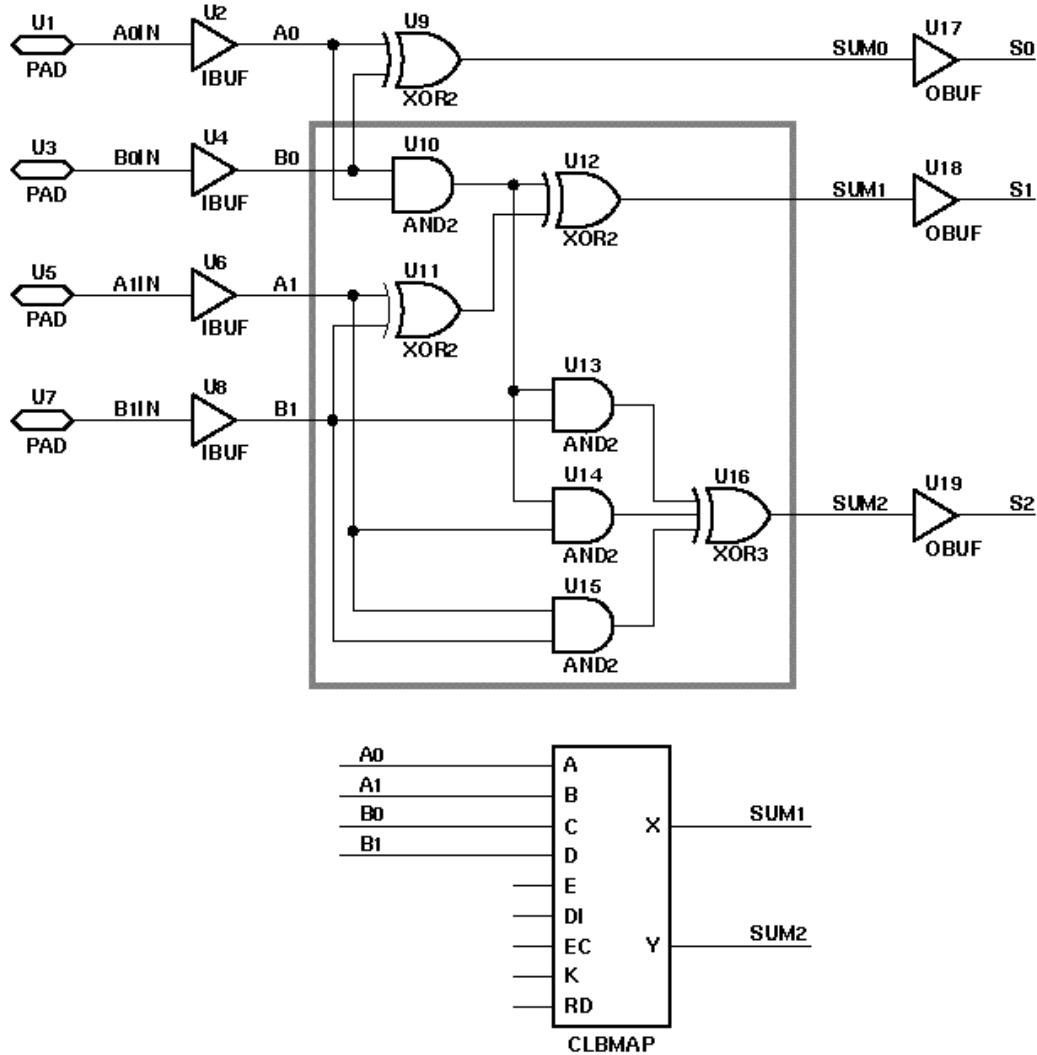
The CLBMAP symbol is used to control logic partitioning into XC3000 family CLBs. The CLBMAP symbol is not a substitute for logic. It is used in addition to combinational gates, latches, and flip-flops for mapping control.

At the schematic level, you can implement a portion of logic using gates, latches, and flip-flops and specify that the logic be grouped into a single CLB by using the CLBMAP symbol. You must name the signals that are the inputs and outputs of the CLB, then draw the signals to appropriate pins of the CLBMAP symbol, or name the CLBMAP signals and logic

signals correspondingly. The symbol can have unconnected pins, but all signals on the logic group to be mapped must be specified on a symbol pin.

CLBMAP primitives and equivalent circuits are shown for XC3000 families in the following figure.

Figure 4-42XC3000 CLBMAP Primitive Example and Equivalent



X5022

Use the MAP=*type* parameter with the CLBMAP symbol to further define how much latitude you want to give the mapping program. The following table shows MAP option characters and their meanings.

MAP Option	Function
------------	----------

**Character**

P	Pins.
C	Closed — Adding logic to or removing logic from the CLB is not allowed.
L	Locked — Locking CLB pins.
O	Open — Adding logic to or removing logic from the CLB is allowed.
U	Unlocked — No locking on CLB pins.

Possible types of MAP parameters for FMAP are: MAP=PUC, MAP=PLC, MAP=PLO, and MAP=PUO. The default parameter is PUO. If one of the "open" parameters is used (PLO or PUO), only the output signals must be specified.

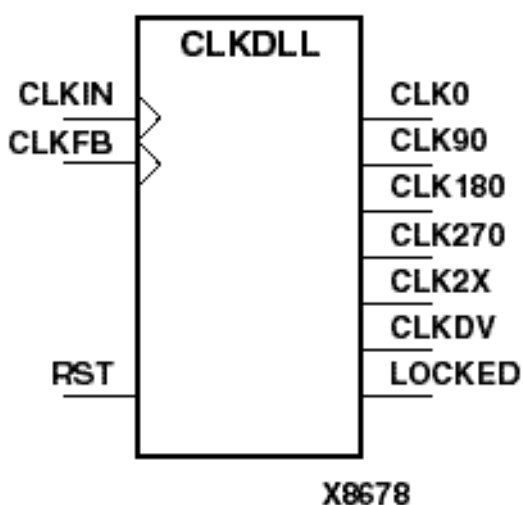
**Note:** Currently, only PUC and PUO are observed. PLC and PLO are translated into PUC and PUO, respectively.

You can lock individual pins using the "P" (Pin lock) parameter on the CLBMAP pin in conjunction with the PUC parameter. Refer to the appropriate CAE tool interface user guide for information on changing symbol parameters for your schematic editor.

**CLKDLL**

**Clock Delay Locked Loop**

XC3000	XC4000 E	XC4000 X	XC5200	XC9000	Spartan	Spartan XL	Virtex
N/A	N/A	N/A	N/A	N/A	N/A	N/A	Primitive



CLKDLL is a clock delay locked loop used to minimize clock skew. CLKDLL synchronizes the clock signal at the feed back clock input (CLKFB) to the clock signal at the input clock (CLKIN). The locked output (LOCKED) is high when the two signals are in phase. The signals are considered to be in phase when their rising edges are within 250 ps of each other.

The frequency of the clock signal at the CLKIN input must be in the range 30 - 120 MHz.

On-chip synchronization is achieved by connecting the CLKFB input to a point on the global clock network driven by a BUFG, a global clock buffer. The BUFG input can only be connected to the CLK0 or CLK2X output of CLKDLL. The BUFG connected to the CLKFB input of the CLKDLL must be sourced from either the CLK0 or CLK2X outputs of the same CLKDLL. The CLKIN input should be connected to the output of an IBUFG, with the IBUFG input connected to a pad driven by the system clock.

Off-chip synchronization is achieved by connecting the CLKFB input to the output of an IBUFG, with the IBUFG input connected to a pad. Only the CLK0 or CLK2X output can be used. The CLK0 or CLK2X must be connected to the input of OBUF, an output buffer.

The duty cycle of the CLK0 output is 50-50 unless the DUTY\_CYCLE\_CORRECTION attribute is set to FALSE, in which case the duty cycle is the same as that of the CLKIN input. The duty cycle of the phase shifted outputs (CLK90, CLK180, and CLK270) is the same as that of the CLK0 output. The duty cycle of the CLK2X and CLKDV outputs is always 50-50. The frequency of the CLKDV output is determined by the value assigned to the CLKDV\_DIVIDE attribute.

The master reset input (RST) resets CLKDLL to its initial (power-on) state. The signal at the RST input is synchronized to the clock signal at the CLKIN input. The reset becomes effective at the second Low-to-High transition of the clock signal at the CLKIN input after assertion of the RST signal.

**Table 4-1CLKDLL Outputs**

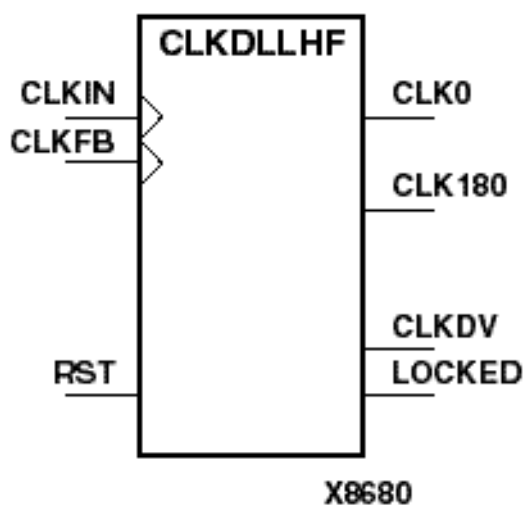
Output	Description
CLK0	Clock at 1x CLKIN frequency
CLK90	Clock at 1x CLKIN frequency, shifted 90° with regards to CLK0

CLK180	Clock at 1x CLKIN frequency, shifted 180° with regards to CLK0
CLK270	Clock at 1x CLKIN frequency, shifted 270° with regards to CLK0
CLK2X	Clock at 2x CLKIN frequency
CLKDV	Clock at (1/n)x CLKIN frequency, n=CLKDV_DIVIDE value
LOCKED	CLKDLL locked

## CLKDLLHF

### High Frequency Clock Delay Locked Loop

XC3000	XC4000 E	XC4000 X	XC5200	XC9000	Spartan	Spartan XL	Virtex
N/A	N/A	N/A	N/A	N/A	N/A	N/A	Primitive



CLKDLLHF is a high frequency clock delay locked loop used to minimize clock skew. CLKDLLHF synchronizes the clock signal at the feed back clock input (CLKFB) to the clock signal at the input clock (CLKIN). The locked output (LOCKED) is high when the two signals are in phase. The signals are considered to be in phase when their rising edges are within 250 ps of each other.

The frequency of the clock signal at the CLKIN input must be in the range 60 - 180 MHz.

On-chip synchronization is achieved by connecting the CLKFB input to a point on the global clock network driven by a BUFG, a global clock buffer. The BUFG input can only be connected to the CLK0 output of CLKDLLHF. The BUFG connected to the CLKFB input of the CLKDLLHF must be sourced from the CLK0 output of the same CLKDLLHF.



The CLKIN input should be connected to the output of an IBUFG, with the IBUFG input connected to a pad driven by the system clock.

Off-chip synchronization is achieved by connecting the CLKFB input to the output of an IBUFG, with the IBUFG input connected to a pad. Only the CLK0 output can be used. CLK0 must be connected to the input of OBUF, an output buffer.

The duty cycle of the CLK0 output is 50-50 unless the DUTY\_CYCLE\_CORRECTION attribute is set to FALSE, in which case the duty cycle is the same as that of the CLKIN input. The duty cycle of the phase shifted output (CLK180) is the same as that of the CLK0 output. The frequency of the CLKDV output is determined by the value assigned to the CLKDV\_DIVIDE attribute.

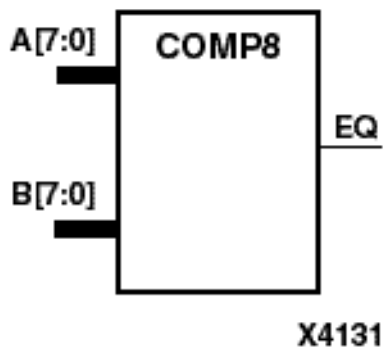
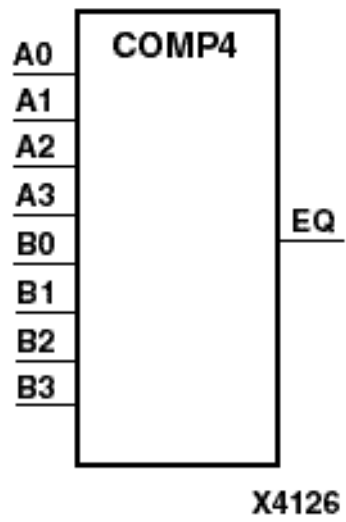
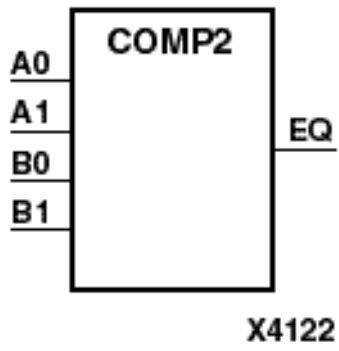
The master reset input (RST) resets CLKDLL to its initial (power-on) state. The signal at the RST input is synchronized to the clock signal at the CLKIN input. The reset becomes effective at the second Low-to-High transition of the clock signal at the CLKIN input after assertion of the RST signal.

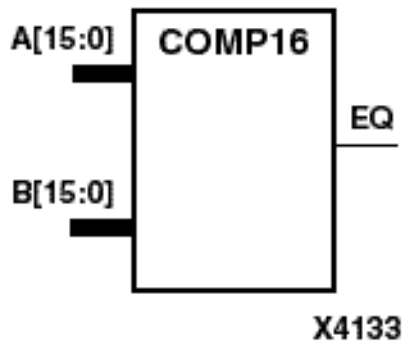
**Table 4-2CLKDLLHF Outputs**

Output	Description
CLK0	Clock at 1x CLKIN frequency
CLK180	Clock at 1x CLKIN frequency, shifted 180° with regards to CLK0
CLKDV	Clock at (1/n)x CLKIN frequency, n=CLKDV_DIVIDE value
LOCKED	CLKDLL locked

## COMP2, 4, 8, 16 2-, 4-, 8-, 16-Bit Identity Comparators

XC3000	XC4000 E	XC4000 X	XC5200	XC9000	Spartan	Spartan XL	Virtex
Macro	Macro	Macro	Macro	Macro	Macro	Macro	Macro

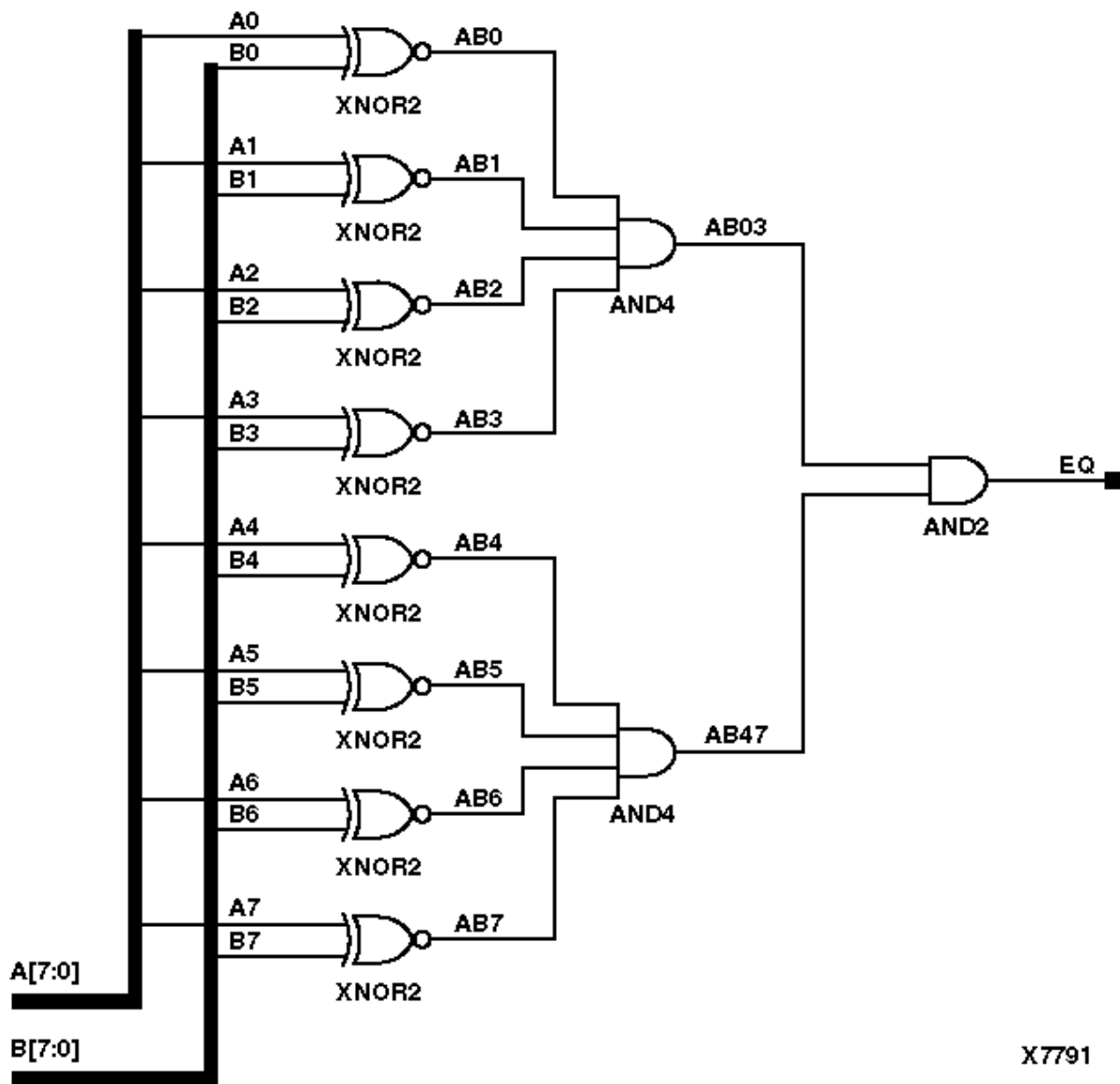




COMP2, COMP4, COMP8, and COMP16 are, respectively, 2-, 4-, 8-, and 16-bit identity comparators. The equal output (EQ) of the COMP2 2-bit, identity comparator is High when the two words  $A_1 - A_0$  and  $B_1 - B_0$  are equal. EQ is high for COMP4 when  $A_3 - A_0$  and  $B_3 - B_0$  are equal; for COMP8, when  $A_7 - A_0$  and  $B_7 - B_0$  are equal; and for COMP16, when  $A_{15} - A_0$  and  $B_{15} - B_0$  are equal.

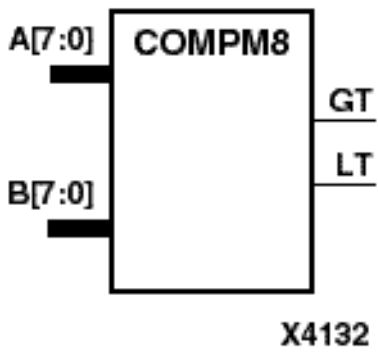
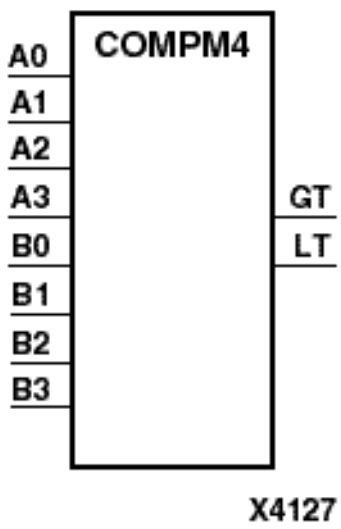
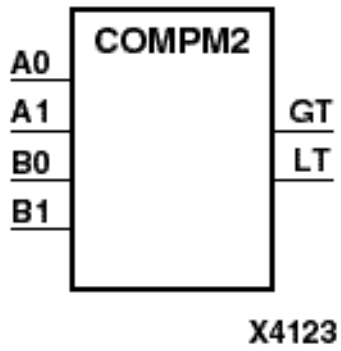
Equality is determined by a bit comparison of the two words. When any two of the corresponding bits from each word are not the same, the EQ output is Low.

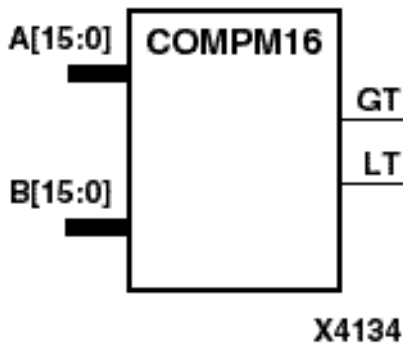
**Figure 4-43**COMP8 Implementation XC3000, XC4000, XC5200, XC9000, Spartans, Virtex



**COMP2, 4, 8, 16**  
**2-, 4-, 8-, 16-Bit Magnitude Comparators**

XC3000	XC4000 E	XC4000 X	XC5200	XC9000	Spartan	Spartan XL	Virtex
Macro	Macro	Macro	Macro	Macro	Macro	Macro	Macro





COMP2, COMP4, COMP8, and COMP16 are, respectively, 2-, 4-, 8-, and 16-bit magnitude comparators that compare two positive binary-weighted words.

COMP2 compares  $A_1 - A_0$  and  $B_1 - B_0$ , where  $A_1$  and  $B_1$  are the most significant bits. COMP4 compares  $A_3 - A_0$  and  $B_3 - B_0$ , where  $A_3$  and  $B_3$  are the most significant bits. COMP8 compares  $A_7 - A_0$  and  $B_7 - B_0$ , where  $A_7$  and  $B_7$  are the most significant bits. COMP16 compares  $A_{15} - A_0$  and  $B_{15} - B_0$ , where  $A_{15}$  and  $B_{15}$  are the most significant bits.

The greater-than output (GT) is High when  $A > B$ , and the less-than output (LT) is High when  $A < B$ . When the two words are equal, both GT and LT are Low. Equality can be measured with this macro by comparing both outputs with a NOR gate.

Inputs				Outputs	
A1	B1	A0	B0	GT	LT
0	0	0	0	0	0
0	0	1	0	1	0
0	0	0	1	0	1
0	0	1	1	0	0
1	1	0	0	0	0
1	1	1	0	1	0
1	1	0	1	0	1
1	1	1	1	0	0
1	0	X	X	1	0
0	1	X	X	0	1

COMP2 Truth Table

Libraries Guide

Inputs				Outputs	
A3, B3	A2, B2	A1, B1	A0, B0	GT	LT
A3>B3	X	X	X	1	0
A3<B3	X	X	X	0	1
A3=B3	A2>B2	X	X	1	0
A3=B3	A2<B2	X	X	0	1
A3=B3	A2=B2	A1>B1	X	1	0
A3=B3	A2=B2	A1<B1	X	0	1
A3=B3	A2=A2	A1=B1	A0>B0	1	0
A3=B3	A2=B2	A1=B1	A0<B0	0	1
A3=B3	A2=B2	A1=B1	A0=B0	0	0

COMPM4 Truth Table

Inputs								Outputs	
A7, B7	A6, B6	A5, B5	A4, B4	A3, B3	A2, B2	A1, B1	A0, B0	GT	LT
A7>B7	X	X	X	X	X	X	X	1	0
A7<B7	X	X	X	X	X	X	X	0	1
A7=B7	A6>B6	X	X	X	X	X	X	1	0
A7=B7	A6<B6	X	X	X	X	X	X	0	1
A7=B7	A6=B6	A5>B5	X	X	X	X	X	1	0
A7=B7	A6=B6	A5<B5	X	X	X	X	X	0	1
A7=B7	A6=B6	A5=B5	A4>B4	X	X	X	X	1	0
A7=B7	A6=B6	A5=B5	A4<B4	X	X	X	X	0	1

## Libraries Guide

A7=	A6=	A5=	A4=	A3>	X	X	X	1	0
B7	B6	B5	B4	B3					
A7=	A6=	A5=	A4=	A3<	X	X	X	0	1
B7	B6	B5	B4	B3					
A7=	A6=	A5=	A4=	A3=	A2>	X	X	1	0
B7	B6	B5	B4	B3	B2				
A7=	A6=	A5=	A4=	A3=	A2<	X	X	0	1
B7	B6	B5	B4	B3	B2				
A7=	A6=	A5=	A4=	A3=	A2=	A1>	X	1	0
B7	B6	B5	B4	B3	B2	B1			
A7=	A6=	A5=	A4=	A3=	A2=	A1<	X	0	1
B7	B6	B5	B4	B3	B2	B1			
A7=	A6=	A5=	A4=	A3=	A2=	A1=	A0>	1	0
B7	B6	B5	B4	B3	B2	B1	B0		
A7=	A6=	A5=	A4=	A3=	A2=	A1=	A0<	0	1
B7	B6	B5	B4	B3	B2	B1	B0		
A7=	A6=	A5=	A4=	A3=	A2=	A1=	A0=	0	0
B7	B6	B5	B4	B3	B2	B1	B0		

COMPM8 Truth Table (also representative of COMPM16)

**Figure 4-44**COMPM8 Implementation XC3000, XC4000, XC5200, Spartans, Virtex



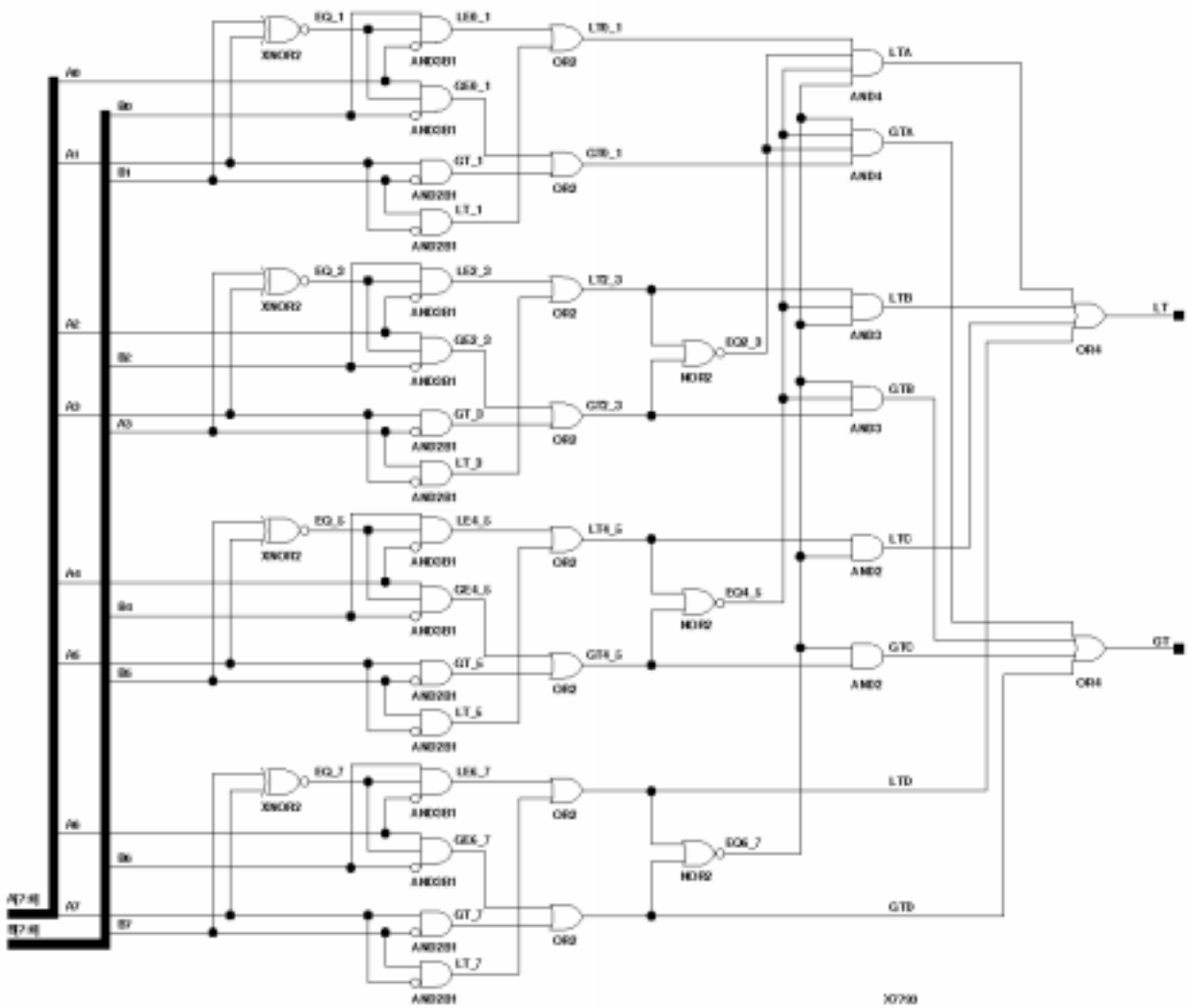
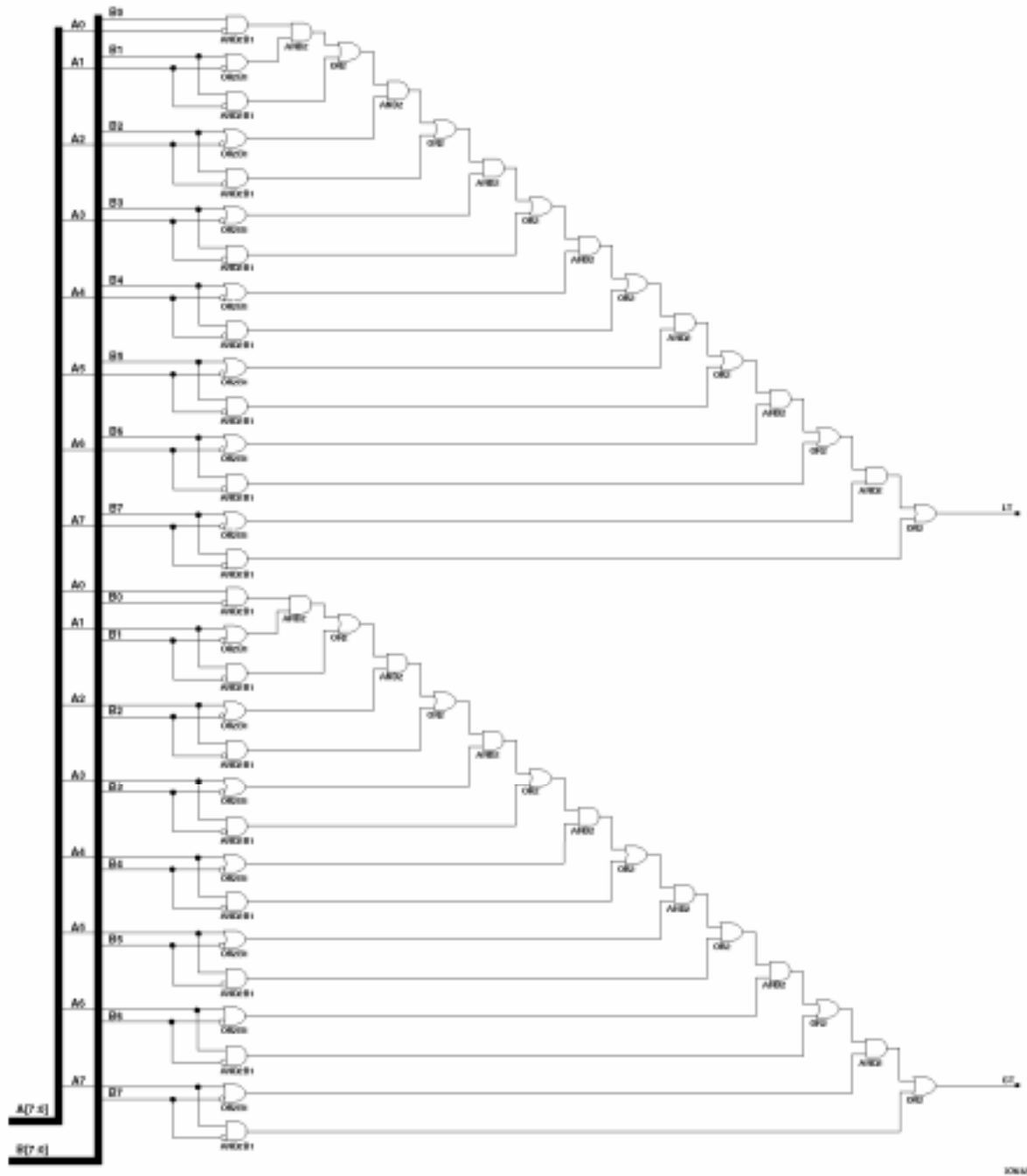


Figure 4-45COMP8 Implementation XC9000

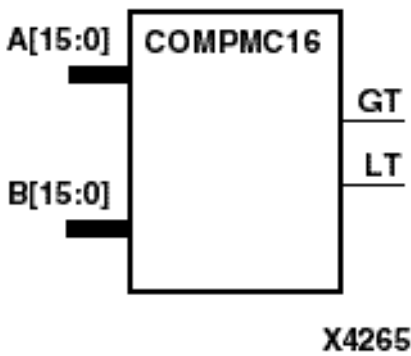
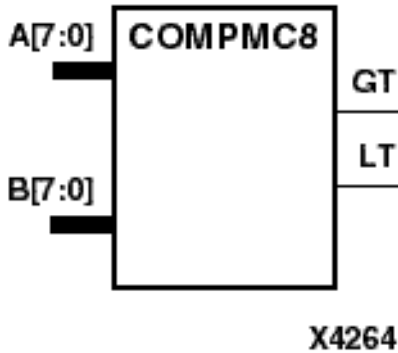


## COMP8, 16

### 8-, 16-Bit Magnitude Comparators

XC3000	XC4000 E	XC4000 X	XC5200	XC9000	Spartan	Spartan XL	Virtex
--------	-------------	-------------	--------	--------	---------	---------------	--------

N/A Macro Macro Macro N/A Macro Macro Macro



COMP8 is an 8-bit, magnitude comparator that compares two positive binary-weighted words  $A_7 - A_0$  and  $B_7 - B_0$ , where  $A_7$  and  $B_7$  are the most significant bits. COMP16 is a 16-bit, magnitude comparator that compares two positive binary-weighted words  $A_{15} - A_0$  and  $B_{15} - B_0$ , where  $A_{15}$  and  $B_{15}$  are the most significant bits.

These comparators are implemented using carry logic with relative location constraints to ensure efficient logic placement.

The greater-than output (GT) is High when  $A > B$ , and the less-than output (LT) is High when  $A < B$ . When the two words are equal, both GT and LT are Low. Equality can be flagged with this macro by connecting both outputs to a NOR gate.

Inputs								Outputs	
A7, B7	A6, B6	A5, B5	A4, B4	A3, B3	A2, B2	A1, B1	A0, B0	GT	LT
A7> B7	X	X	X	X	X	X	X	1	0
A7< B7	X	X	X	X	X	X	X	0	1

## Libraries Guide

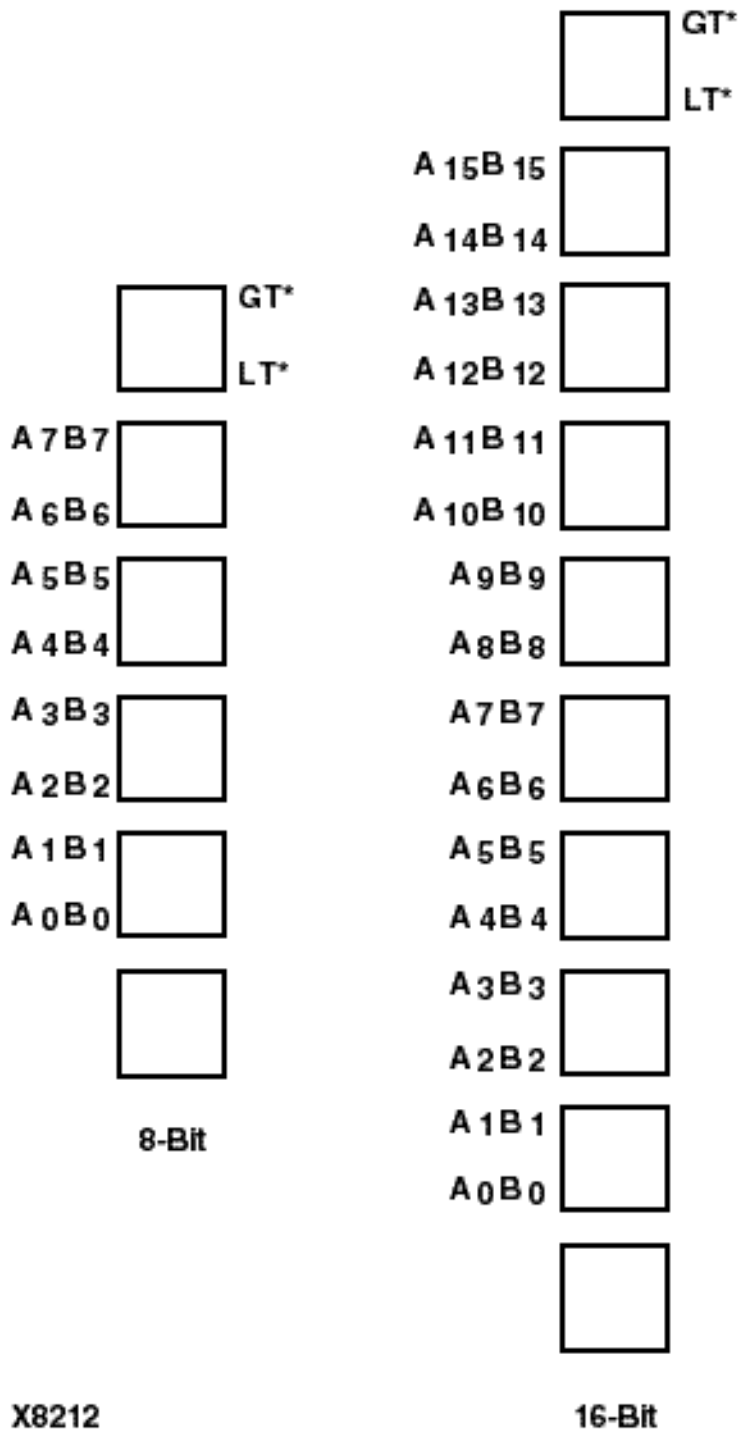
B7

A7= B7	A6> B6	X	X	X	X	X	X	1	0
A7= B7	A6< B6	X	X	X	X	X	X	0	1
A7= B7	A6= B6	A5> B5	X	X	X	X	X	1	0
A7= B7	A6= B6	A5< B5	X	X	X	X	X	0	1
A7= B7	A6= B6	A5= B5	A4> B4	X	X	X	X	1	0
A7= B7	A6= B6	A5= B5	A4< B4	X	X	X	X	0	1
A7= B7	A6= B6	A5= B5	A4= B4	A3> B3	X	X	X	1	0
A7= B7	A6= B6	A5= B5	A4= B4	A3< B3	X	X	X	0	1
A7= B7	A6= B6	A5= B5	A4= B4	A3= B3	A2> B2	X	X	1	0
A7= B7	A6= B6	A5= B5	A4= B4	A3= B3	A2< B2	X	X	0	1
A7= B7	A6= B6	A5= B5	A4= B4	A3= B3	A2= B2	A1> B1	X	1	0
A7= B7	A6= B6	A5= B5	A4= B4	A3= B3	A2= B2	A1< B1	X	0	1
A7= B7	A6= B6	A5= B5	A4= B4	A3= B3	A2= B2	A1= B1	A0> B0	1	0
A7= B7	A6= B6	A5= B5	A4= B4	A3= B3	A2= B2	A1= B1	A0< B0	0	1
A7= B7	A6= B6	A5= B5	A4= B4	A3= B3	A2= B2	A1= B1	A0= B0	0	0

COMP8 Truth Table (also representative of COMP16)

### Topology for XC4000 and Spartans

This is the COMP8 (8-bit) and COMP16 (16-bit) topology for XC4000 and Spartan series devices.



In the process of combining the logic that loads GT and LT, the place and route software might map the logic that generates GT and LT to different function generators. If this mapping occurs, the GT and LT logic cannot be placed in the uppermost CLB, as indicated in the illustration.

Figure 4-46COMP8 Implementation XC4000, Spartans

Libraries Guide

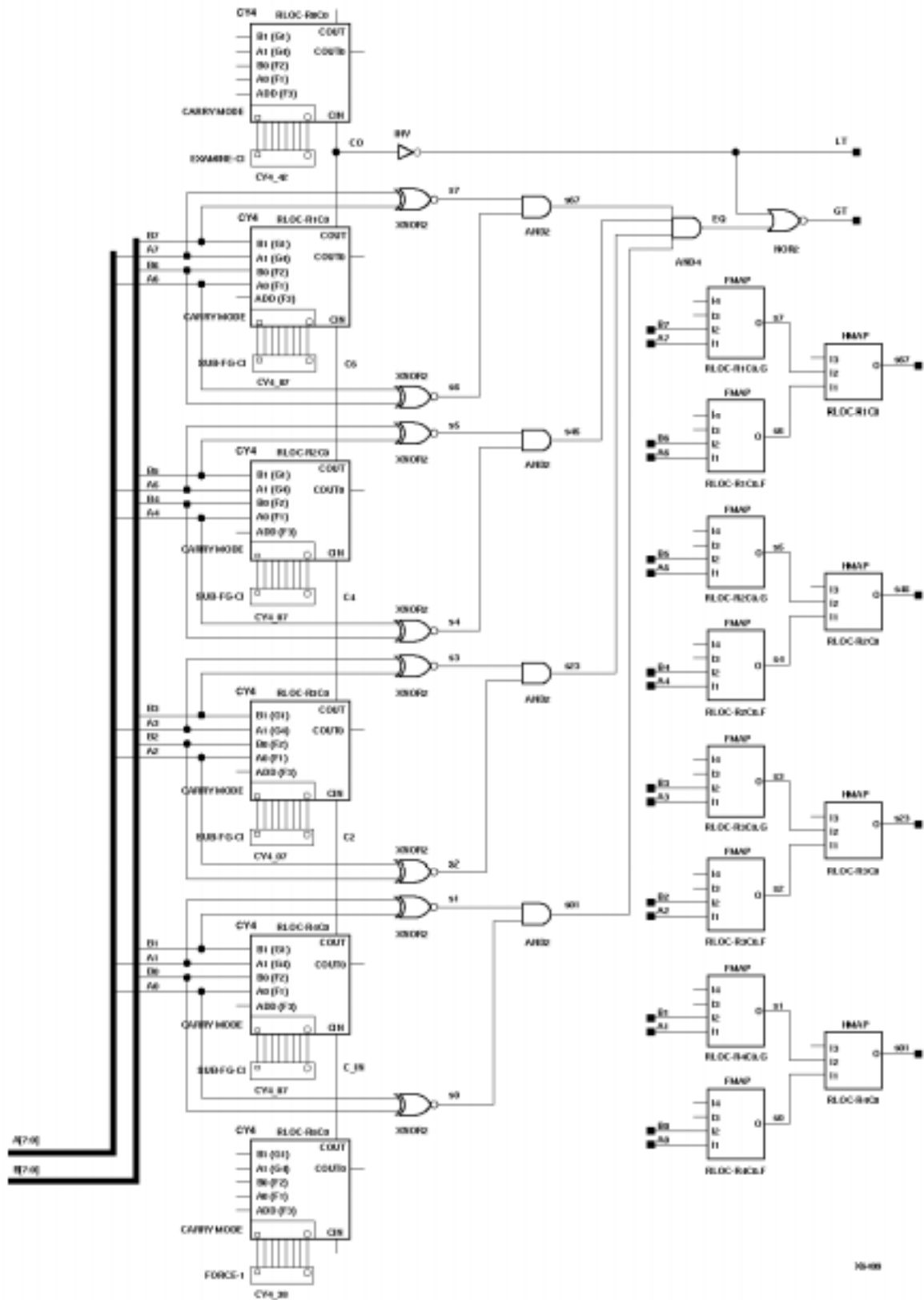
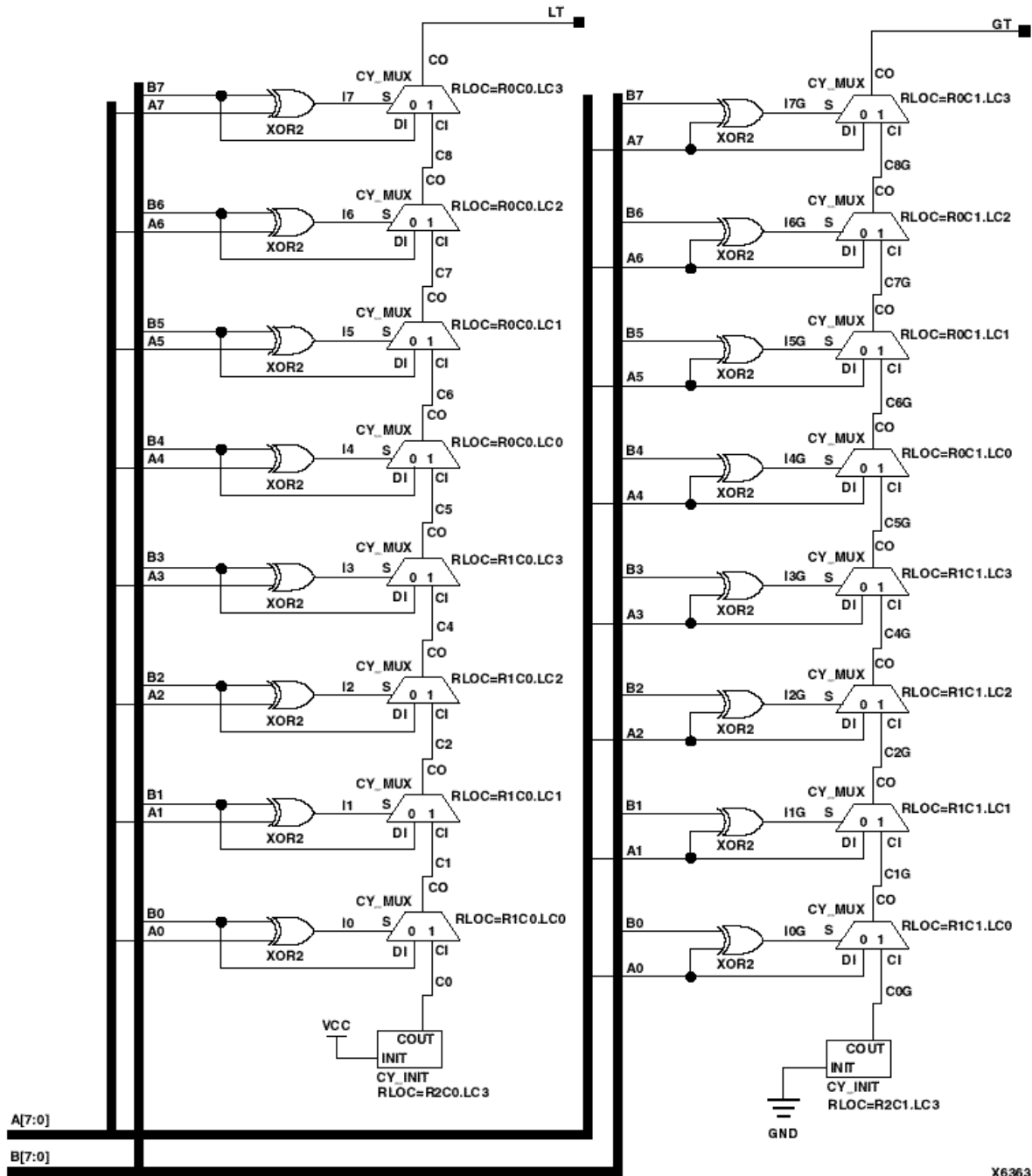
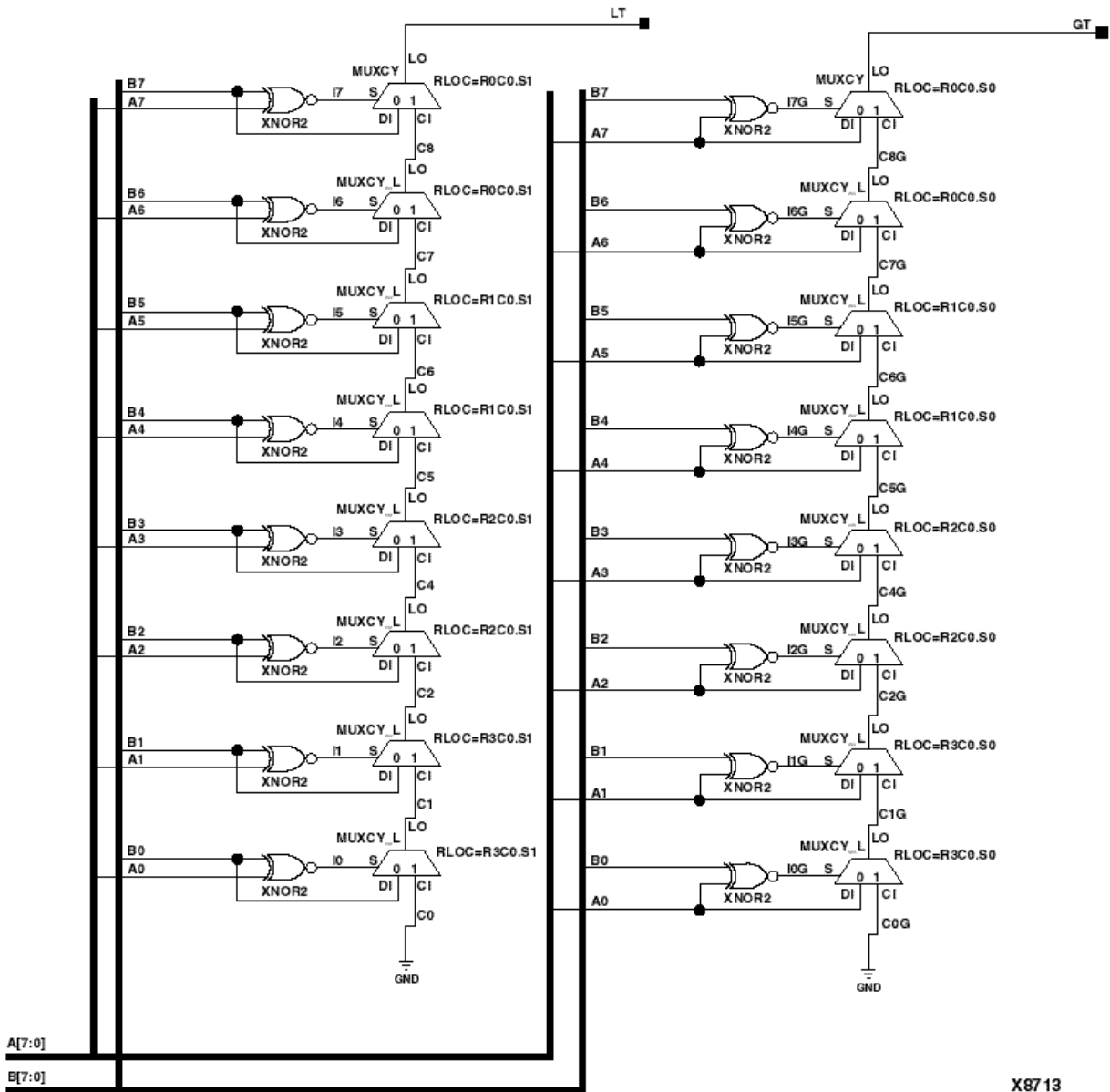


Figure 4-47COMP8 Implementation XC5200



X6363

Figure 4-48COMP8 Implementation Virtex



X87 13

## CONFIG Repository for Schematic-Level (Global) Attributes

XC3000	XC4000 E	XC4000 X	XC5200	XC9000	Spartan	Spartan XL	Virtex
Primitive	Primitive	Primitive	Primitive	Primitive	Primitive	Primitive	Primitive

The CONFIG primitive is a table that you can use to specify up to eight attributes that affect the entire design (global



attributes such as **PART** or **PROHIBIT**).

When using certain CAE software packages, global properties cannot be attached to the "Schematic" or "Sheet." Instead, they must be attached to the CONFIG symbol. Enter attributes using the same syntax that you would use in a UCF file. The global attributes can be any length, but only 30 characters are displayed in the CONFIG window. The CONFIG table is shown in the following figure.

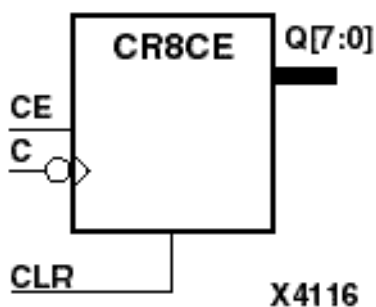
<b>CONFIG</b>

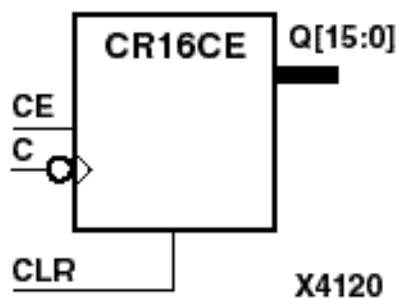
X7763

## CR8CE, CR16CE

### 8-, 16-Bit Negative-Edge Binary Ripple Counters with Clock Enable and Asynchronous Clear

XC3000	XC4000 E	XC4000 X	XC5200	XC9000	Spartan	Spartan XL	Virtex
Macro	Macro	Macro	Macro	Macro	Macro	Macro	Macro





CR8CE and CR16CE are 8-bit and 16-bit, cascadable, clearable, binary, ripple counters. The asynchronous clear (CLR), when High, overrides all other inputs and causes the Q outputs to go to logic level zero. The counter increments when the clock enable input (CE) is High during the High-to-Low clock (C) transition. The counter ignores clock transitions when CE is Low.

Larger counters can be created by connecting the last Q output (Q7 for CR8CE, Q15 for CR16CE) of the first stage to the clock input of the next stage. CLR and CE inputs are connected in parallel. The clock period is not affected by the overall length of a ripple counter. The overall clock-to-output propagation is  $n(t_{C-Q})$ , where  $n$  is the number of stages and the time  $t_{C-Q}$  is the C-to-Qz propagation delay of each stage.

The counter is asynchronously cleared, output Low, when power is applied. For CPLDs, the power-on condition can be simulated by applying a High-level pulse on the PRLD global net. FPGAs simulate power-on when global reset (GR) or global set/reset (GSR) is active. GR for XC3000 is active-Low. GR for XC5200 and GSR (XC4000, Spartans, Virtex) default to active-High but can be inverted by adding an inverter in front of the GR/GSR input of the STARTUP or STARTUP\_VIRTEX symbol.

Inputs			Outputs
CLR	CE	C	Qz – Q0
1	X	X	0
0	0	X	No Chg
0	1	↓	Inc

$z = 7$  for CR8CE;  $z = 15$  for CR16CE.

Figure 4-49CR8CE Implementation XC3000

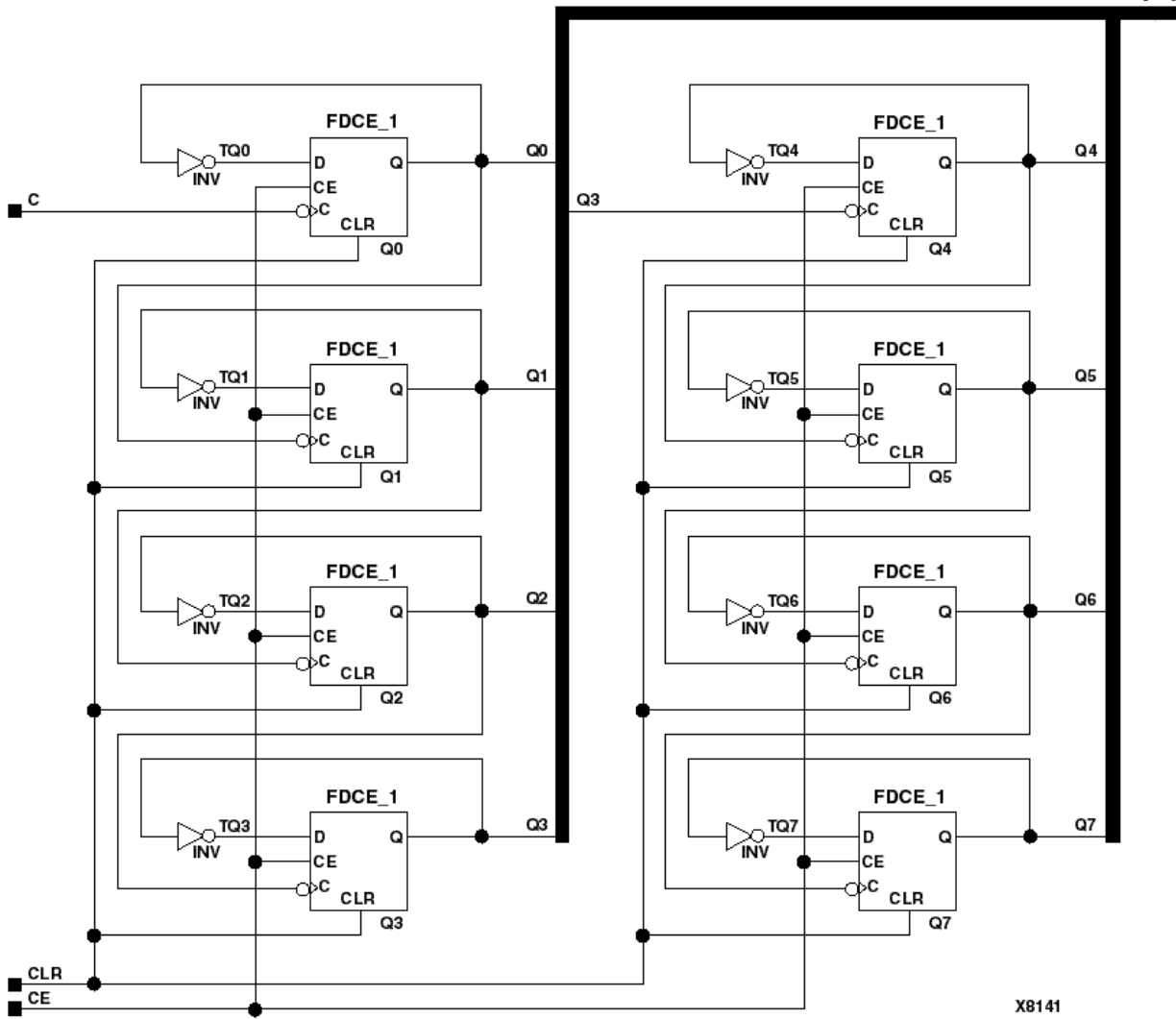
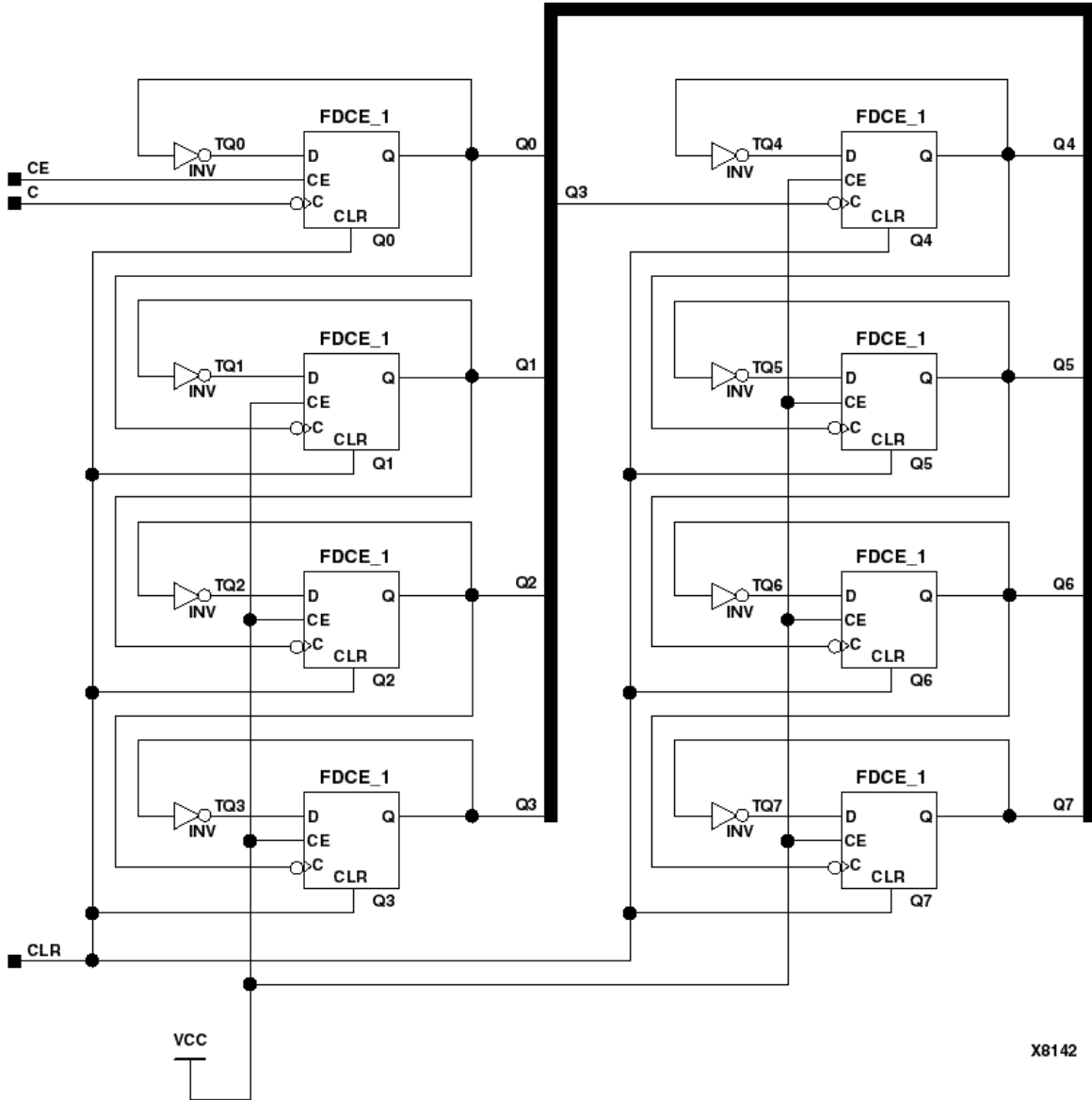
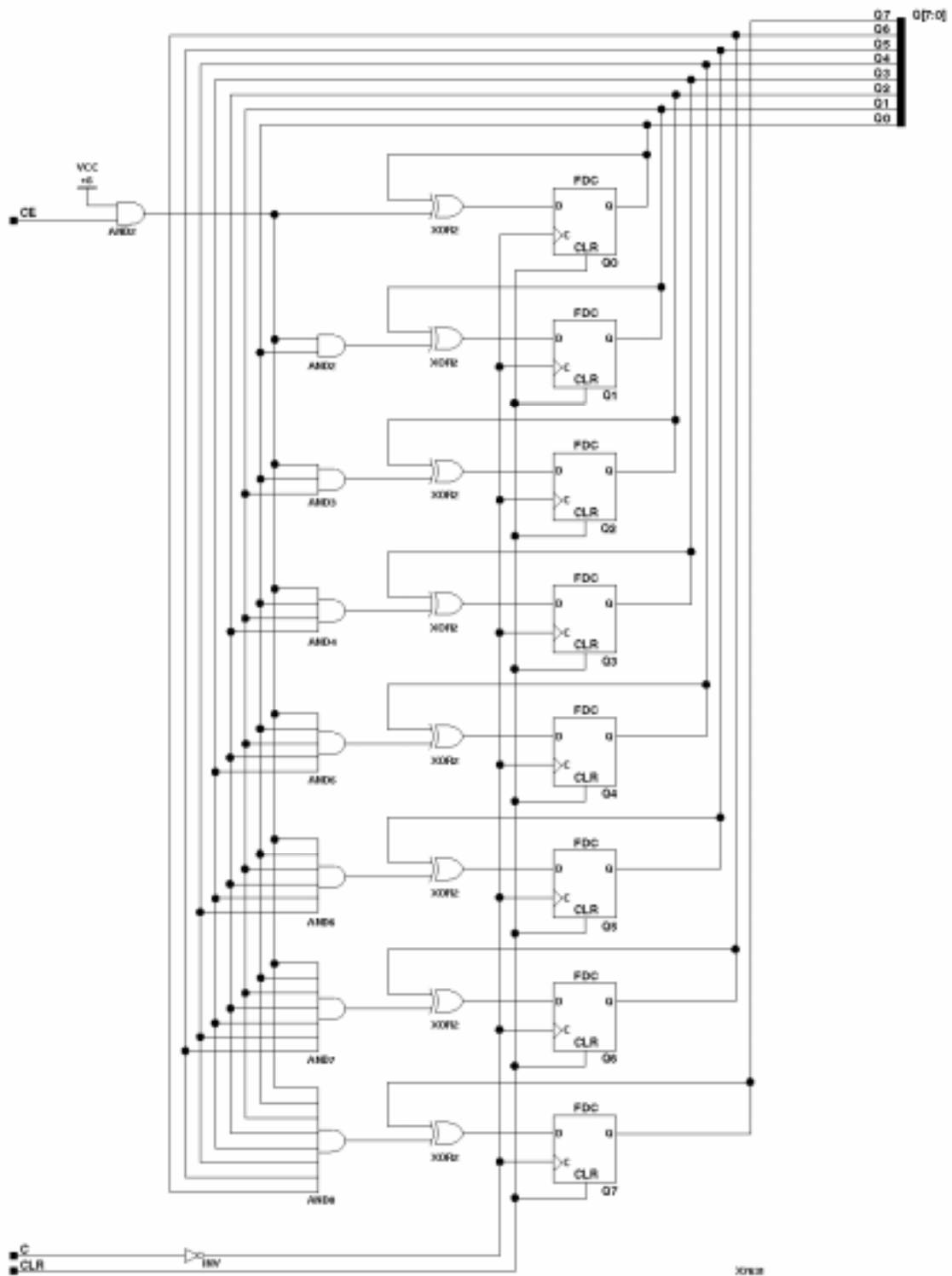


Figure 4-50CR8CE Implementation XC4000, XC5200, Spartans, Virtex



X8142

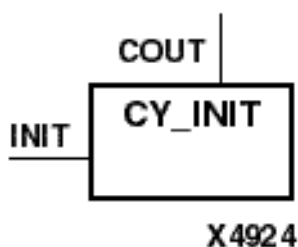
Figure 4-51CR8CE Implementation XC9000



## CY\_INIT

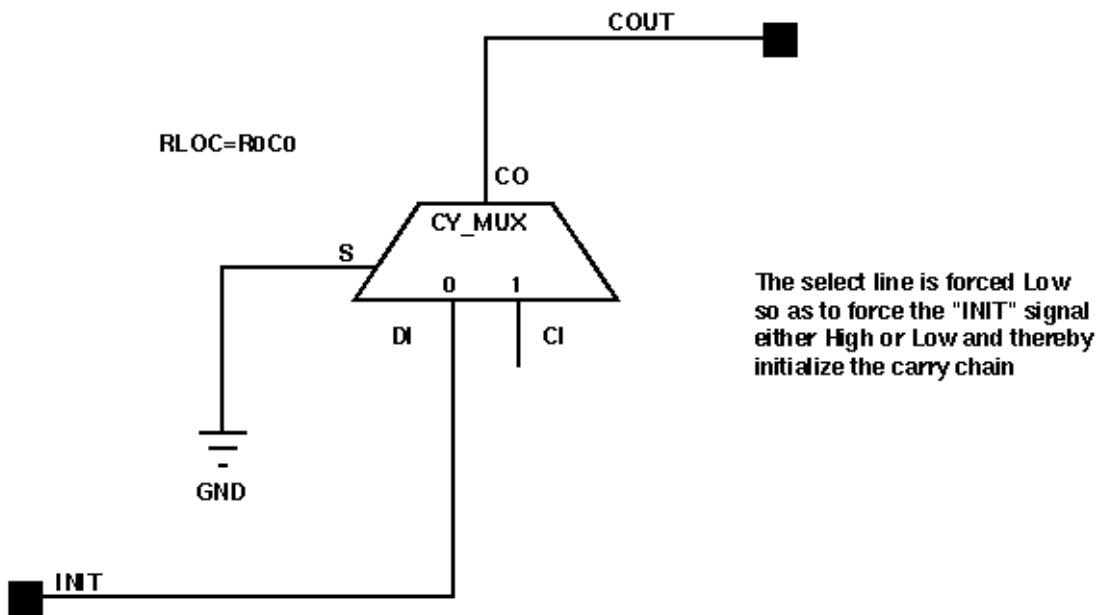
## Initialization Stage for Carry Chain

XC3000	XC4000 E	XC4000 X	XC5200	XC9000	Spartan	Spartan XL	Virtex
N/A	N/A	N/A	Macro	N/A	N/A	N/A	N/A



CY\_INIT is used to initialize the carry chain in the XC5200 architecture. It is used in conjunction with multiple CY\_MUX elements to implement high speed carry-propagate or high speed cascade logic. CY\_INIT must be placed in the logic cell (LC) immediately below the least-significant carry element (CY\_MUX) in the carry/cascade chain. The INIT input is driven from the direct input (DI) to LC. The CY\_INIT carry-out (COUT) drives the  $C_{in}$  input of the first LC in the carry chain. The COUT output reflects the state of the DI input. This figure represents the schematic implementation of CY\_INIT.

**Figure 4-52CY\_INIT 4-Bit Adder Implementation XC5200**

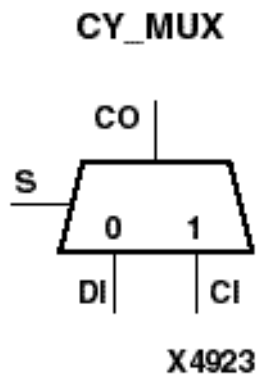


X6370

## CY\_MUX

### 2-to-1 Multiplexer for Carry Logic

XC3000	XC4000 E	XC4000 X	XC5200	XC9000	Spartan	Spartan XL	Virtex
N/A	N/A	N/A	Primitive	N/A	N/A	N/A	N/A



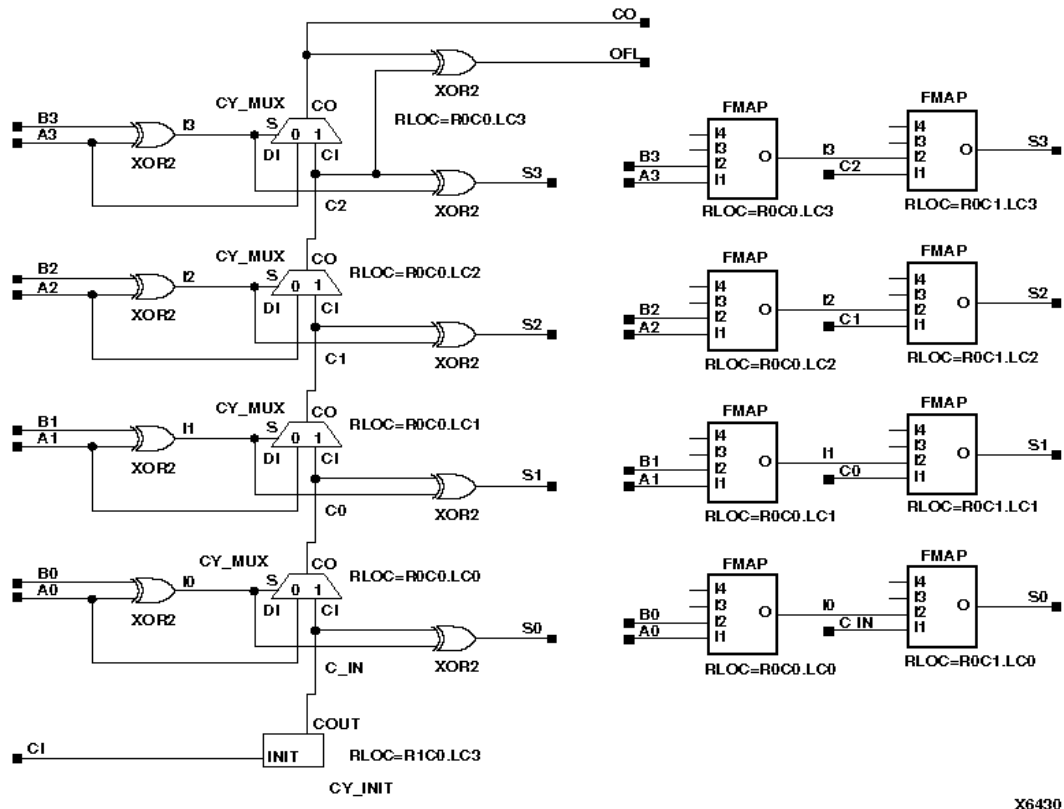
CY\_MUX is used to implement a 1-bit high-speed carry propagate function. One such function can be implemented per logic cell (LC), for a total of 4-bits per configurable logic block (CLB). The direct input (DI) of an LC is connected to the DI input of the CY\_MUX. The carry in (CI) input of an LC is connected to the CI input of the CY\_MUX. The select input (S) of the CY\_MUX is driven by the output of the lookup table (LUT) and configured as an XOR function. The carry out (CO) of the CY\_MUX reflects the state of the selected input and implements the carry out function of each LC. When Low, S selects DI; when High, S selects CI.

Inputs			Outputs
S	DI	CI	CO
0	1	X	1
0	0	X	0
1	X	1	1
1	X	0	0

The following figure depicts the application of the CY\_MUX for a 4-bit adder. Also shown are the associated FMAP symbols and the CY\_INIT function.

**Figure 4-53CY\_MUX 4-Bit Adder Schematic XC5200**



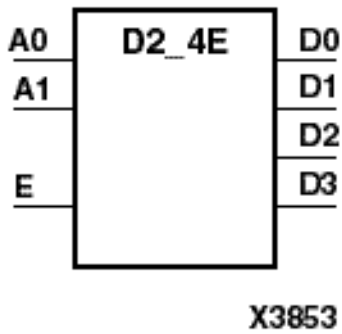


X6430

## D2\_4E

### 2- to 4-Line Decoder/Demultiplexer with Enable

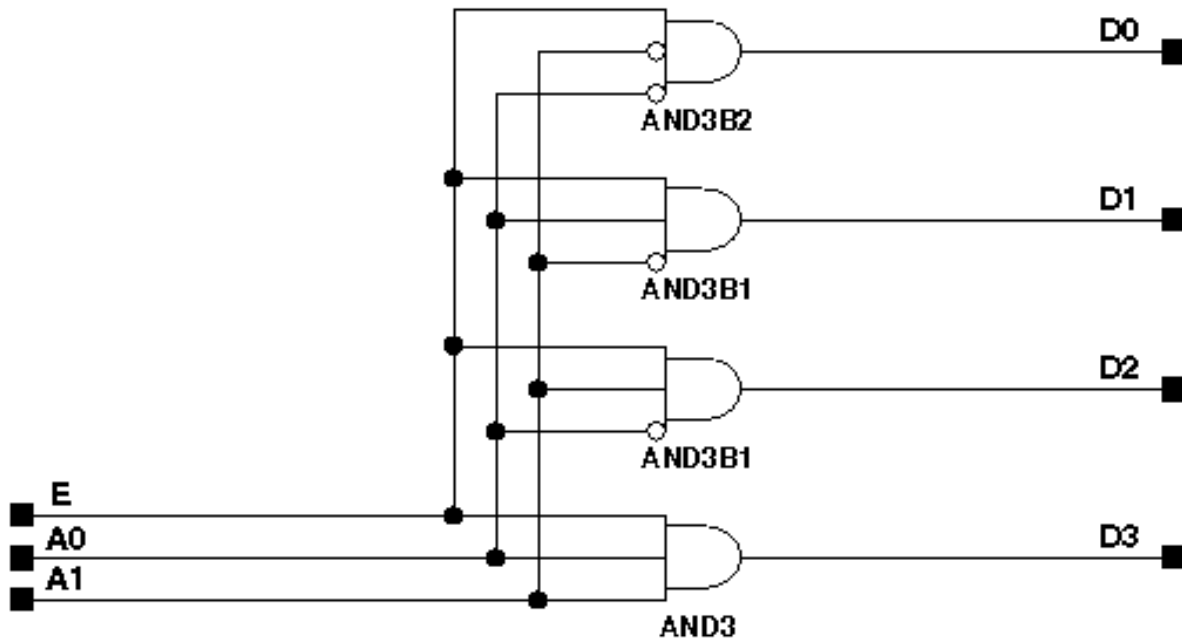
XC3000	XC4000 E	XC4000 X	XC5200	XC9000	Spartan	Spartan XL	Virtex
Macro	Macro	Macro	Macro	Macro	Macro	Macro	Macro



When the enable (EN) input of the D2\_4E decoder/demultiplexer is High, one of four active-High outputs (D3 – D0) is selected with a 2-bit binary address (A1 – A0) input. The non-selected outputs are Low. Also, when the EN input is Low, all outputs are Low. In demultiplexer applications, the EN input is the data input.

Inputs			Outputs			
A1	A0	E	D3	D2	D1	D0
X	X	0	0	0	0	0
0	0	1	0	0	0	1
0	1	1	0	0	1	0
1	0	1	0	1	0	0
1	1	1	1	0	0	0

Figure 4-54D2\_4E Implementation XC3000, XC4000, XC5200, XC9000, Spartans, Virtex

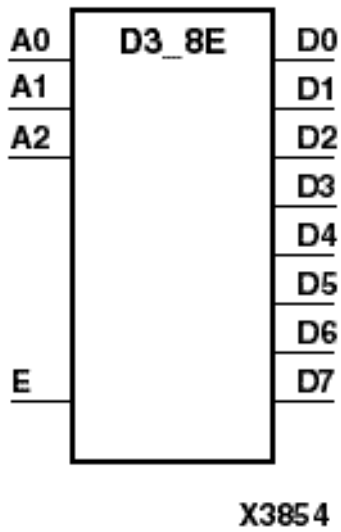


X7794

## D3\_8E

### 3- to 8-Line Decoder/Demultiplexer with Enable

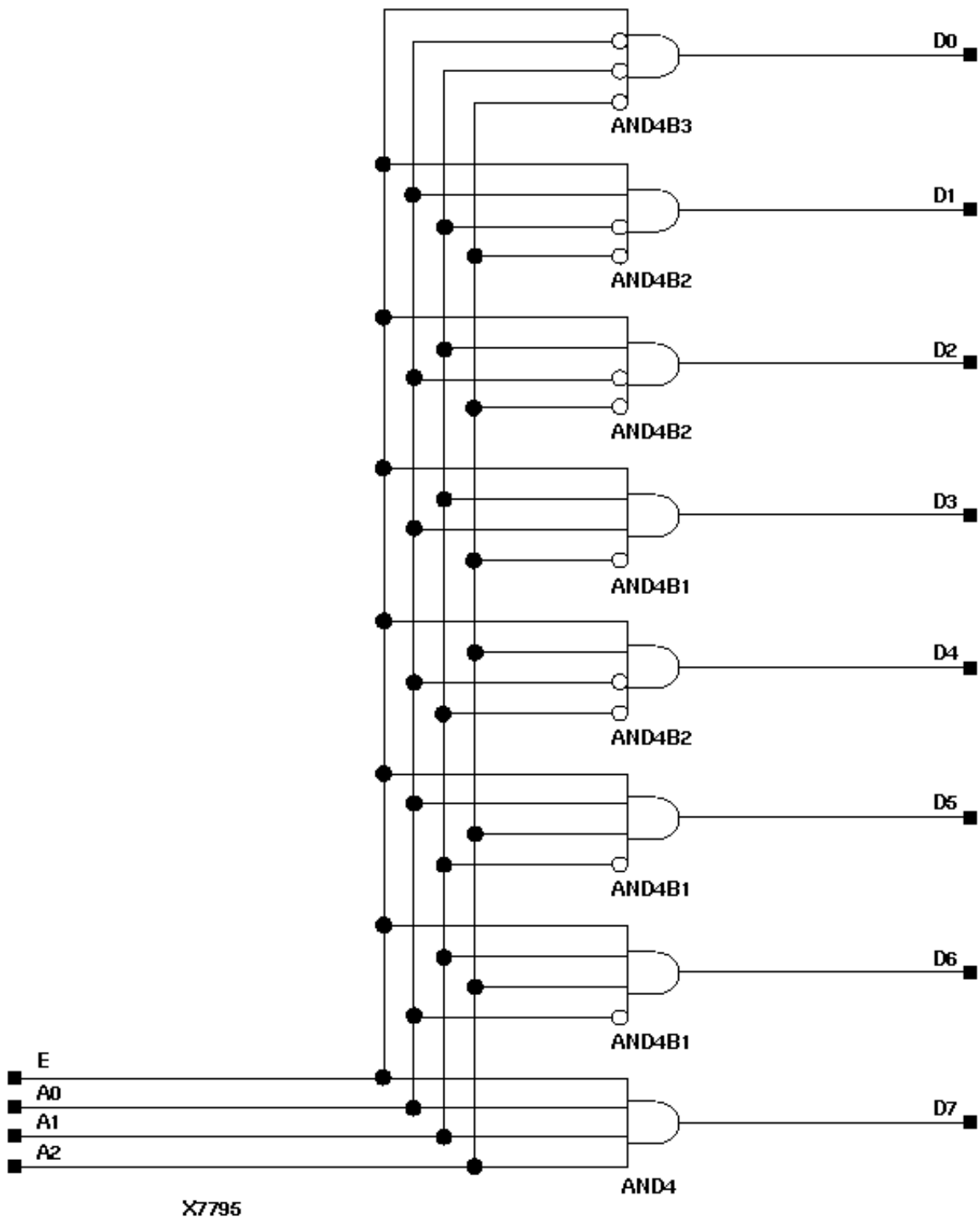
XC3000	XC4000 E	XC4000 X	XC5200	XC9000	Spartan	Spartan XL	Virtex
Macro	Macro	Macro	Macro	Macro	Macro	Macro	Macro



When the enable (EN) input of the D3\_8E decoder/demultiplexer is High, one of eight active-High outputs (D7 – D0) is selected with a 3-bit binary address (A2 – A0) input. The non-selected outputs are Low. Also, when the EN input is Low, all outputs are Low. In demultiplexer applications, the EN input is the data input.

Inputs				Outputs							
A	A	A	E	D	D	D	D	D	D	D	D
2	1	0		7	6	5	4	3	2	1	0
X	X	X	0	0	0	0	0	0	0	0	0
0	0	0	1	0	0	0	0	0	0	0	1
0	0	1	1	0	0	0	0	0	0	1	0
0	1	0	1	0	0	0	0	0	1	0	0
0	1	1	1	0	0	0	0	1	0	0	0
1	0	0	1	0	0	0	1	0	0	0	0
1	0	1	1	0	0	1	0	0	0	0	0
1	1	0	1	0	1	0	0	0	0	0	0
1	1	1	1	1	0	0	0	0	0	0	0

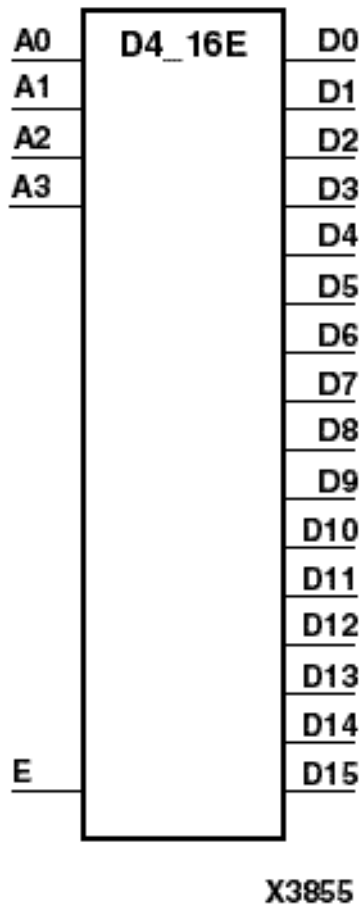
Figure 4-55D3\_8E Implementation XC3000, XC4000, XC5200, XC9000, Spartans, Virtex



## D4\_16E

### 4- to 16-Line Decoder/Demultiplexer with Enable

XC3000	XC4000 E	XC4000 X	XC5200	XC9000	Spartan	Spartan XL	Virtex
Macro	Macro	Macro	Macro	Macro	Macro	Macro	Macro



When the enable (EN) input of the D4\_16E decoder/demultiplexer is High, one of 16 active-High outputs (D15 – D0) is selected with a 4-bit binary address (A3 – A0) input. The non-selected outputs are Low. Also, when the EN input is Low, all outputs are Low. In demultiplexer applications, the EN input is the data input.

Refer to the "[D3\\_8E](#)" section for a representative truth table derivation.

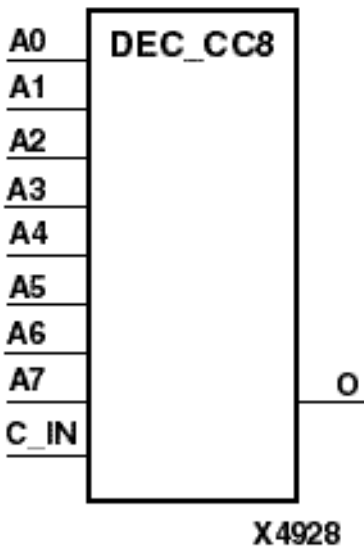
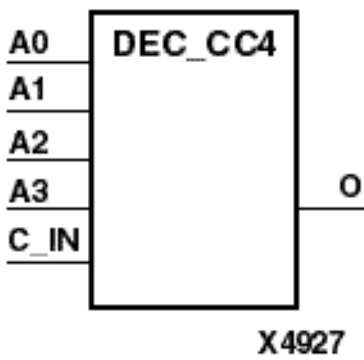
**Figure 4-56D4\_16E Implementation XC3000, XC4000, XC5200, XC9000, Spartans, Virtex**



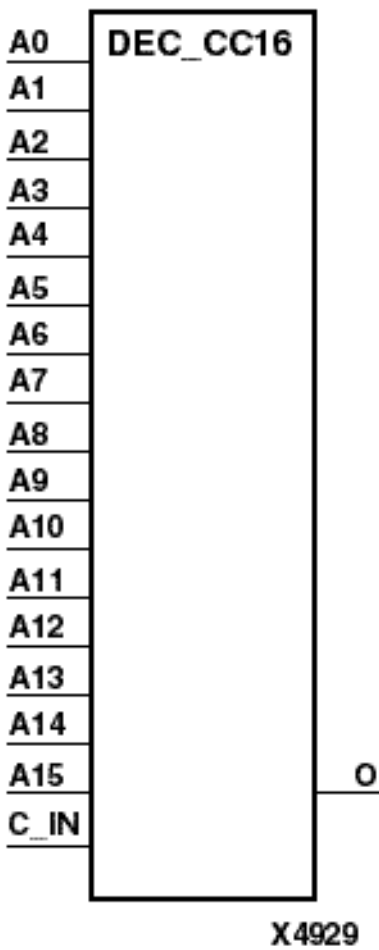
## DEC\_CC4, 8, 16

### 4-, 8-, 16-Bit Active Low Decoders

XC3000	XC4000 E	XC4000 X	XC5200	XC9000	Spartan	Spartan XL	Virtex
N/A	N/A	N/A	Macro	N/A	N/A	N/A	Macro







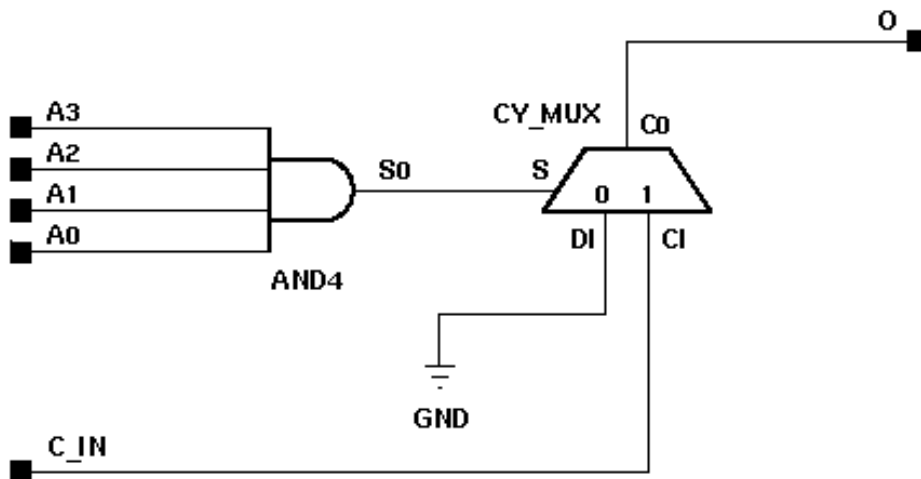
These decoders are used to build wide-decoder functions. They are implemented by cascading CY\_MUX elements driven by lookup tables (LUTs). The C\_IN pin can only be driven by a CY\_INIT or by the output (O) of a previous decode stage. When one or more of the inputs (A) are Low, the output is Low. When all the inputs are High and the C\_IN input is High, the output is High. You can decode patterns by adding inverters to inputs.

Inputs					Output
A0	A1	...	Az	C_IN	O
1	1	1	1	1	1
X	X	X	X	0	0
0	X	X	X	X	0
X	0	X	X	X	0
X	X	X	0	X	0

z = 3 for DEC\_CC4; z = 7 for DECC\_CC8; z = 15 for

DECC\_CC16

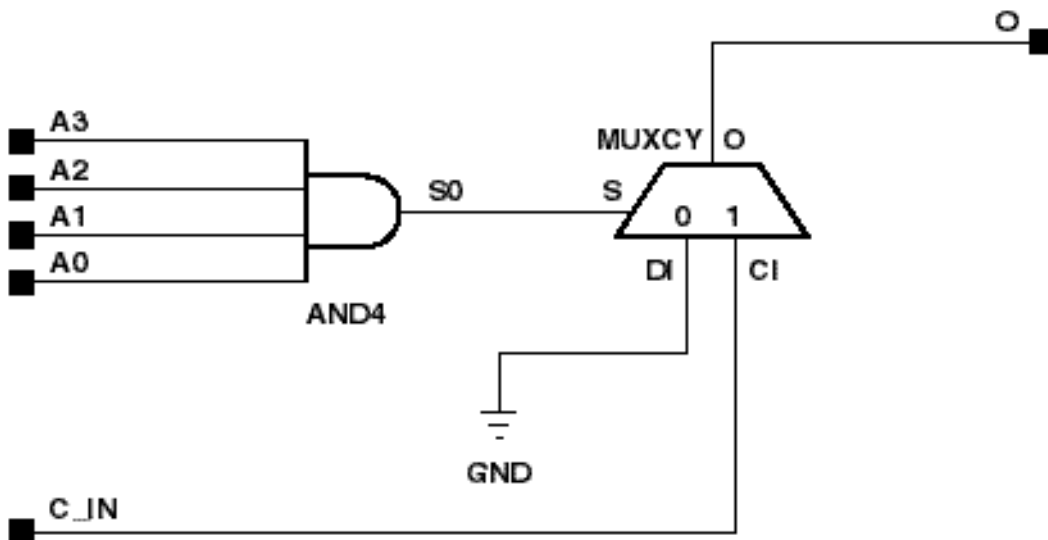
Figure 4-57DEC\_CC4 Implementation XC5200



The C\_IN pin can only be initialized by a  $\overline{CY\_INIT}$  or by the output of a previous decode stage.

X6537

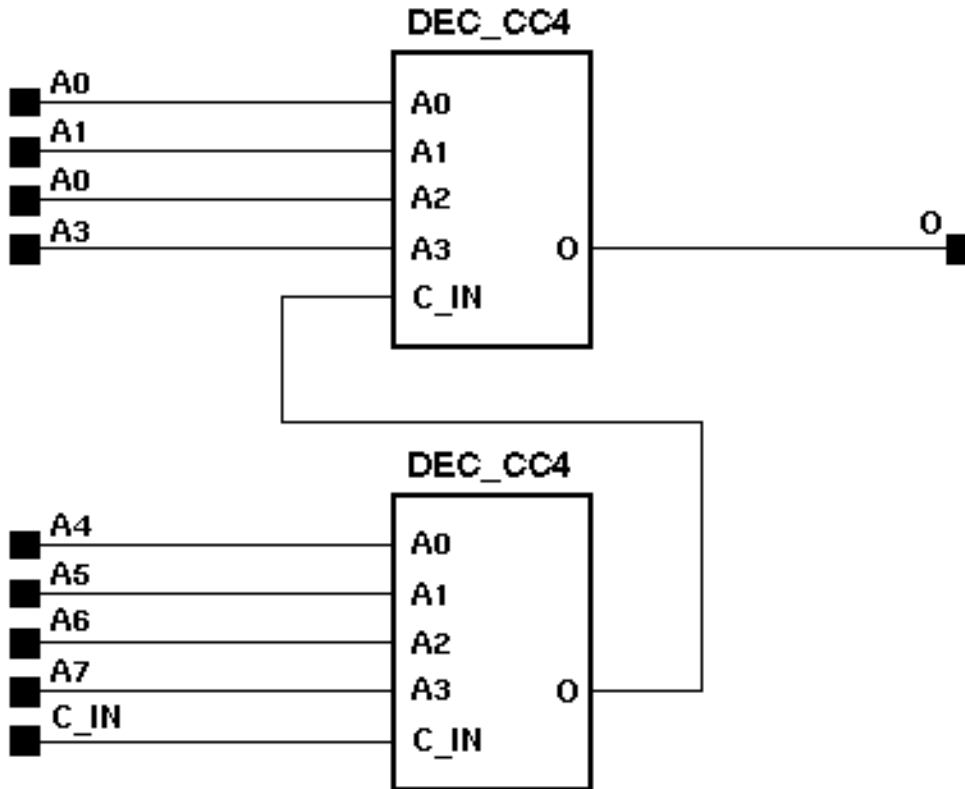
Figure 4-58DEC\_CC4 Implementation Virtex



The C\_IN pin can only be initialized by a CY\_JNIT or by the output of a previous decode stage.

X8717

Figure 4-59DEC\_CC8 Implementation XC5200, Virtex



The C\_IN pin can only be initialized by a CY\_INIT or by the output of a previous decode stage.

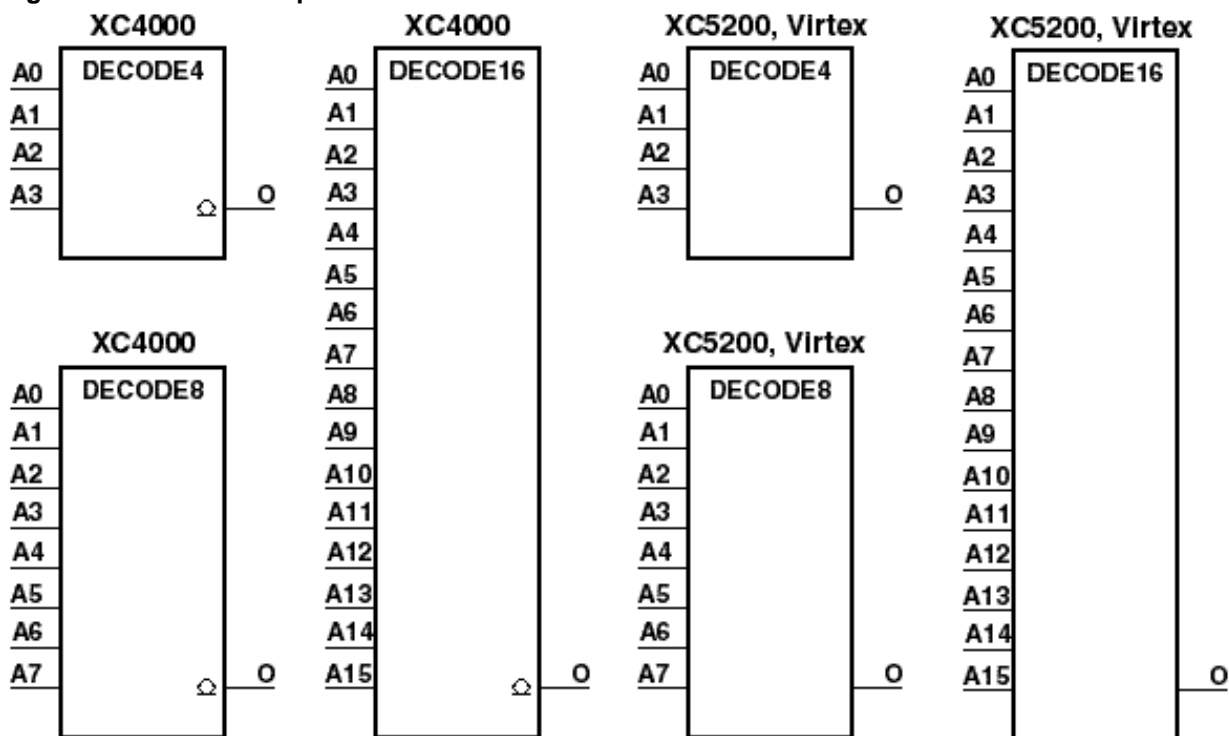
X6396

## DECODE4, 8, 16

### 4-, 8-, 16-Bit Active-Low Decoders

XC3000	XC4000 E	XC4000 X	XC5200	XC9000	Spartan	Spartan XL	Virtex
N/A	Macro	Macro	Macro	N/A	N/A	N/A	Macro

Figure 4-60 DECODE Representations



X6795

In the XC4000 architectures, decoders are open-drain, wired-AND gates. When one or more of the inputs (A) are Low, output (O) is Low. When all the inputs are High, the output is High or Off. A pull-up resistor must be connected to the output node to achieve a true logic High. A double pull-up resistor can be used to achieve faster performance; however, it uses more power. The software implements these macros using the open-drain AND gates around the periphery of the devices. (Diamonds in library symbols indicate an open-drain output.)

In XC5200, decoders are implemented by cascading CY\_MUX elements driven by lookup tables (LUTs). When one or more of the inputs are Low, the output is Low. When all the inputs are High, the output is High. You can decode patterns by adding inverters to inputs. Pull-ups cannot be used on XC5200 longlines.

In Virtex, decoders are implemented using combinations of LUTs and MUXCYs.

Inputs				Outputs*	
A0	A1	...	Az	O	O
1	1	1	1	1	1
0	X	X	X	0	0
X	0	X	X	0	0
X	X	X	0	0	0

$z = 3$  for DECODE4,  $z = 7$  for DECODE8;  $z = 15$  for DECODE16

\*A pull-up resistor must be connected to the output to establish High-level drive current.

---

Figure 4-61 DECODE8 Implementation XC4000

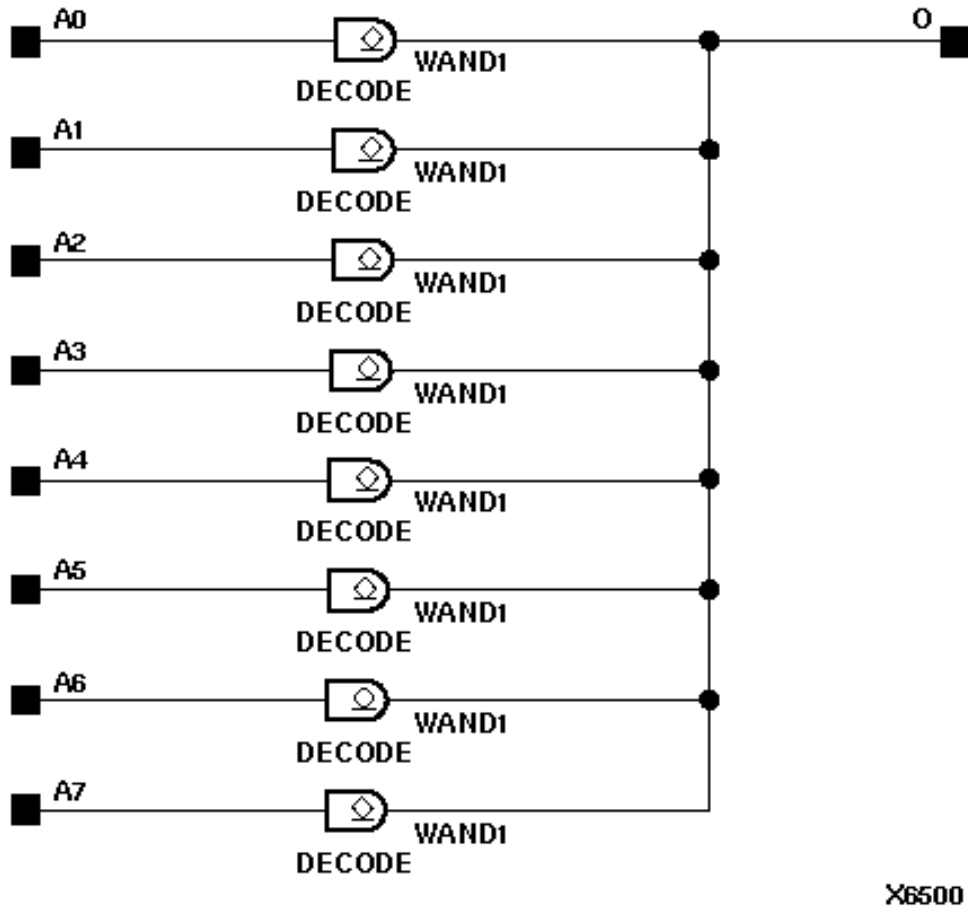
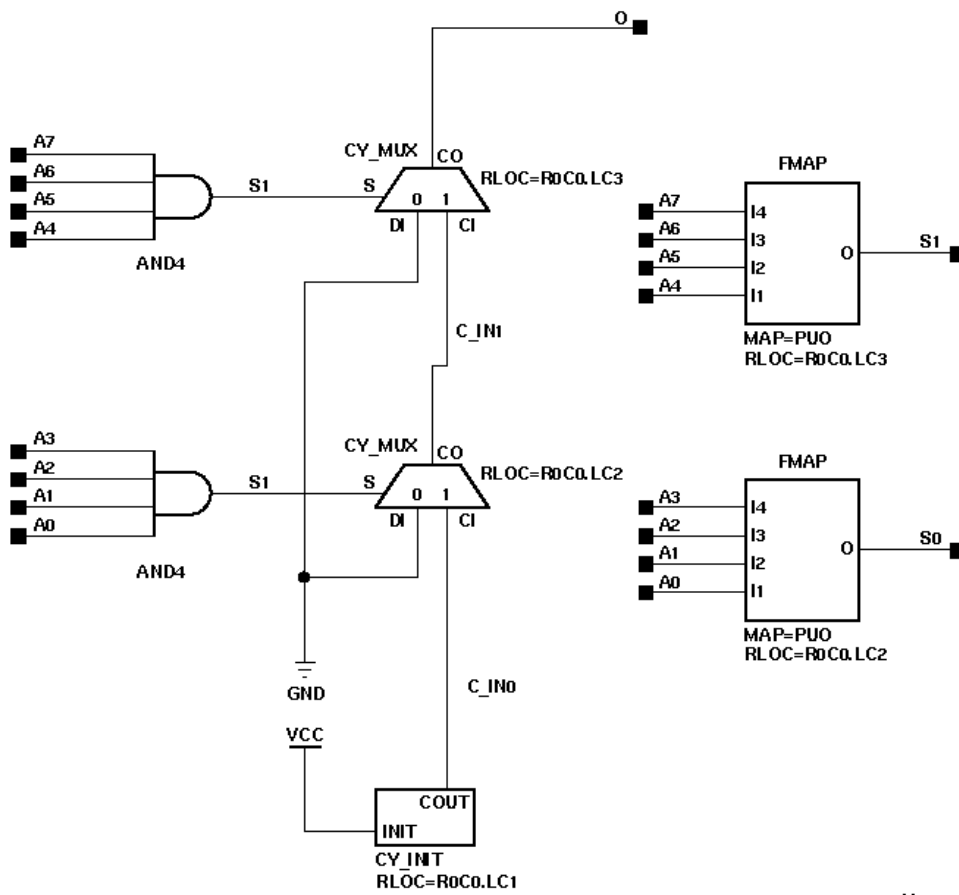
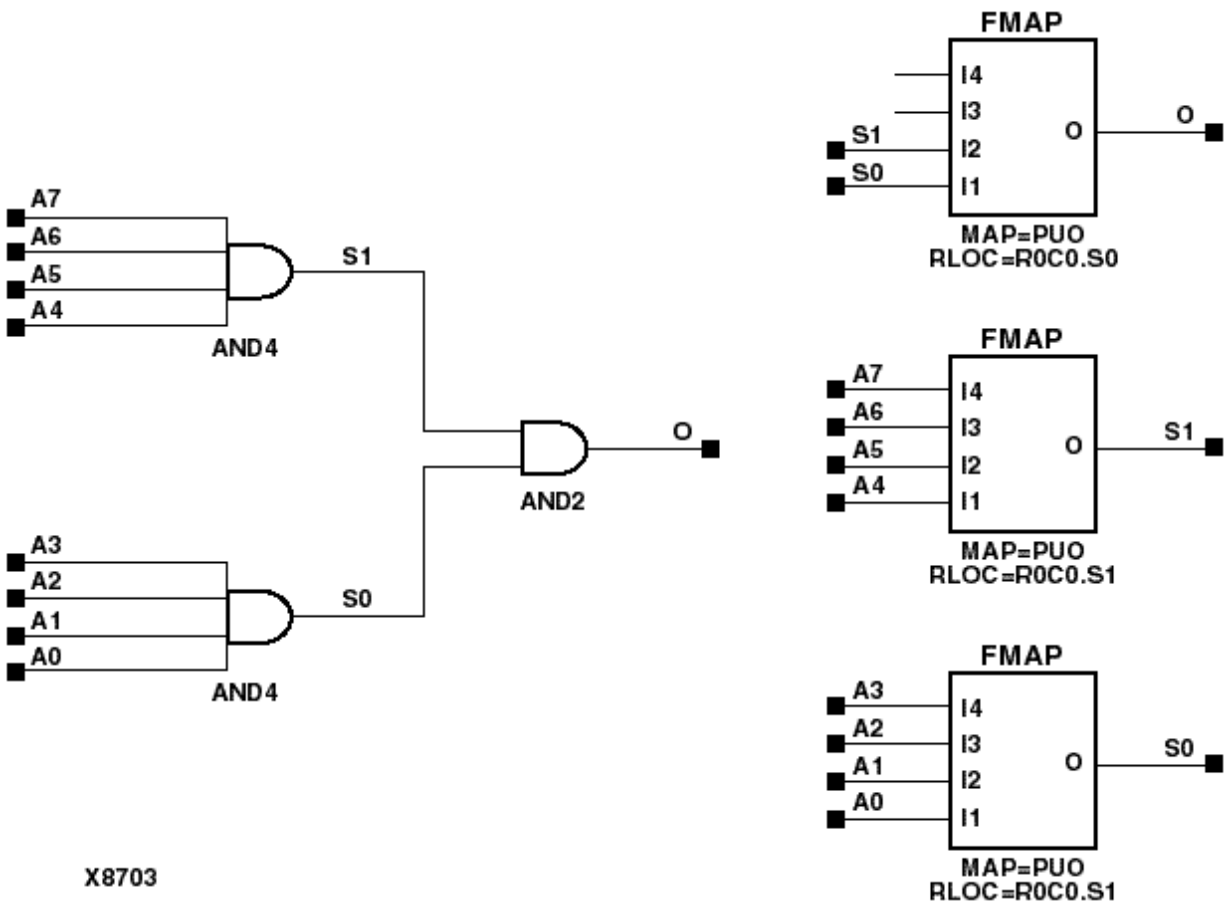


Figure 4-62 DECODE8 Implementation XC5200



X6397

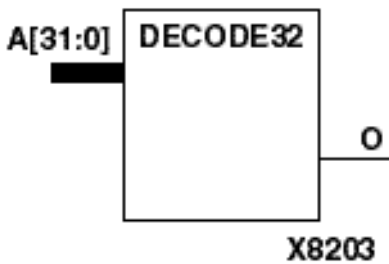
Figure 4-63 DECODE8 Implementation Virtex



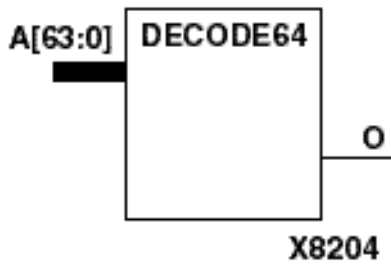
## DECODE32, 64

### 32- and 64-Bit Active-Low Decoders

XC3000	XC4000 E	XC4000 X	XC5200	XC9000	Spartan	Spartan XL	Virtex
N/A	N/A	N/A	Macro	N/A	N/A	N/A	Macro







DECODE32 and DECODE64 are 32- and 64-bit active-low decoders. In XC5200, decoders are implemented by cascading CY\_MUX elements driven by lookup tables (LUTs). When one or more of the inputs are Low, the output is Low. When all the inputs are High, the output is High. You can decode patterns by adding inverters to inputs. Pull-ups cannot be used on XC5200 longlines.

In Virtex, decoders are implemented using combinations of LUTs and MUXCYs.

Refer to the "[DECODE4, 8, 16](#)" section for a representative schematic.

Inputs				Outputs
A0	A1	...	Az	O
1	1	1	1	1
0	X	X	X	0
X	0	X	X	0
X	X	X	0	0

*z* = 31 for DECODE32; *z* = 63 for DECODE64